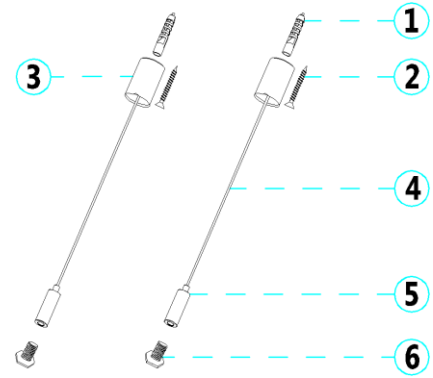


Installation instruction:



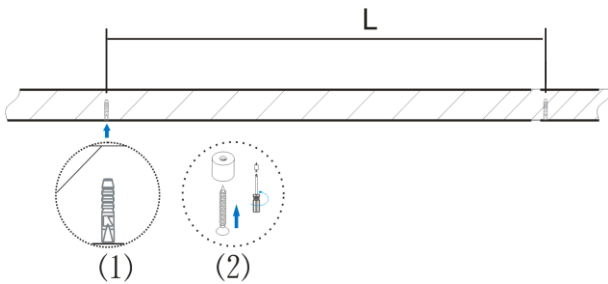
◆ Pendant accessories

- ① Expansion plug-RUS / 2 pcs
- ② Self-tapping screw / 2 pcs
- ③ Davit / 2 pcs
- ④ Pendant wire/ 2 pcs
- ⑤ Hanging head / 2 pcs
- ⑥ hexagonal screw bolt / 2 pcs

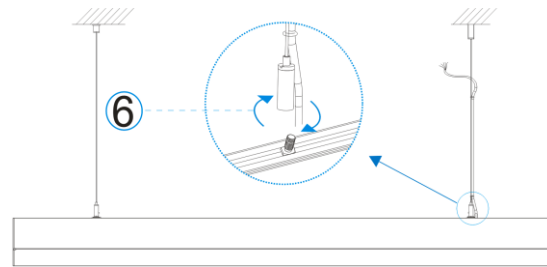


Installation step:

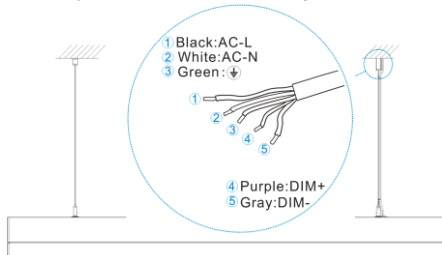
(1) Fix pendant wires on ceiling



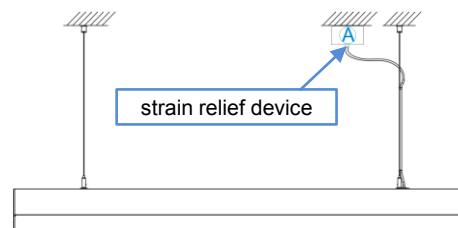
(2) slide hexagonal screw bolt to pendant position and then fix pendant nut tightly



(3) Connect the lamp input line in outlet box according to the color mark corresponding to the city electricity and dimming signal line. strain relief device need to be used before cord entry the outlet box during installation.



(4) Complete installation



Explain: connect to ①、②、③ only if do not need to use dimming function, no need to connect ④、⑤

Note: (A) outlet box and strain relief device (prepare by user)

Pendant installation parameter

Size	1230mm (4.04Ft)	1839mm (6.03Ft)	L2449mm (8.03Ft)
φ6mm/hole scale by "L"	995mm(3.26Ft)±10mm	1340mm(4.40Ft)±10mm	1950mm(6.40Ft)±10mm

Attention:

- Please read instruction seriously before assembly & installation, lighting fixture must be assembled according to instruction by qualified & licensed electrician. Anything unclear please contact to manufacturer or local distributor.
- The electric source must be cut off before assembly & installation or remove.
- The lighting fixture is used only for indoor, the aim to avoid the risk of fire or electric shock, please do not use it for outdoor, vibrant, dusty and high humidity environment.
- The aim to make sure not to shorten the life time of lighting fixture and keep safety, please do not modify, add or change any component.
- Please cut off electric source immediately if any abnormality occur so that avoid any danger or malfunction, and lighting fixture must be checked and repaired by professional technician.