

CBF,SBC-Grid Installation Instructions

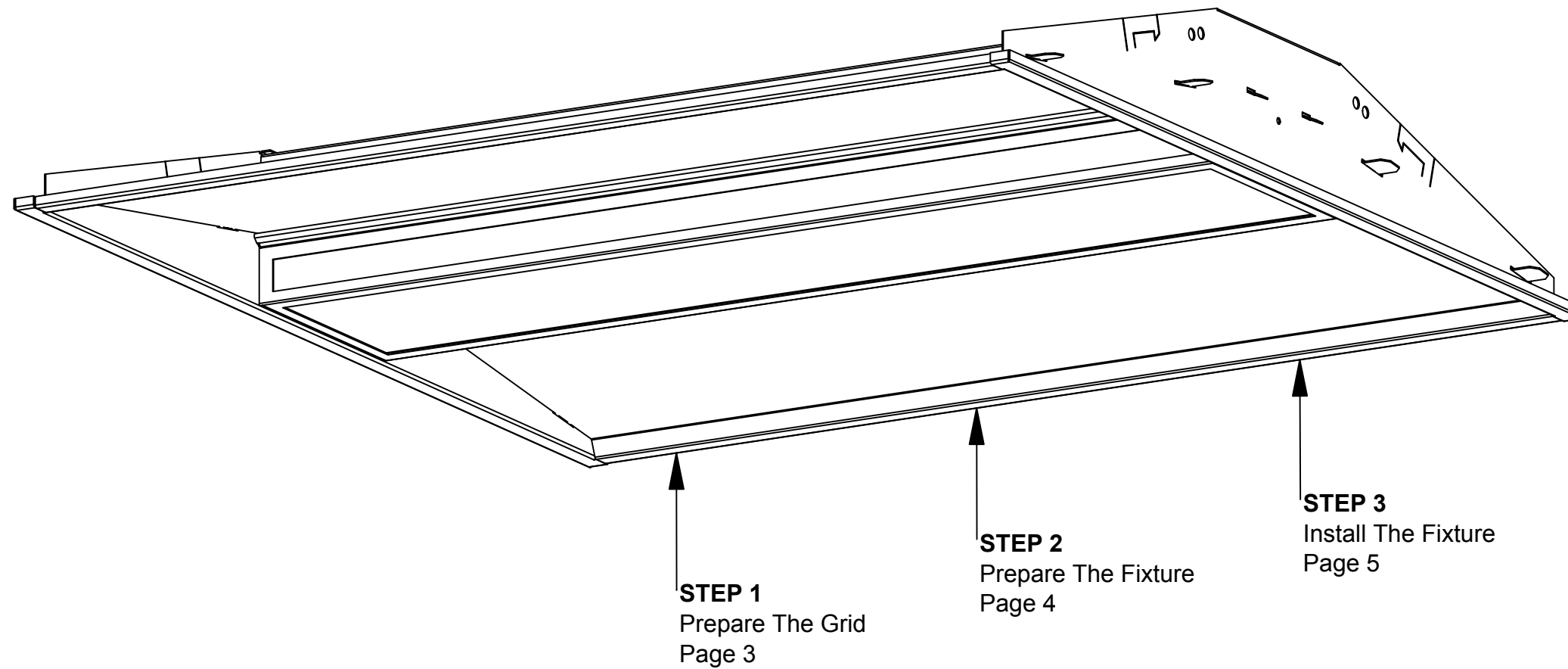
Overview

WARNINGS

- This product must be installed in accordance with all applicable codes by a person familiar with the product.
- Each fixture must be **properly supported** during install.
- **DO NOT** join fixtures on the floor prior to lifting, or damage will occur.
- **Before beginning installation**, review our complete list of warnings by visiting www.saylite.com/warnings.



Texas Fluorescents Reinvented



We believe
in the power
of light.



Your particular build may vary.

2019© Saylite | 2055 Luna Road, Suite 142 Carrollton, Texas 75006 | www.saylite.com

1 of 5

Form BWE - CBF,SBC-Recessed Grid V2 3/19

CBF,SBC-Grid Installation Instructions

Preparation - Tools/Parts Identification



Texas Fluorescents Reinvented

A. Identify Fixtures

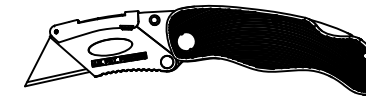


- Use labels found on the box and inside fixture bodies to identify bodies.
- **NOTE:** Locations of labels can vary.
- Remove all fixtures from their boxes.
- Organize fixtures based on their labels at the install location.

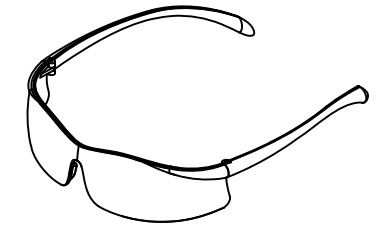
B. Tools Needed



Screwdriver



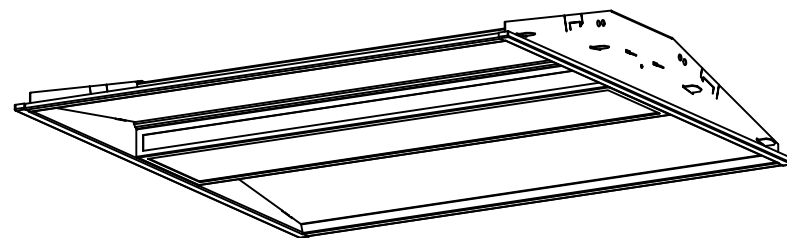
Utility Knife



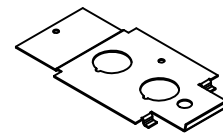
Safety Glasses

- Always use proper safety equipment when installing fixtures.
- Tools shown are recommended for standard install. Tools needed may vary based on actual install location conditions.

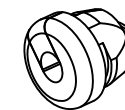
C. Identify Parts



CBF,SBC-Recessed Grid Fixture
(Provided)



Access Plate
PN: 1TTACCESSPLATE



Wire Strain Relief
PN: HEYCO 1210

- Read entire install instructions before beginning installation.
- Unpack all components and arrange in order of install steps.
- For help with installation, please contact us at www.saylite.com or call us at (972) 247-3171.

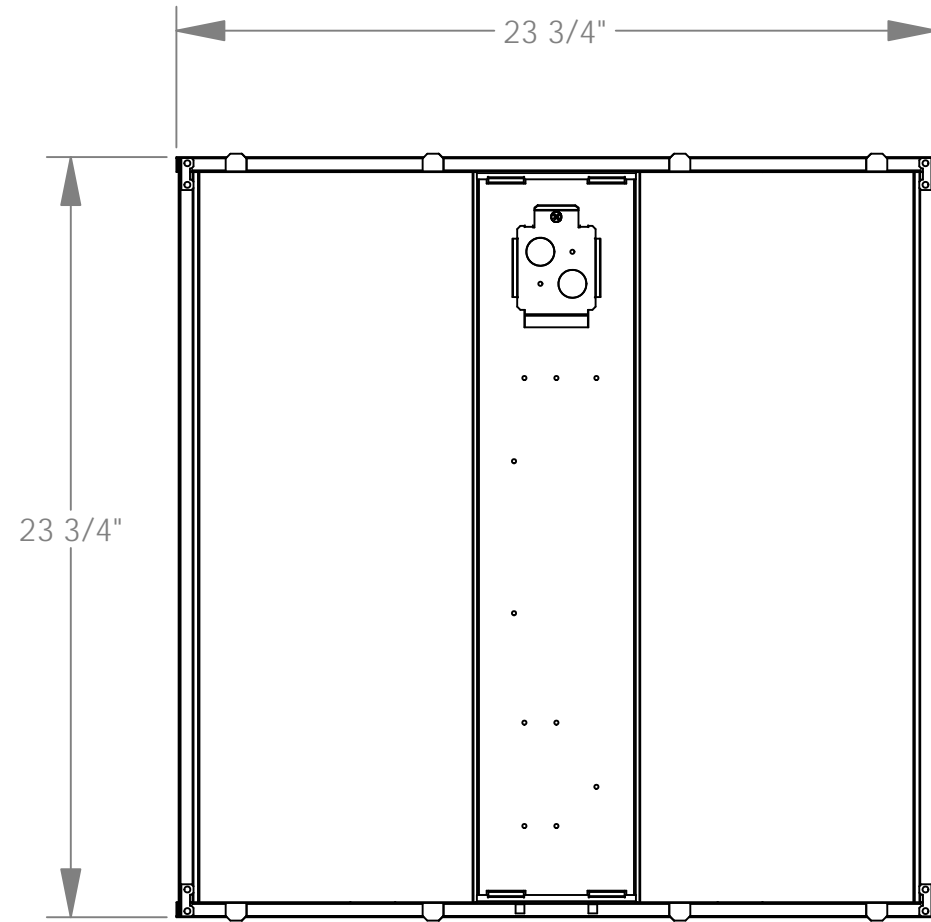
CBF,SBC-Grid Installation Instructions

Step 1 - Prepare The Grid



Texas Fluorescents Reinvented

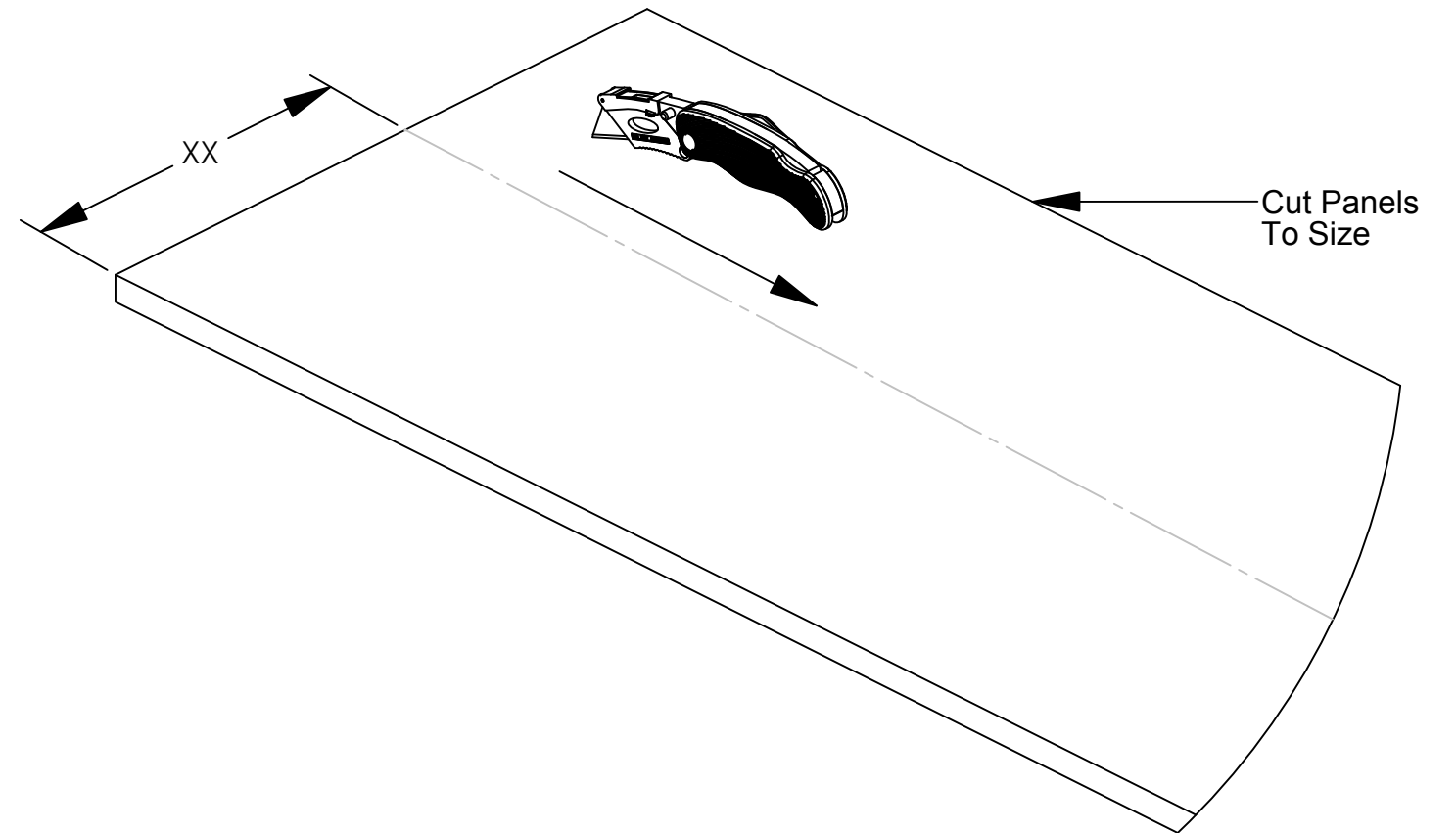
A. Transfer Measurements



Note: 2X2 fixture shown, your fixture may vary.

- Note the length and width dimensions of the fixture, including the pre-installed flange.
- Transfer the dimensions to the grid. Set the grid rails to the proper width.

B. Cut Ceiling Panels



- **Optional:** Cut ceiling panels to fit the custom fixture-spaced grid.

Items Used In This Step



Utility Knife

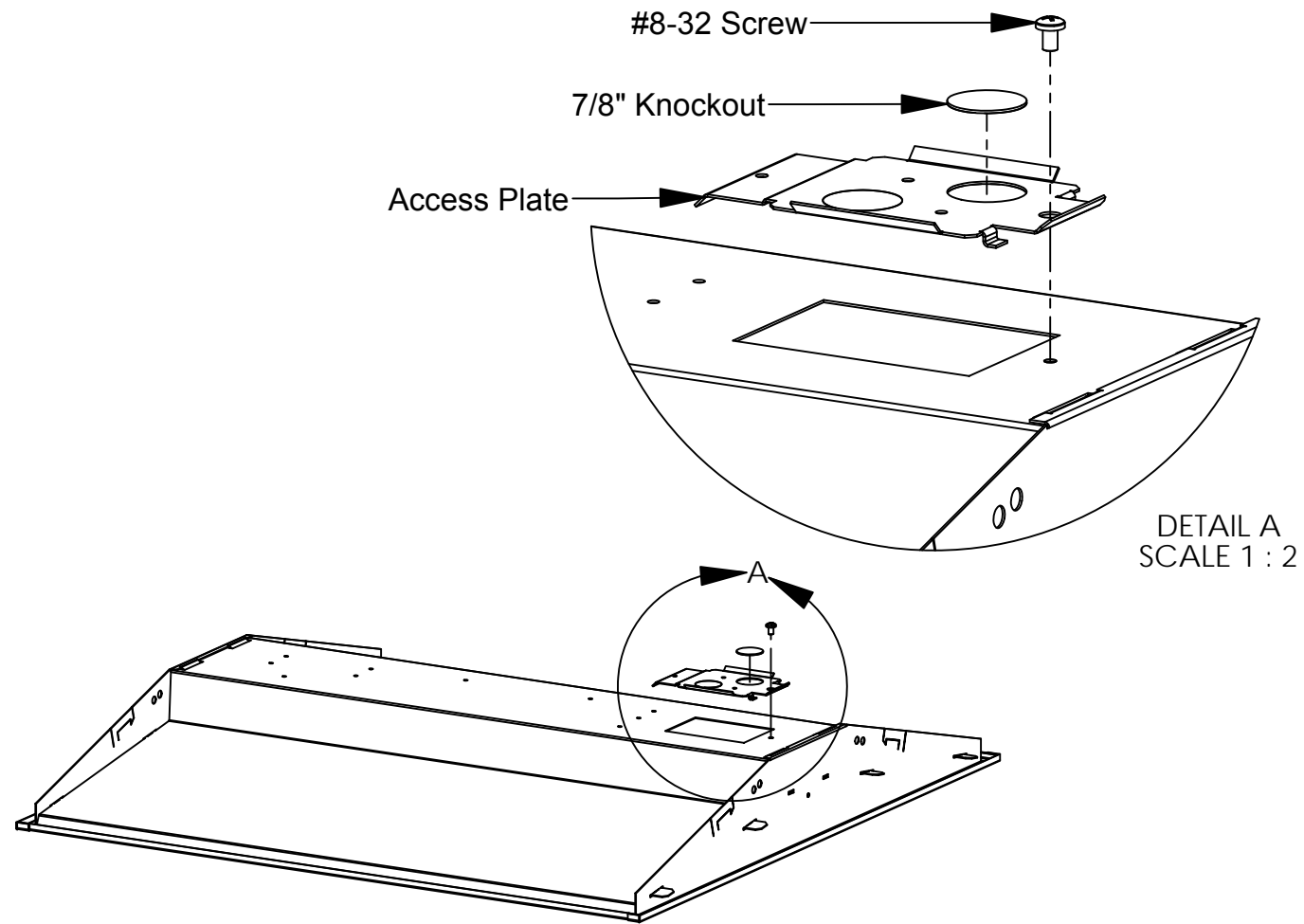
CBF,SBC-Grid Installation Instructions

Step 2 - Prepare The Fixture



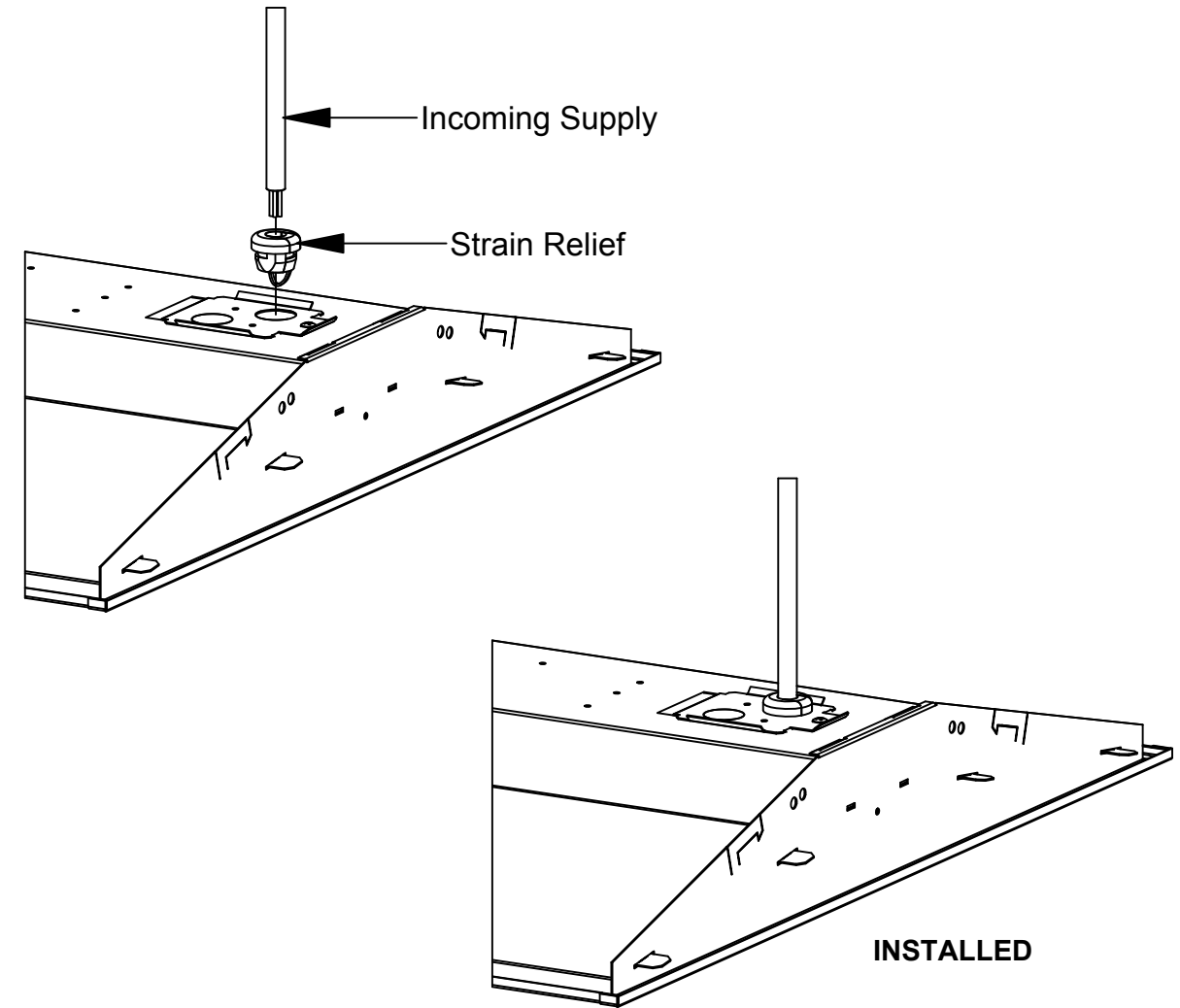
Texas Fluorescents Reinvented

B. Remove 7/8" Knockout



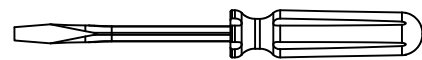
- Remove the access plate by removing the #8-32 screw as shown. Set aside.
- Remove the 7/8" knockout from the desired location using a flat tip screwdriver as shown above.

B. Install Power Cord

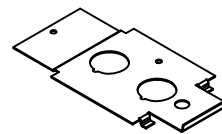


- Wire the incoming supply to the fixture in accordance with all local, state and national codes.
- Install using a 7/8" strain relief as shown above. Reinstall the screw removed in the previous step.

Items Used In This Step



Screwdriver



Access Plate

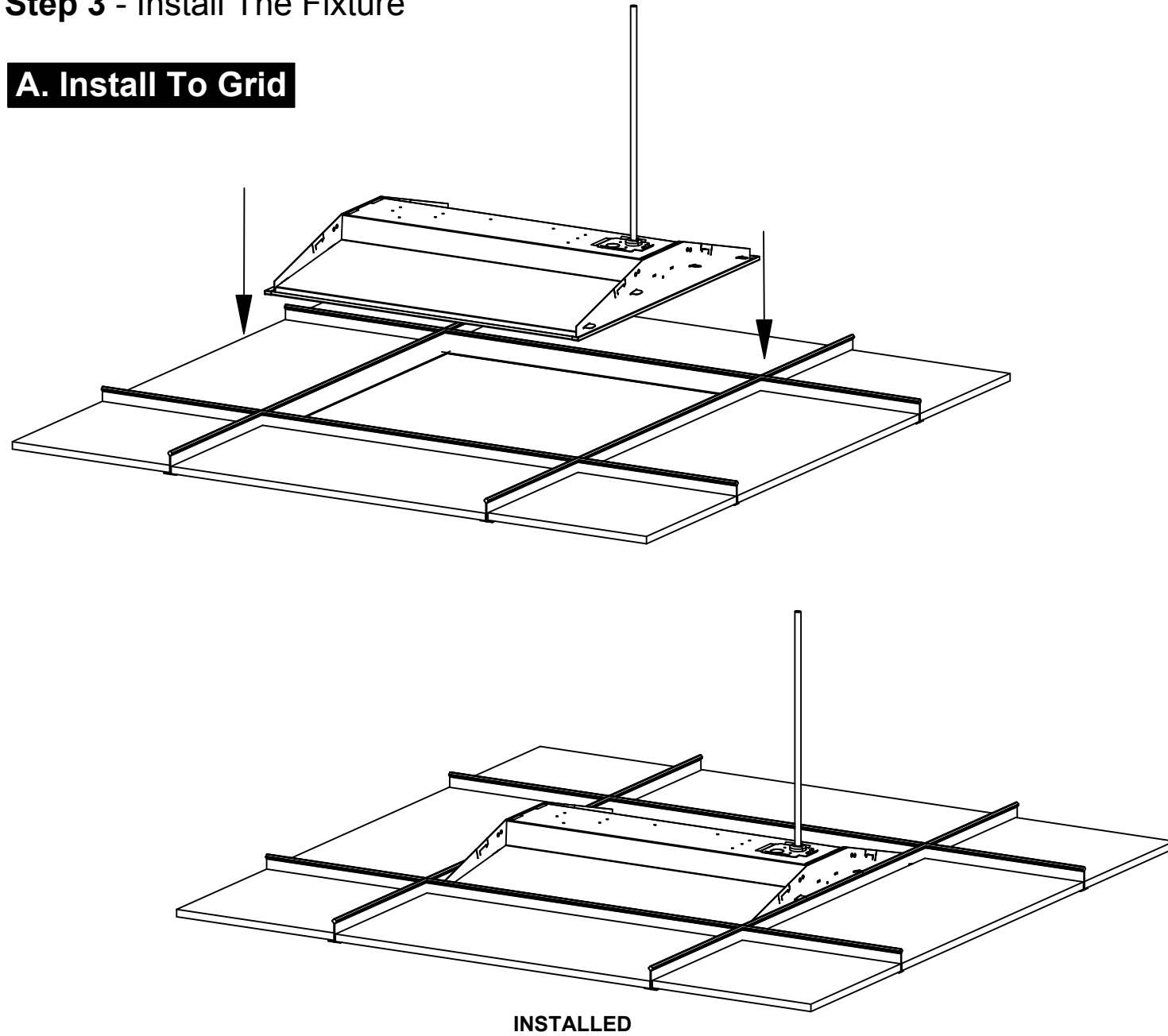


Strain Relief

CBF,SBC-Grid Installation Instructions

Step 3 - Install The Fixture

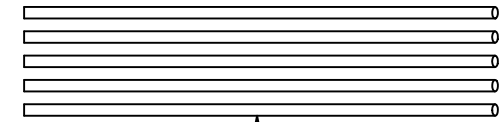
A. Install To Grid



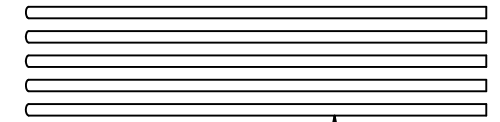
- Lay the fixture in to the grid face down as shown above.
- Ensure the fixture is flush in the grid, that all edges make contact with the grid, and is secure.

Items Used In This Step

B. Wire The Fixture



Fixture Harness
(Factory Installed)



Incoming Supply
(Dimming Optional)

WIRING LEGEND		
Black	Hot	Line Voltage
White	Neutral	Line Voltage
Green	Ground	
Gray	Dimming	0-10V DC
Violet	Dimming	0-10V DC

- Wire the fixture to the incoming supply. Refer to the wiring legend above as needed.
- **Note:** Use UL approved connectors only. Follow all local, state and national codes.
- Install is now complete.