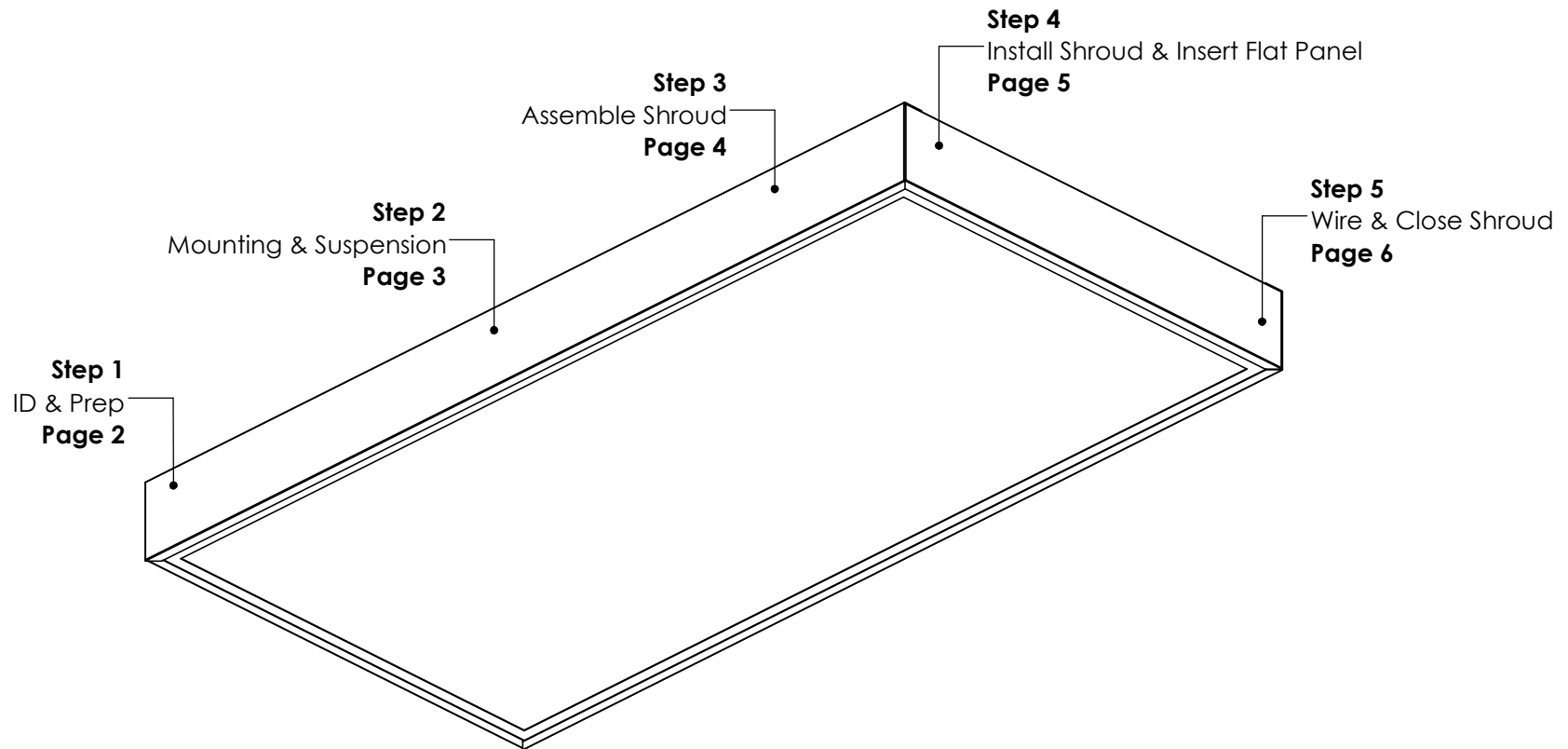


BFP Shroud Installation Instructions

Overview

WARNINGS

- This product must be installed in accordance with all applicable codes by a person familiar with the product.
- Each fixture must be **properly supported** during install.
- **DO NOT** join fixtures on the floor prior to lifting, or damage will occur.
- **Before beginning installation**, review our complete list of warnings by visiting www.saylite.com/warnings.



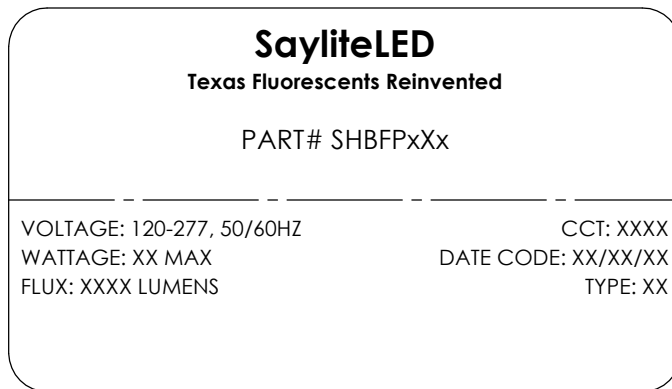
Your particular build may vary.

2022© Saylite | 2055 Luna Road, Suite 142 Carrollton, Texas 75006 | www.saylite.com

BFP Shroud Installation Instructions

Step 1 - Identification & Preparation

A. Identify Fixtures

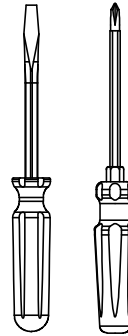


- Use labels found on the box and inside the fixture bodies to identify bodies.
- **NOTE:** Locations of labels can vary.
- Remove all fixtures from their boxes.
- Organize fixtures based on their labels at the install location.

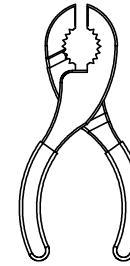
Kitted Hardware

- Saylite has provided the items listed here, with their Saylite part numbers listed. These items can be found in separate boxes shipped with the fixture.
- Ensure all parts are accounted for and set them aside until needed.
- Any additional hardware needed for this installation will be provided by others.

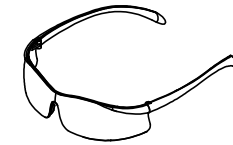
B. Tools Needed



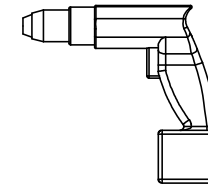
Flat head & Philip's
Screwdriver



Pliers



Safety Glasses



Drill

- Always use proper safety equipment when installing fixtures.
- Tools shown are recommended for standard install. Tools needed may vary based on actual install location conditions.

BFP Shroud Installation Instructions

Step 2 - Mounting & Suspension

Mounting

Drywall or other hard surfaces - Anchored Screws*

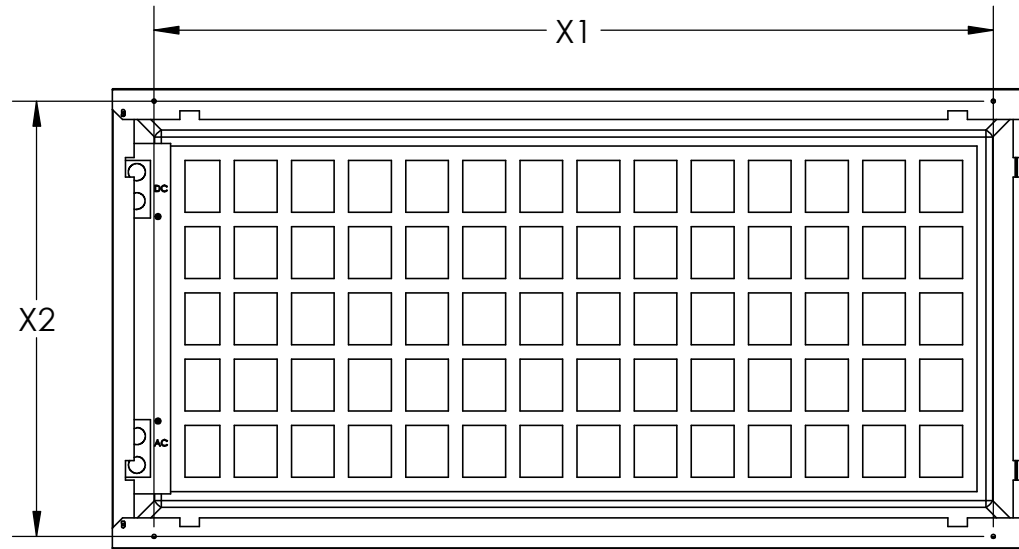
- Install anchors at suspension locations.
- Ensure anchors are secure.
- Prepare fixture for mounting.

Other hard surfaces include: wood, sheet metal panels, steel beams, concrete or masonry. Use hardware appropriate for each surface and material type.

Suspension Locations

X = Suspension Dimensions

Refer to Assembly Drawings and building plans to determine exact mounting, suspension points, and power feed locations.

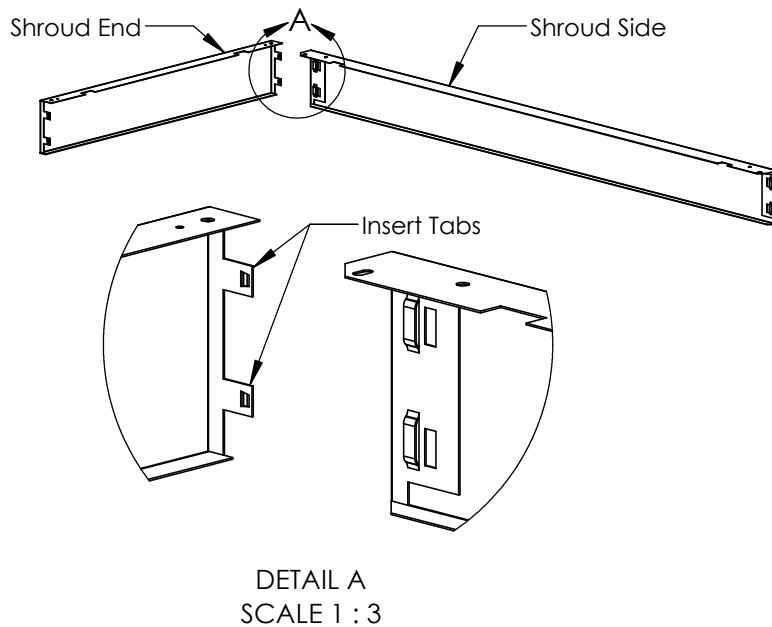


FIXTURE SIZE	X1	X2
1X4	43.71"	10.64"
2X2	19.71"	22.67"
2X4	43.71"	22.67"

BFP Shroud Installation Instructions

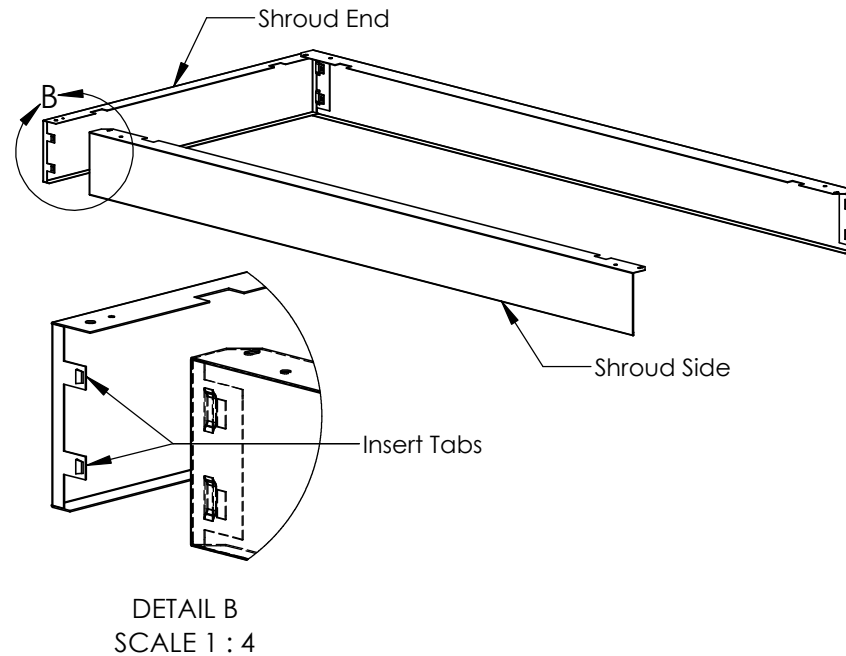
Step 3 - Assemble Shroud

A. Attach Left Shroud Side



- First ensure shroud end and shroud side are both oriented with mounting holes facing same direction.
- Insert left side of shroud to one end piece, slide tabs of end piece into the slots of the shroud side as shown.
- Shroud end piece tabs will snap into place once fully inserted.

B. Attach Right Shroud Side

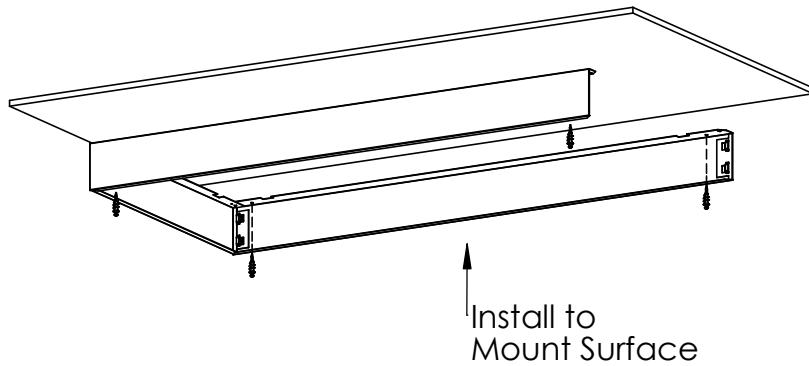


- Ensure shroud end and shroud side are both oriented with mounting holes facing same direction.
- Insert right side of shroud to the first end piece, slide tabs of end piece into the slots of the shroud side as shown.
- Shroud end piece tabs will snap into place once fully inserted.

BFP Shroud Installation Instructions

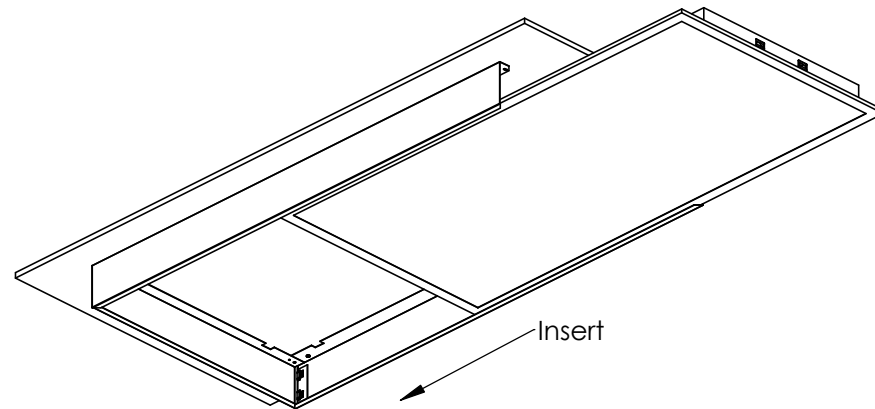
Step 4 - Install Shroud and Insert Flat Panel

A. Install Partial Shroud to Surface



- Install the partially assembled shroud to the mounting surface using appropriate mounting hardware (not provided).
- Drill a thru hole in the mounting surface at the open end of the shroud assembly to allow for power feed supply.

B. Insert Flat Panel to Shroud

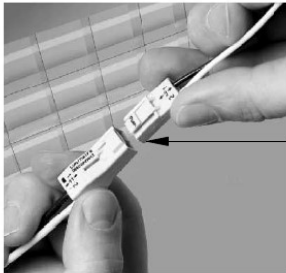


- Prior to inserting the flat panel to the mounted shroud, adjust the wattage and color temperature switches to desired settings.
- Insert the flat panel to the shroud, slide the fixture back into the shroud until it is flush against the back side of the shroud.

BFP Shroud Installation Instructions

Step 5 - Wire Flat Panel & Close Shroud

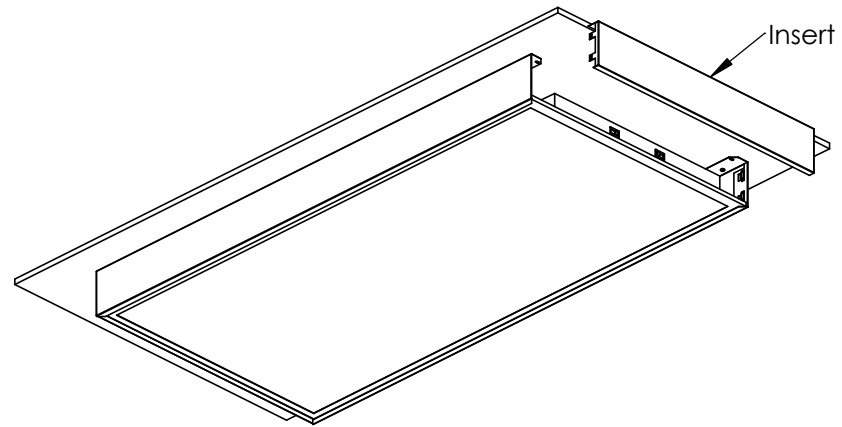
A. Connect Fixture Wiring



WIRING LEGEND		
BLACK	HOT	Line Voltage
WHITE	NEUTRAL	Line Voltage
GREEN	GROUND	
GRAY	DIMMING	0-10V DC
VIOLET	DIMMING	0-10V DC

- **Ensure power feed supply is OFF before wiring the fixture.**
- Wire the fixture to the incoming power supply using the provided quick disconnect clip as shown.
- For dimming option, refer to wiring legend above.
- Use UL approved connectors only. Follow all local, state and national codes.

B. Close Shroud



- Install the final piece of the shroud to the assembly.
- Insert the tabs of the end piece to the slots of both shroud side pieces.
- Fixture installation is now complete.