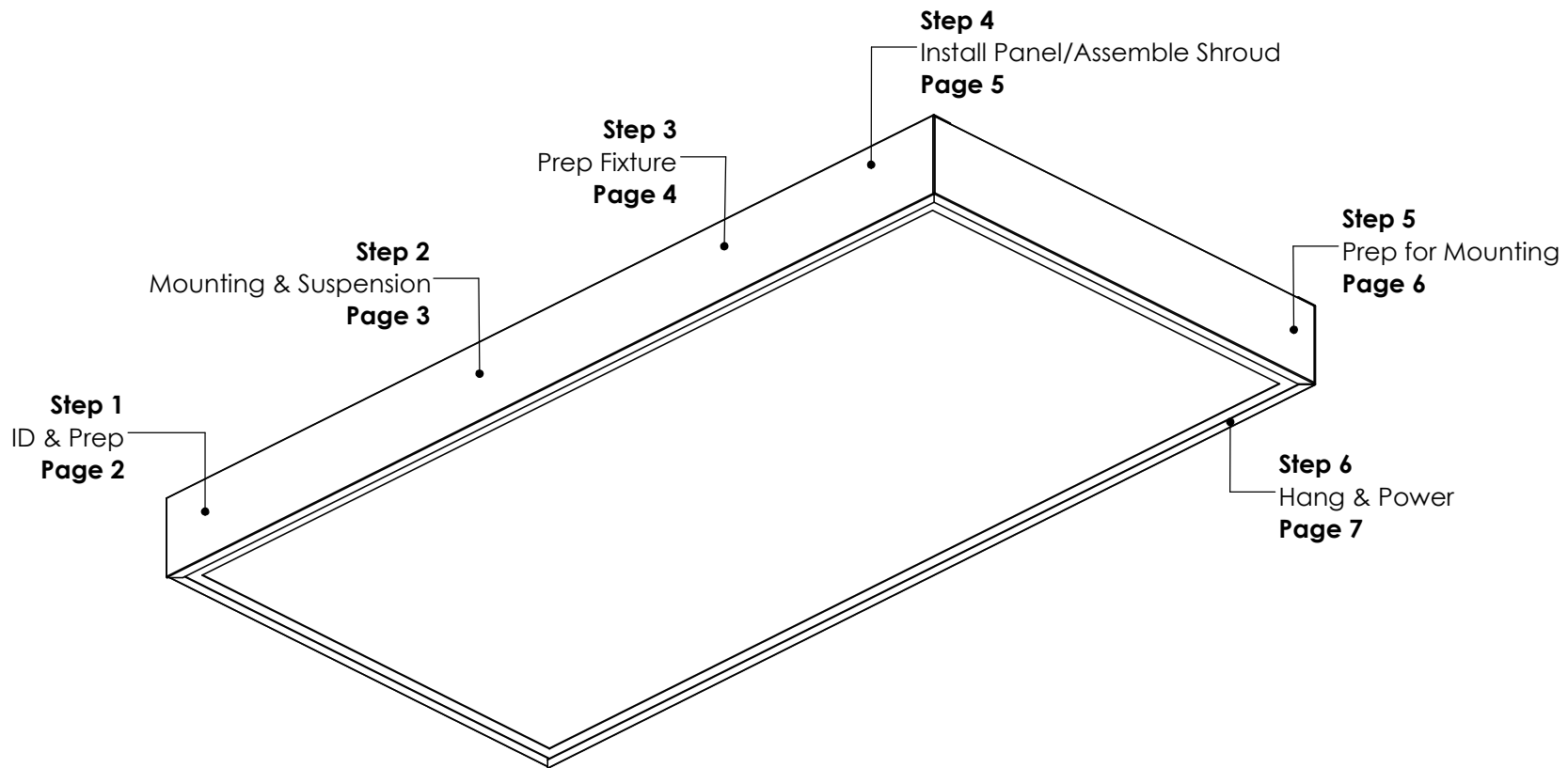


# BFP-Shroud-Pendant Installation Instructions

## Overview

### WARNINGS

- This product must be installed in accordance with all applicable codes by a person familiar with the product.
- Each fixture must be **properly supported** during install.
- **DO NOT** join fixtures on the floor prior to lifting, or damage will occur.
- **Before beginning installation**, review our complete list of warnings by visiting [www.saylite.com/warnings](http://www.saylite.com/warnings).



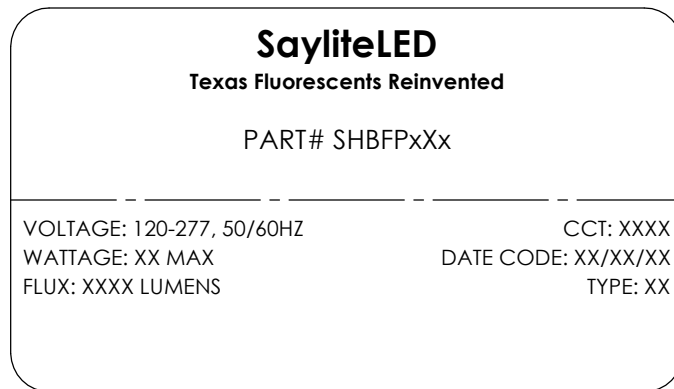
Your particular build may vary.

2022© Saylite | 2055 Luna Road, Suite 142 Carrollton, Texas 75006 | [www.saylite.com](http://www.saylite.com)

# BFP-Shroud-Pendant Installation Instructions

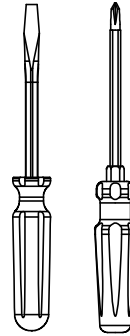
## Step 1 - Identification & Preparation

### A. Identify Fixtures

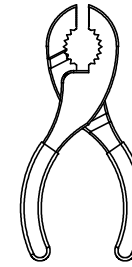


- Use labels found on the box and inside the fixture bodies to identify bodies.
- **NOTE:** Locations of labels can vary.
- Remove all fixtures from their boxes.
- Organize fixtures based on their labels at the install location.

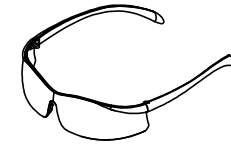
### B. Tools Needed



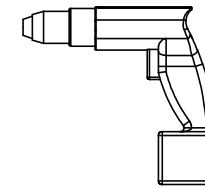
Flat head & Philip's  
Screwdriver



Pliers



Safety Glasses



Drill

- Always use proper safety equipment when installing fixtures.
- Tools shown are recommended for standard install. Tools needed may vary based on actual install location conditions.

### Kitted Hardware

- Saylite has provided the items listed here, with their Saylite part numbers listed. These items can be found in separate boxes shipped with the fixture.
- Ensure all parts are accounted for and set them aside until needed.
- Any additional hardware needed for this installation will be provided by others.

# BFP-Shroud-Pendant Installation Instructions

## Step 2 - Mounting & Suspension

### Mounting

#### Drywall or other hard surfaces - GT310/GT315 Hanging Kit\*

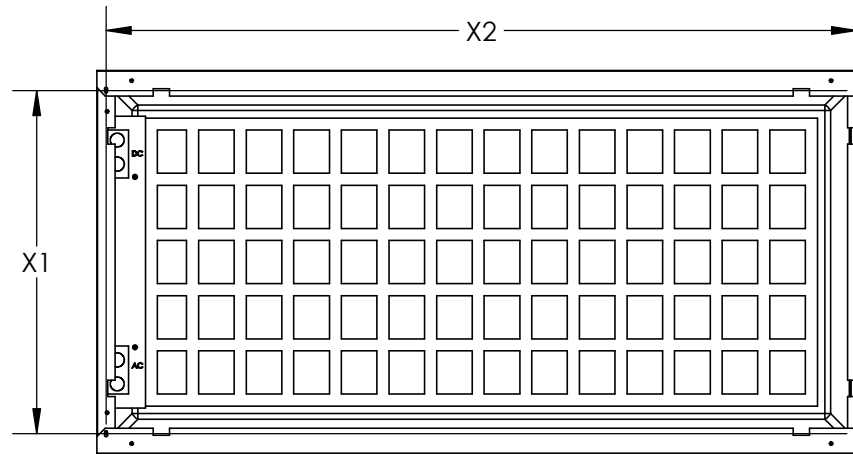
- Install hanging kits at suspension locations.
- Ensure hanging kits are secure.
- Prepare fixture for mounting.

Other hard surfaces include: wood, sheet metal panels, steel beams, concrete or masonry. Use hardware appropriate for each surface and material type.

### Suspension Locations

**X** = Suspension Dimensions

Refer to Assembly Drawings and building plans to determine exact mounting, suspension points, and power feed locations.

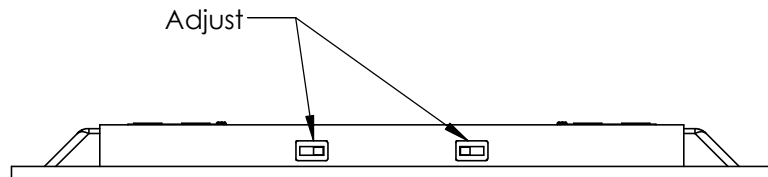


FIXTURE SIZE	X1	X2
1X4	9.40"	46.91"
2X2	21.43"	22.91"
2X4	21.43"	46.91"

# BFP-Shroud-Pendant Installation Instructions

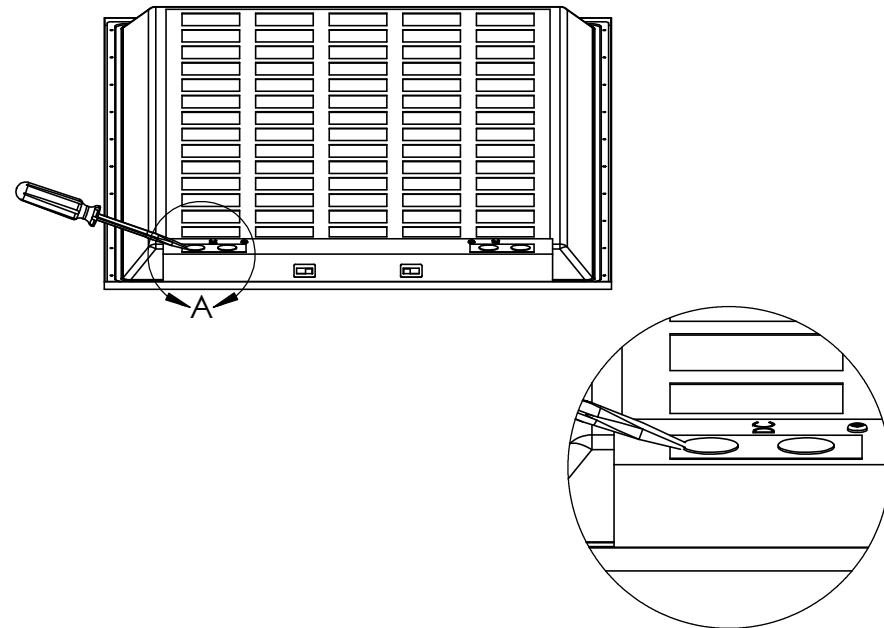
## Step 3 - Prepare Fixture for Installation

### A. Adjust Wattage & CCT



- Adjust the wattage and CCT switches on the fixture to desired levels.

### B. Remove Power Knockout



DETAIL A  
SCALE 1 : 3

- Use a flat head screwdriver to remove desired power knockout on top of fixture.
- Gently pry up on desired knockout to remove knockout and pull fixture wiring out.

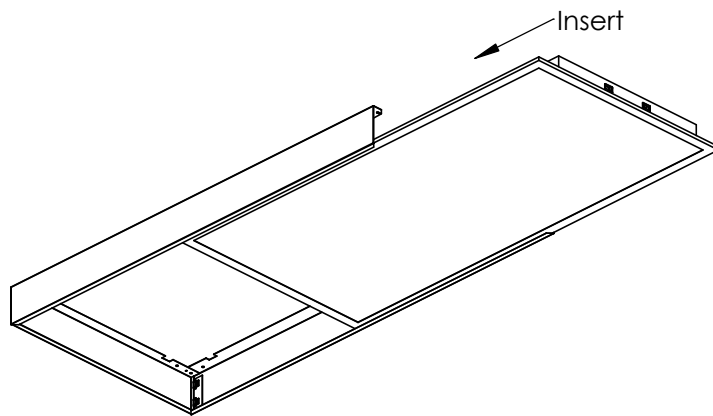
## BFP-Shroud-Pendant Installation Instructions

### Step 4 - Install Flat Panel & Assemble Shroud



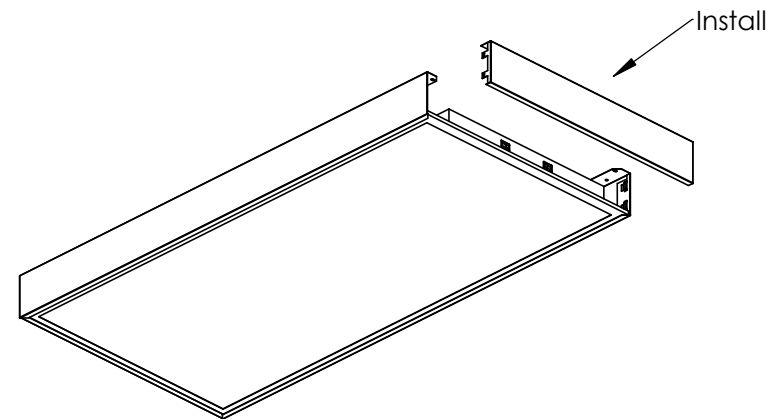
Texas Fluorescents Reinvented

#### A. Insert Fixture to Shroud



- Insert the flat panel fixture to the partially assembled shroud.
- Push the flat panel fixture back into the shroud until the end of the fixture is flush against the back of the shroud.

#### B. Finish Shroud Assembly

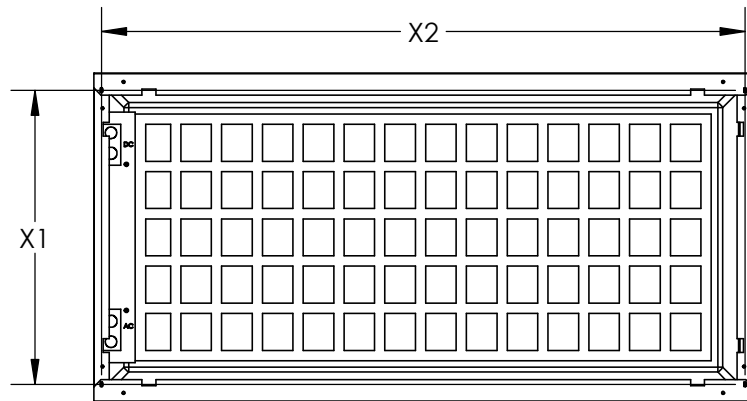


- Install the remaining part of the shroud to the assembly.
- Align the tabs of the end piece with the slots of the shroud sides and slide into place until the end piece snaps into place.

# BFP-Shroud-Pendant Installation Instructions

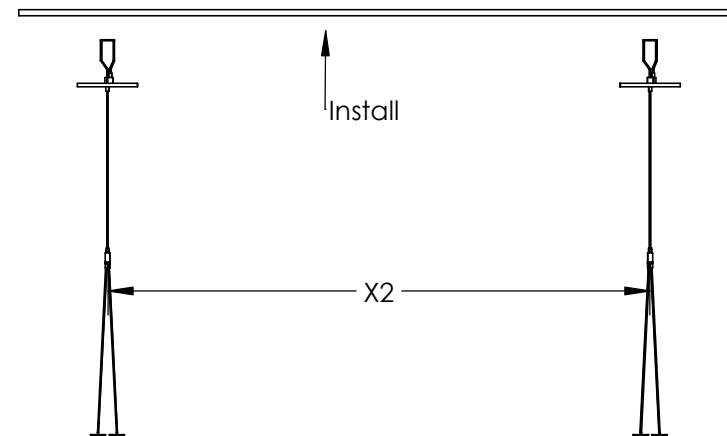
## Step 5 - Prepare for Fixture Mounting

### A. Transfer Fixture Measurements



- Transfer fixture mounting dimensions to mounting surface.
- Refer to provided assembly drawings to determine the mounting dimensions that are appropriate for your fixture(s).

### B. Install Hanging Kits



- Install the hanging kits to the mounting surface using either provided loop gripper kit or a junction box (not provided).
- Ensure that hanging kits are properly secured.
- Refer to hanging kit installation guide for more information.

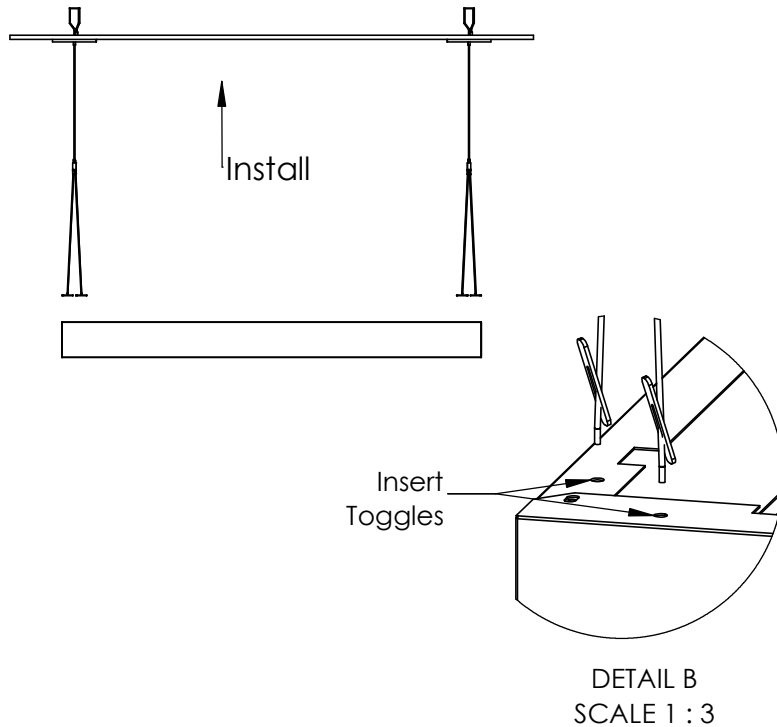
# BFP-Shroud-Pendant Installation Instructions

## Step 6 - Hang Assembly and Power Fixture



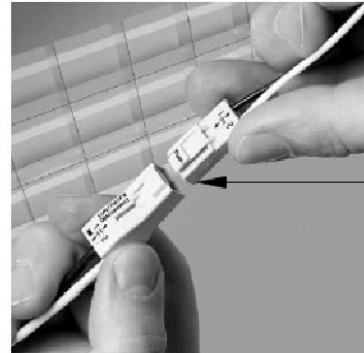
Texas Fluorescents Reinvented

### A. Hang the Assembly



- Hang the assembly from the installed hanging kits.
- Insert the toggle paddles to the holes shown in Detail B. Rotate the toggle paddles as parallel to the cables as possible, then insert to the assigned holes.

### B. Connect Fixture to Power Feed Supply



WIRING LEGEND		
BLACK	HOT	Line Voltage
WHITE	NEUTRAL	Line Voltage
GREEN	GROUND	
GRAY	DIMMING	0-10V DC
VIOLET	DIMMING	0-10V DC

- **Ensure power feed supply is OFF before wiring the fixture.**
- Wire the fixture to the incoming power supply using the provided quick disconnect clip as shown.
- For dimming option, refer to wiring legend above.
- Use UL approved connectors only. Follow all local, state and national codes.
- Fixture installation is now complete.