

44 HEXAGON (SPECIAL) Installation Instructions

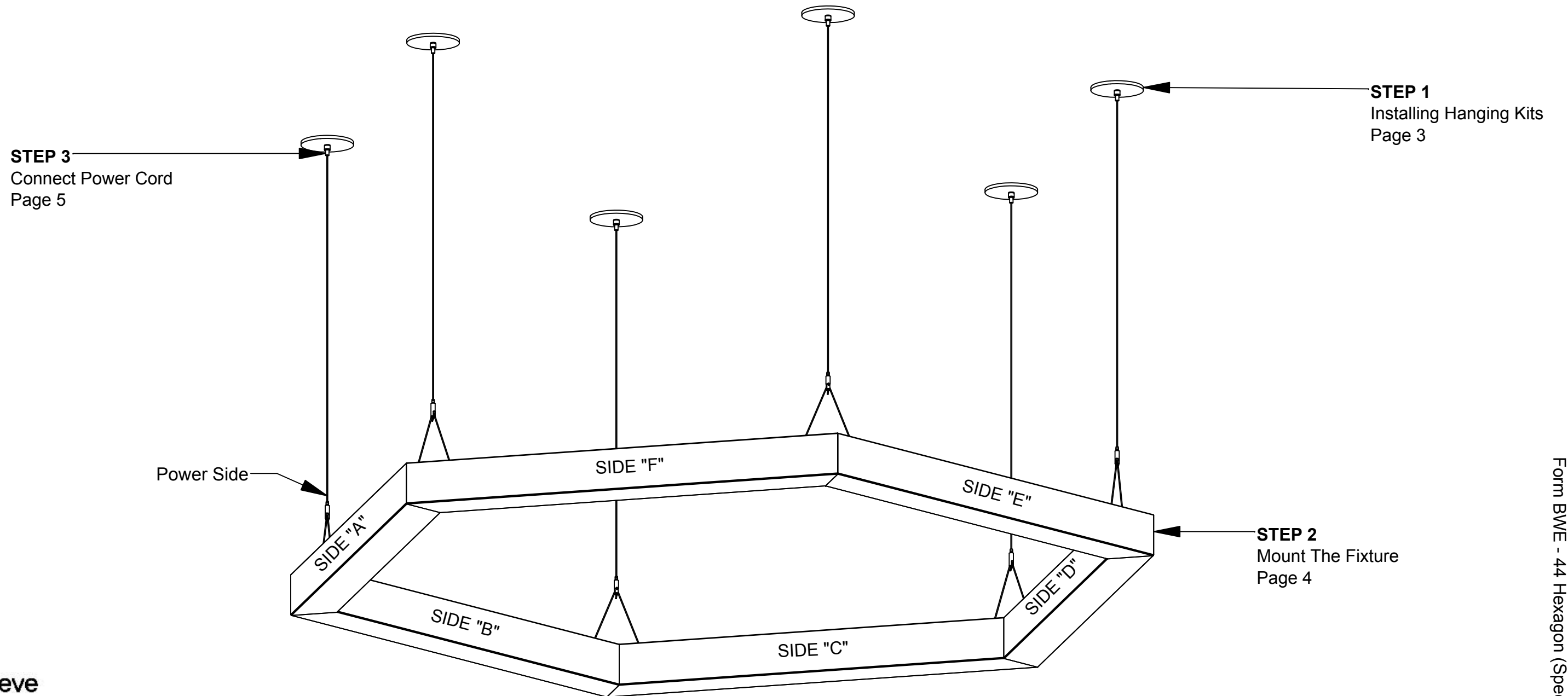
Overview

WARNINGS

- This product must be installed in accordance with all applicable codes by a person familiar with the product.
- Each luminaire must be **properly supported** during install.
- **DO NOT** join fixtures on the floor prior to lifting, or damage will occur.
- **Before beginning installation**, review our complete list of warnings by visiting www.saylite.com/warnings.



Texas Fluorescents Reinvented



We believe
in the power
of light.



Your particular build may vary.

2019© Saylite | 2055 Luna Road, Suite 142 Carrollton, Texas 75006 | www.saylite.com

1 of 5

Form BWE - 44 Hexagon (Special), V2 11/19

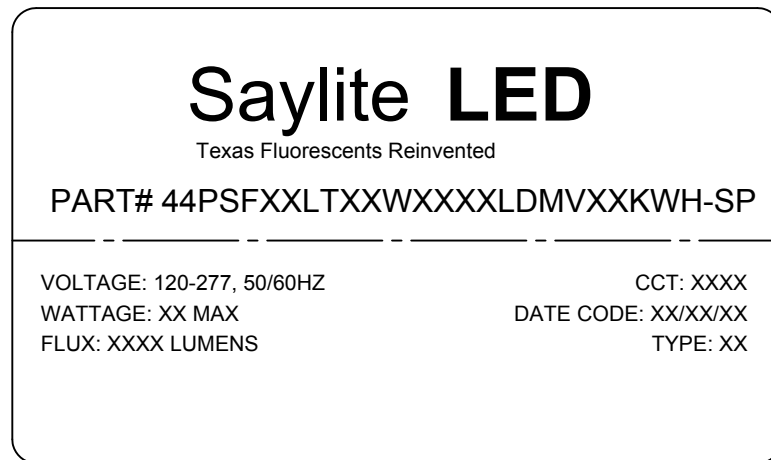
44 HEXAGON (SPECIAL) Installation Instructions

Preparation - Tools/Parts Identification



Texas Fluorescents Reinvented

A. Identify Fixtures

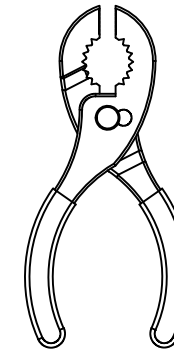


- Use labels found on the box and inside fixture bodies to identify bodies.
- **NOTE:** Locations of labels can vary.
- Remove all fixtures from their boxes.
- Organize fixtures based on their labels at the install location.

B. Tools Needed



Screwdriver



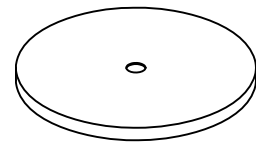
Pliers



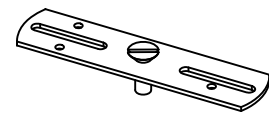
Safety Glasses

- Always use proper safety equipment when installing fixtures.
- Tools shown are recommended for standard install. Tools needed may vary based on actual install location conditions.

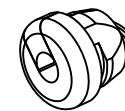
C. Identify Parts



5" White Canopy - Non Power
PN: CBGCAN51W



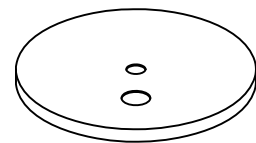
Mounting Bar
PN: HMCGEMBARS1/8GN



Wire Strain Relief
PN: HEYCO 1210



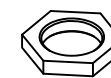
Pendant Cable
PN: PCBL3014FT



5" White Canopy - Power
PN: CBGCAN52W



Pendant Cable Clip
PN: PCC375



301-Pendant Nut
PN: 301PNUT1/2



Pendant Cable Cuff
PN: PCCUF301



Cable End
PN: CBLEND301



Pendant Power Cord
PN: PPC3014FT

- Read entire install instructions before beginning installation.
- Unpack all components and arrange in order of install steps.
- For help with installation, please contact us at www.saylite.com or call us at (972) 247-3171.

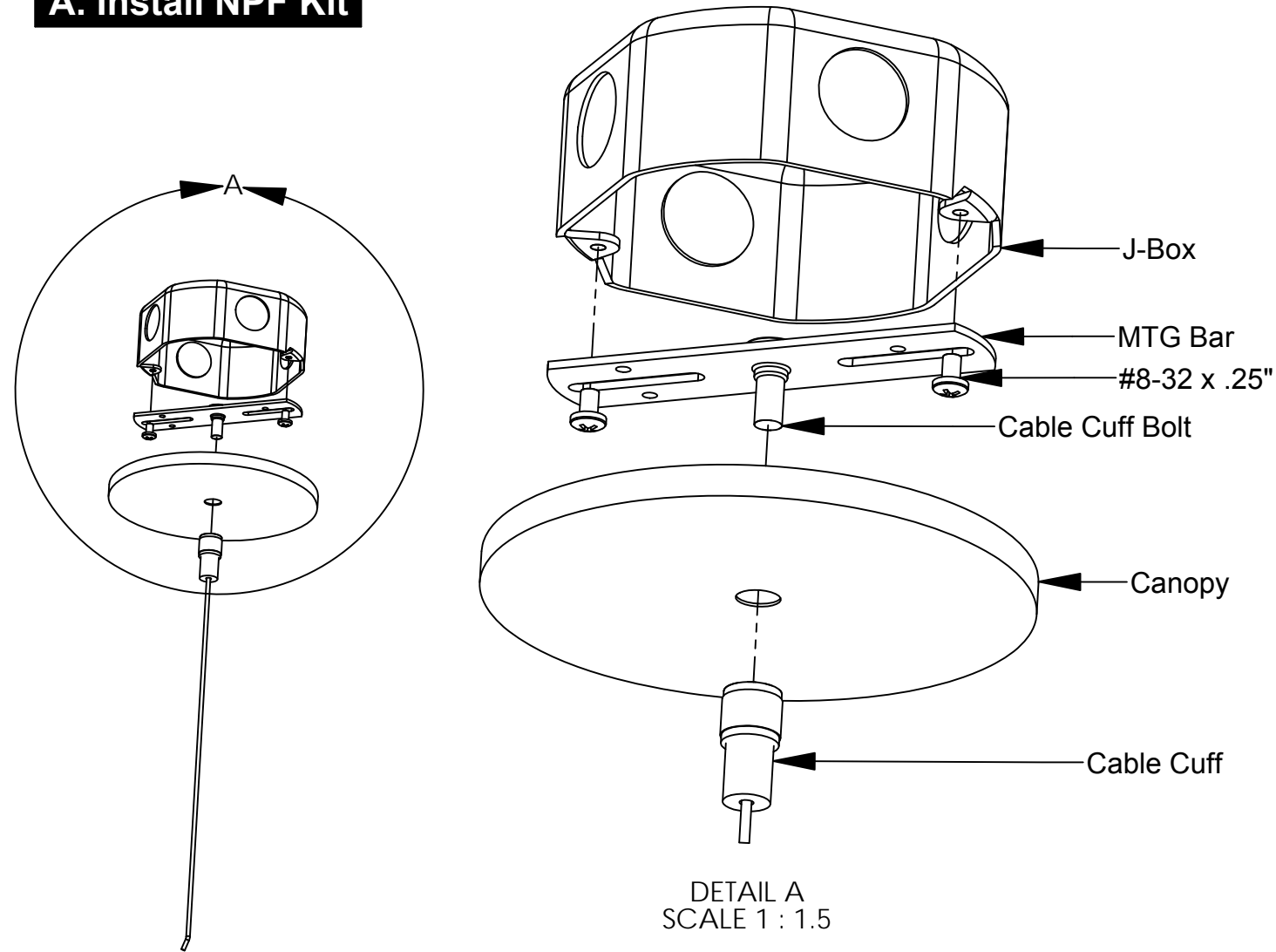
44 HEXAGON (SPECIAL) Installation Instructions

Step 1 - Installing Hanging Kits



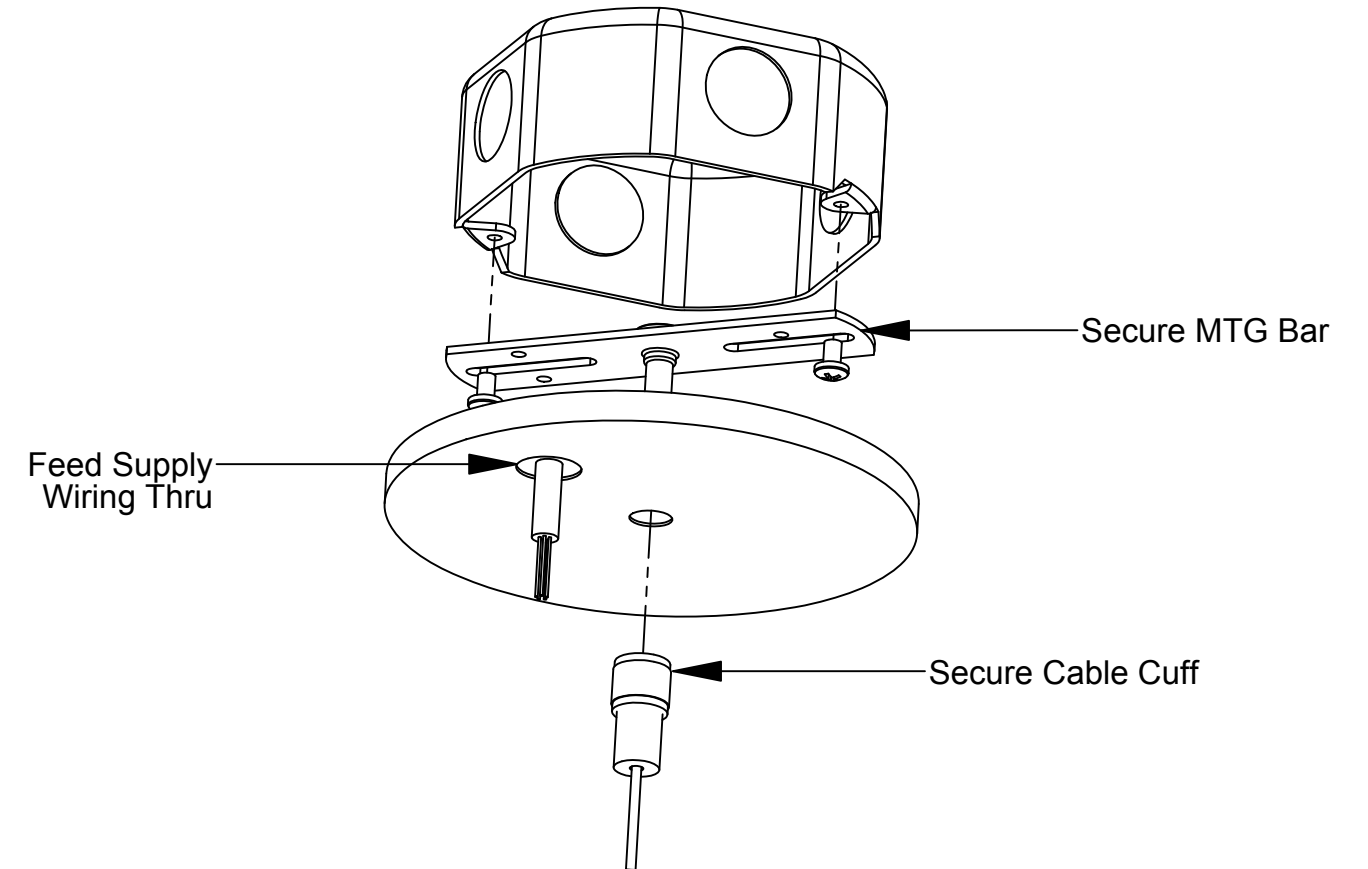
Texas Fluorescents Reinvented

A. Install NPF Kit

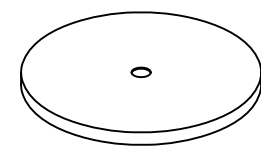


- Secure the mounting bar to the existing J-Box using the (2) #8-32 x .25" machine screws provided.
- Install the canopy over the cable cuff bolt with the outside edge facing upwards.
- Secure the cable cuff to the bolt, and tighten 1/4 turn with pliers.

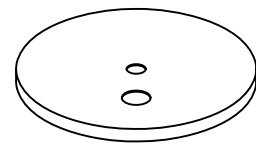
B. Install PF Kit



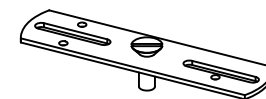
- Repeat the previous steps to install the mounting bar to the J-Box.
- Feed the supply wiring thru the canopy prior to install.
- Repeat the previous steps to install the cable cuff to the bolt.



5" White Canopy - Non Power (Provided)



5" White Canopy - Power (Provided)



Mounting Bar (Provided)



Pendant Cable (Provided)

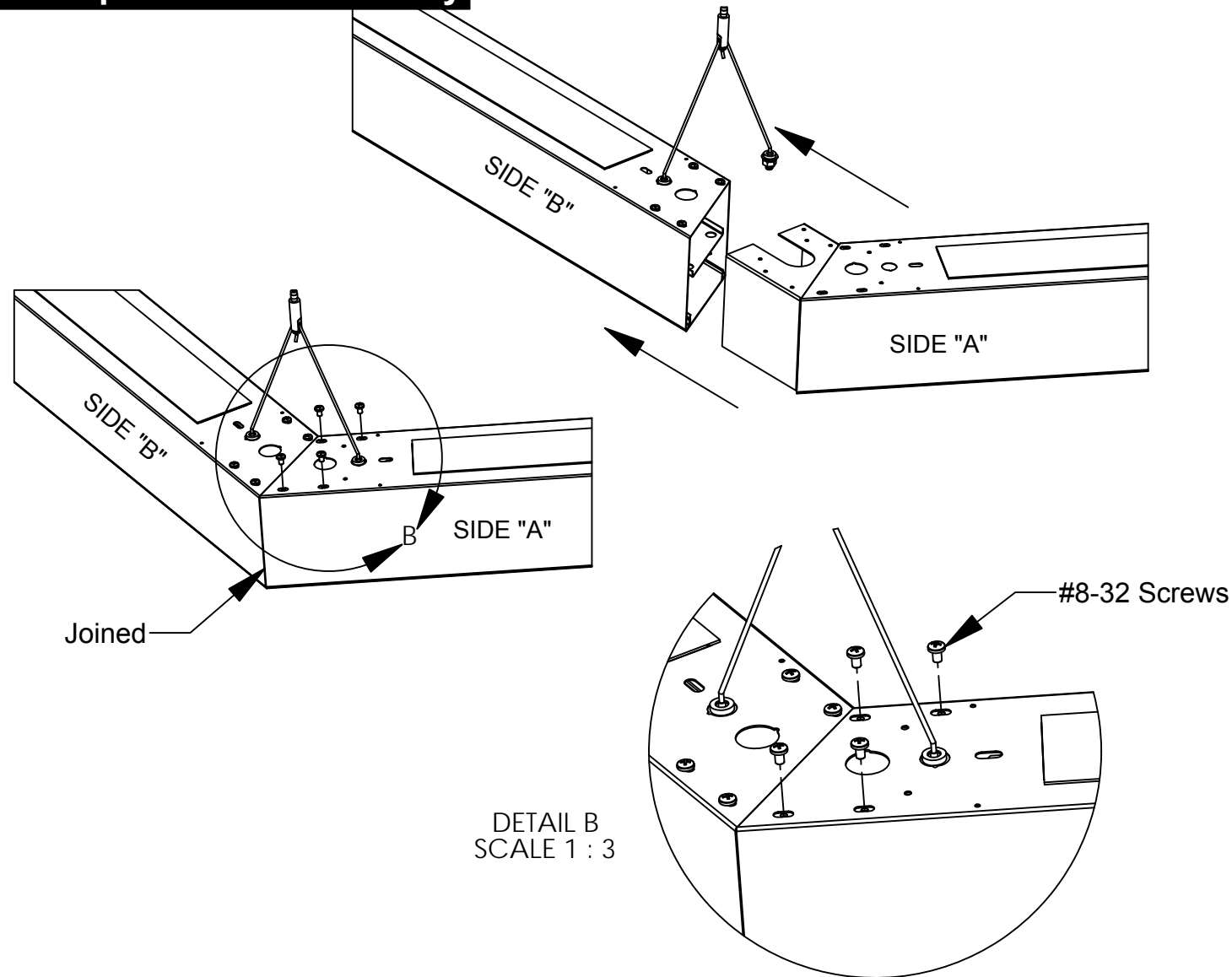
44 HEXAGON (SPECIAL) Installation Instructions

Step 2 - Mount The Fixture



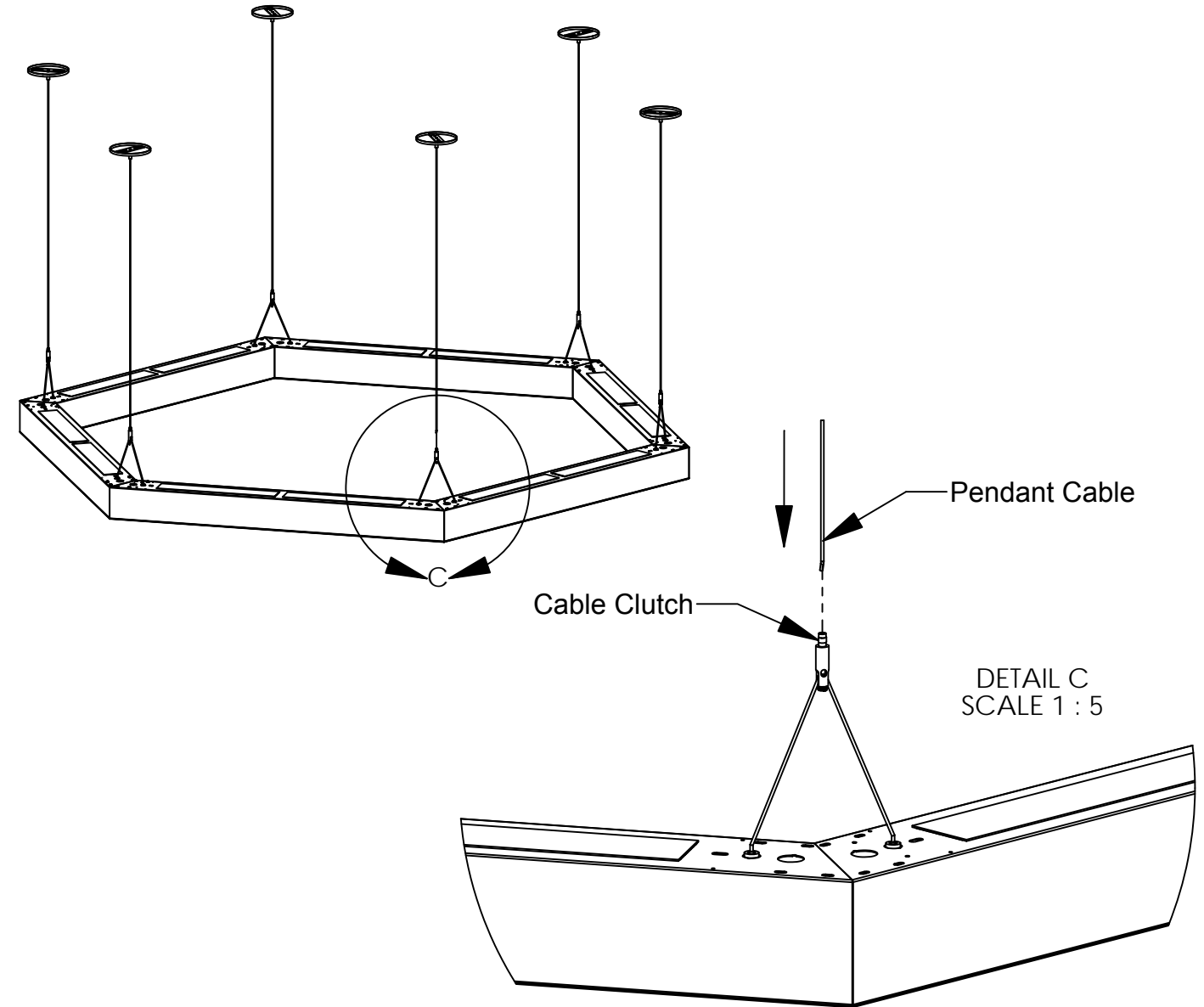
Texas Fluorescents Reinvented

A. Prepare Cable Assembly

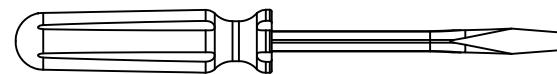


- Fixtures are labeled "A" - "F". Start assembly by positioning side "A" and side "B" as shown.
- Place the loose cable end of the pendant cable assembly inside "A" as shown, secure with pendant nut.
- Connect side "A" to side "B" as shown by lining up the two sides, then gently press together.
- Secure the two sides by installing (4) #8-32 screws as shown. Repeat steps for all remaining sides.

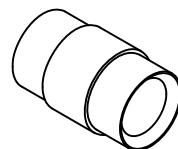
B. Secure The Fixture



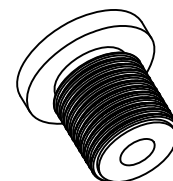
- Lift the fully joined fixture, and install each pendant cable to the "Y" cable gripper as shown.
- Level the fixture at all pendant points by pressing in the cable clutch and adjusting cable length.



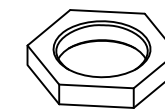
Flat Tip Screwdriver



Pendant Cable Cuff
(Provided)



Cable End
(Provided)



301-Pendant Nut
(Provided)

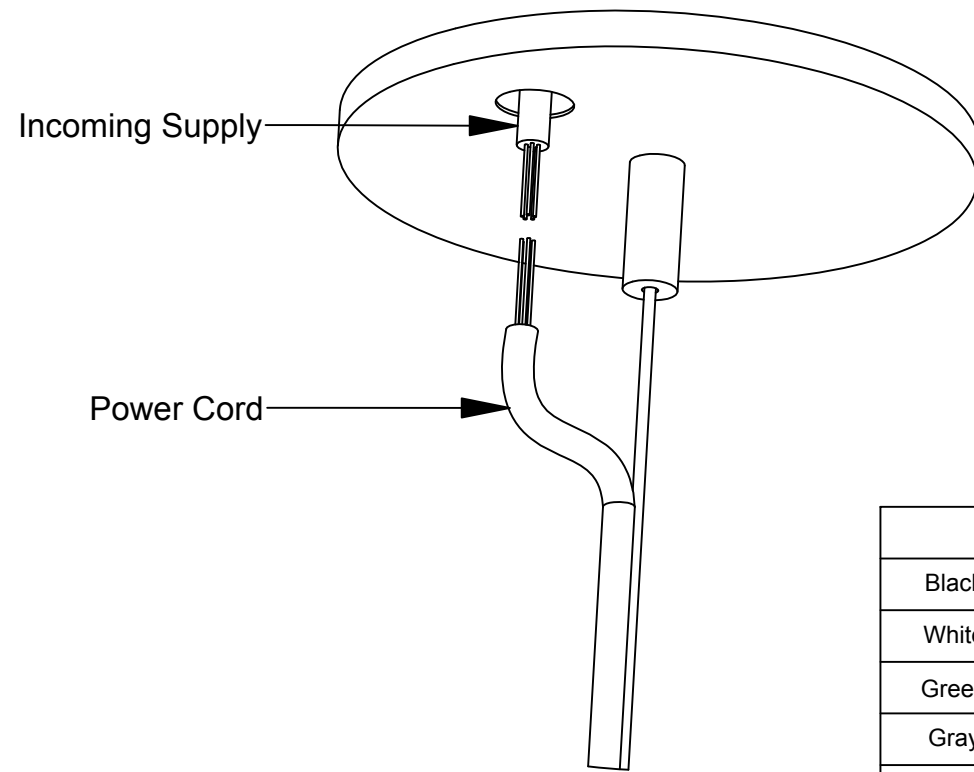
44 HEXAGON (SPECIAL) Installation Instructions

Step 3 - Connect Power Cord



Texas Fluorescents Reinvented

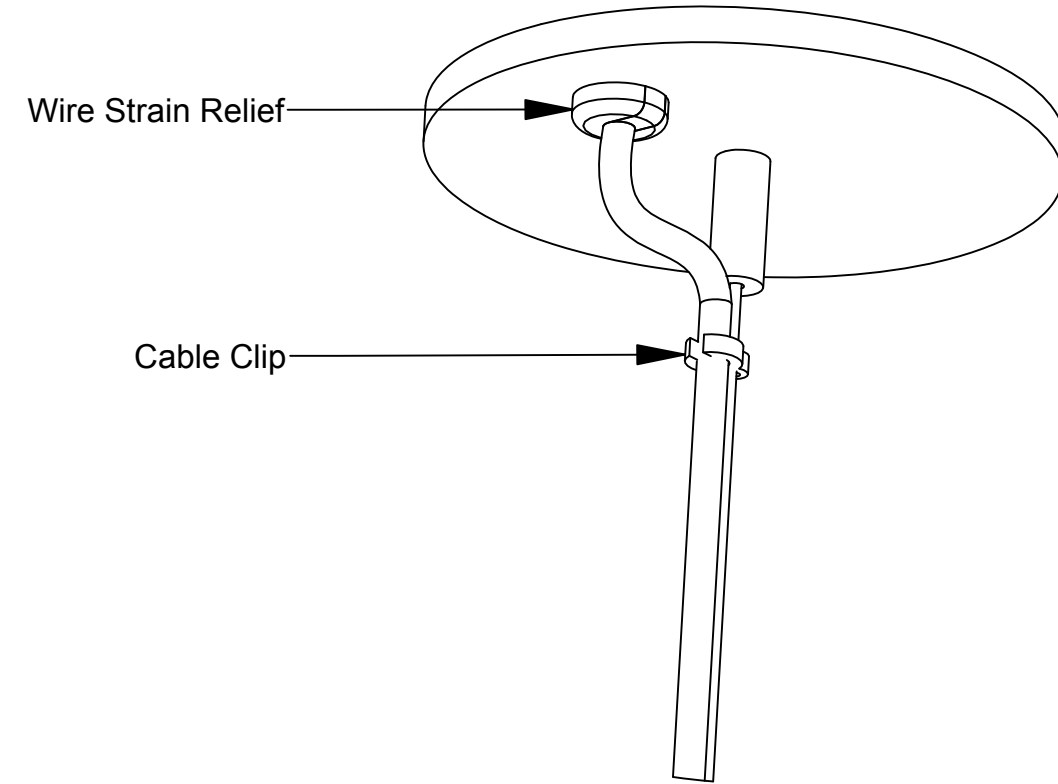
A. Connect The Wires



WIRING LEGEND		
Black	Hot	Line Voltage
White	Neutral	Line Voltage
Green	Ground	
Gray	Dimming	0-10V DC
Violet	Dimming	0-10V DC

- Connect the incoming supply to the power cord by following all local, state and national codes.
- Match wire colors together. Refer to the chart above as needed.

B. Install Grommet / Cable Clip



- After connecting the wires, feed the connections back in to the J-Box.
- Install the wire strain relief, and press in to the opening until it clicks in to place.
- Install the cable clip as shown above. Install is now complete.



Pendant Cable Clip
(Provided)



Wire Strain Relief
(Provided)



Pendant Power Cord
(Provided)