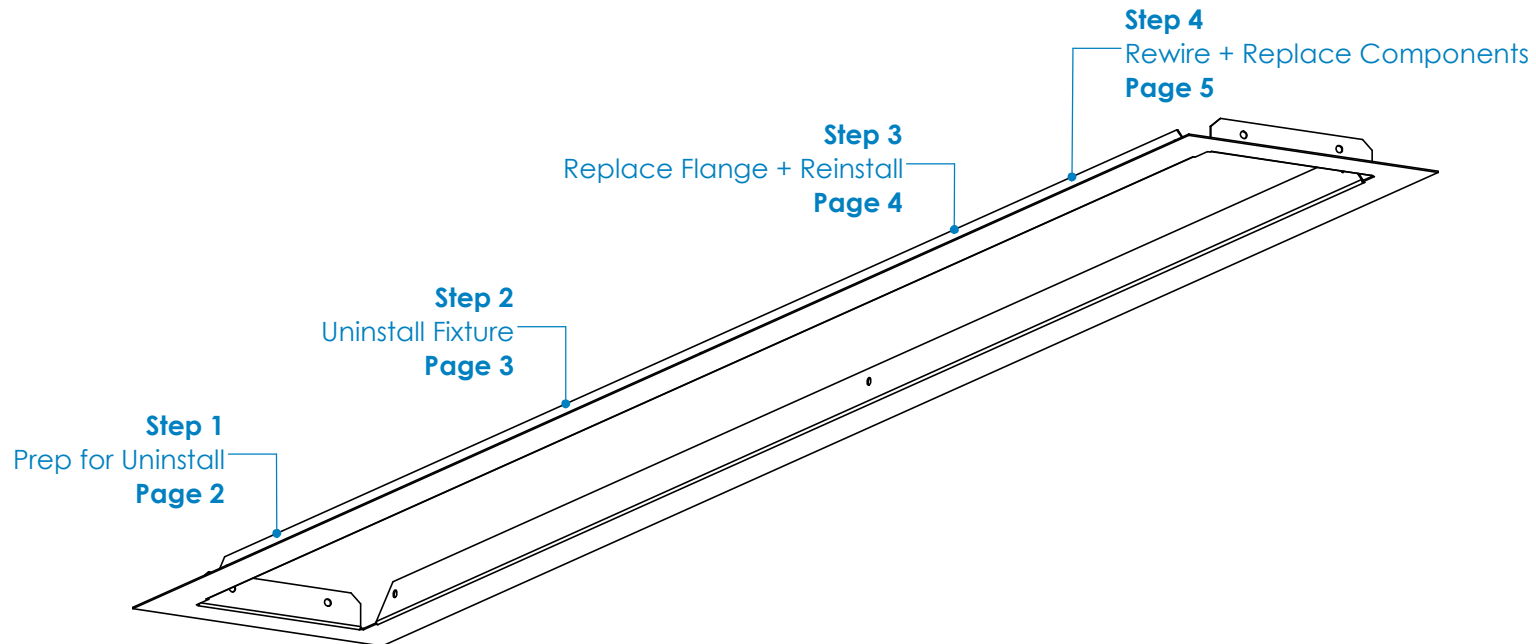


44-66 Recessed Flange Replacement Instructions Overview

WARNINGS

- This product must be installed in accordance with all applicable codes by a person familiar with the product.
- Each fixture must be **properly supported** during install.
- **DO NOT** join fixtures on the floor prior to lifting, or damage will occur.
- **Before beginning installation**, review our complete list of warnings by visiting www.saylite.com/warnings.



Your particular build may vary.

2020© Saylite | 2055 Luna Road, Suite 142 Carrollton, Texas 75006 | www.saylite.com

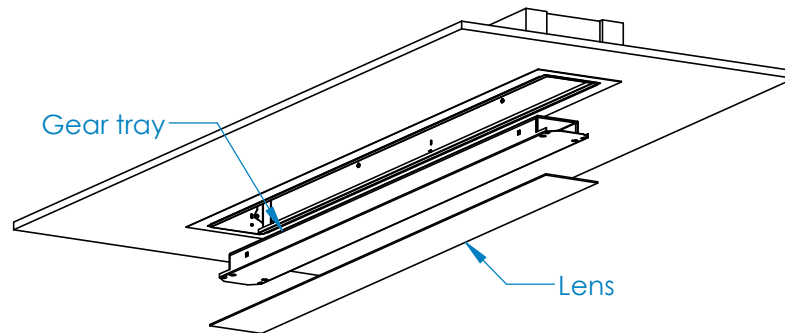
44-66 Recessed Flange Replacement Instructions

Step 1 - Prepare Fixture to Uninstall



Texas Fluorescents Reinvented

A. Remove Internal Components



- Turn power off to fixture, then remove lens from the fixture by gently prying outward.
- Next, uninstall the gear tray assembly from the fixture by removing the screws located at each end of the fixture.

B. Disconnect Power

WIRING LEGEND		
BLACK	HOT	Line Voltage
WHITE	NEUTRAL	Line Voltage
GREEN	GROUND	
GRAY	DIMMING	0-10V DC
VIOLET	DIMMING	0-10V DC

- Ensure power is off to the fixture, then disconnect power feed wiring from fixture wiring.
- Pull fixture wiring back inside fixture and push out power feed wiring.

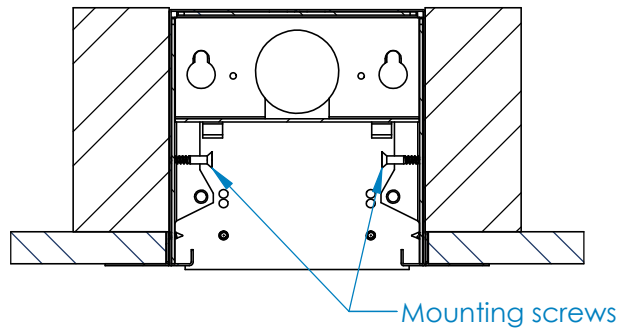
44-66 Recessed Flange Replacement Instructions

Step 2 - Uninstall Fixture



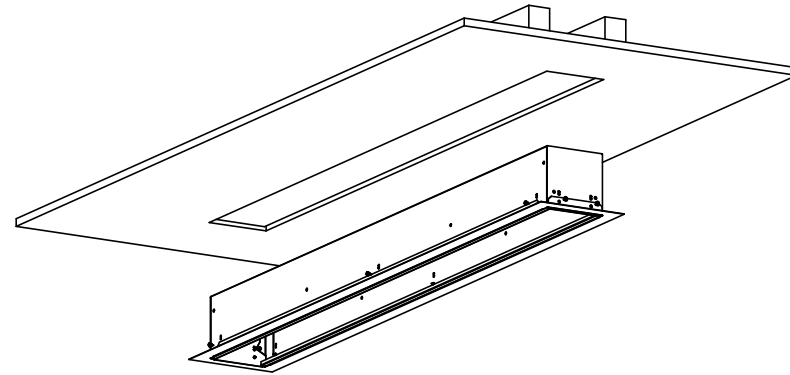
Texas Fluorescents Reinvented

A. Remove Mounting Screws



- Remove the mounting screws from the pan to remove it from the support stud(s).
- Set screws aside to save for reinstalling fixture.

B. Pull Out Fixture Pan



- After removing the mounting screws, pull the fixture down out of the cutout carefully.
- Set fixture on a clean, flat surface to continue flange replacement.

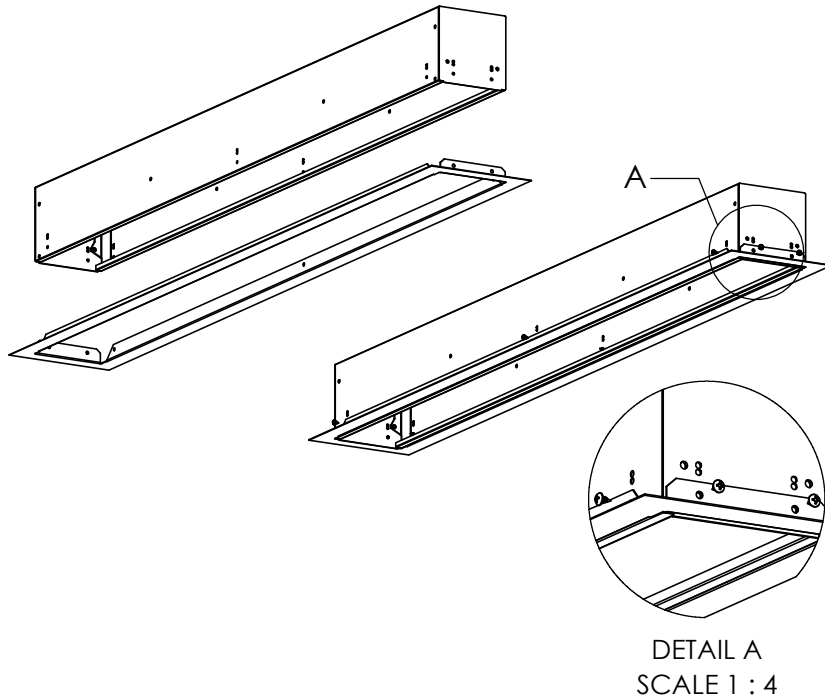
44-66 Recessed Flange Replacement Instructions

Step 3 - Replace Flange and Reinstall Fixture



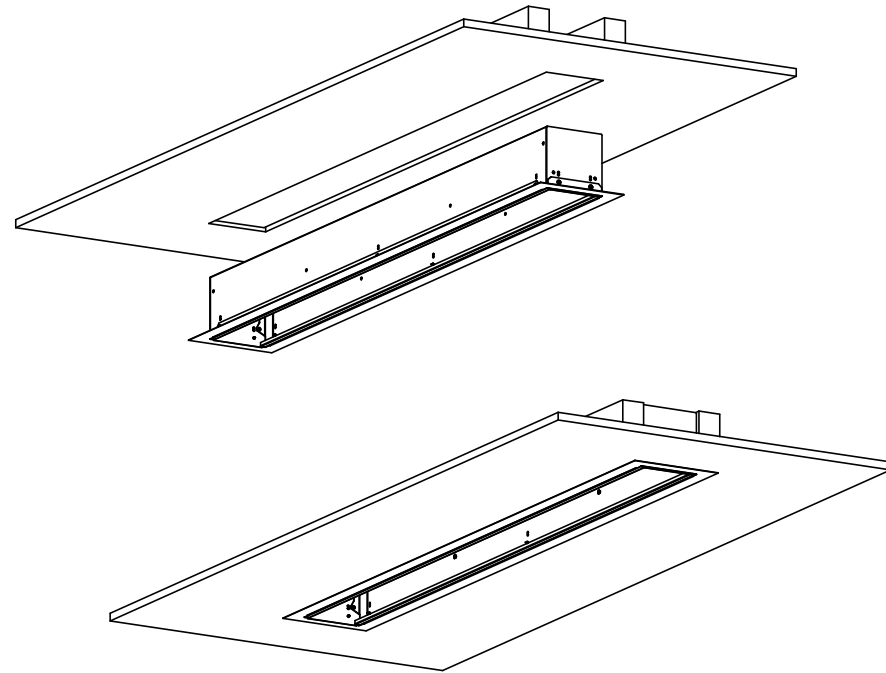
Texas Fluorescents Reinvented

A. Replace Flange



- Remove the existing flange from the fixture pan by uninstalling the screws securing it to the pan.
- Install the new flange to the fixture pan, use the screws from the previous flange to secure the new flange to the fixture pan.
- Ensure the new flange is installed to the same mounting holes as the previous flange.

B. Reinstall Fixture



- Reinstall the fixture pan to the mounting surface. Secure the pan to the support stud(s) using the mounting screws removed in previous steps.

44-66 Recessed Flange Replacement Instructions

Step 4 - Rewire Fixture and Replace Components



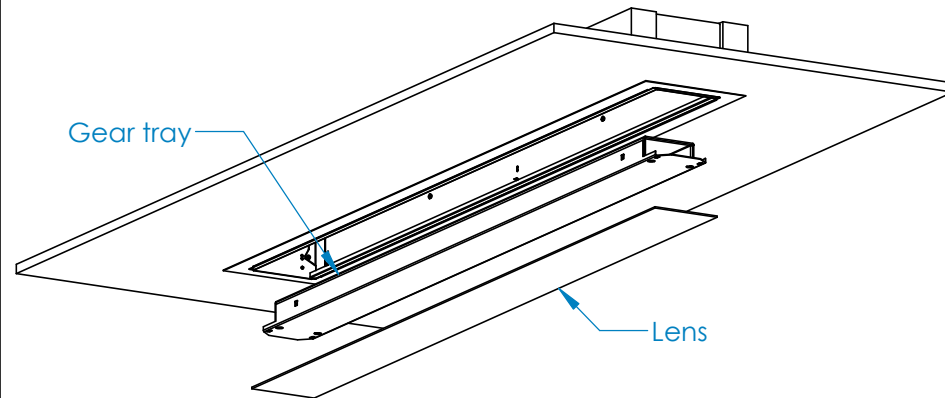
Texas Fluorescents Reinvented

A. Reconnect Fixture Wiring

WIRING LEGEND		
BLACK	HOT	Line Voltage
WHITE	NEUTRAL	Line Voltage
GREEN	GROUND	
GRAY	DIMMING	0-10V DC
VIOLET	DIMMING	0-10V DC

- Wire fixture(s) to the incoming power supply.
- For dimming option, refer to wiring legend above.
- Use UL approved connectors only. Follow all local, state and national codes.

B. Replace Internal Components



- After wiring the fixture, install the gear tray to the mounting points inside the fixture. Re-use screws to secure the gear tray to the mounting points inside the fixture pan.
- Gently push the lens up into the fixture until it snaps in place.