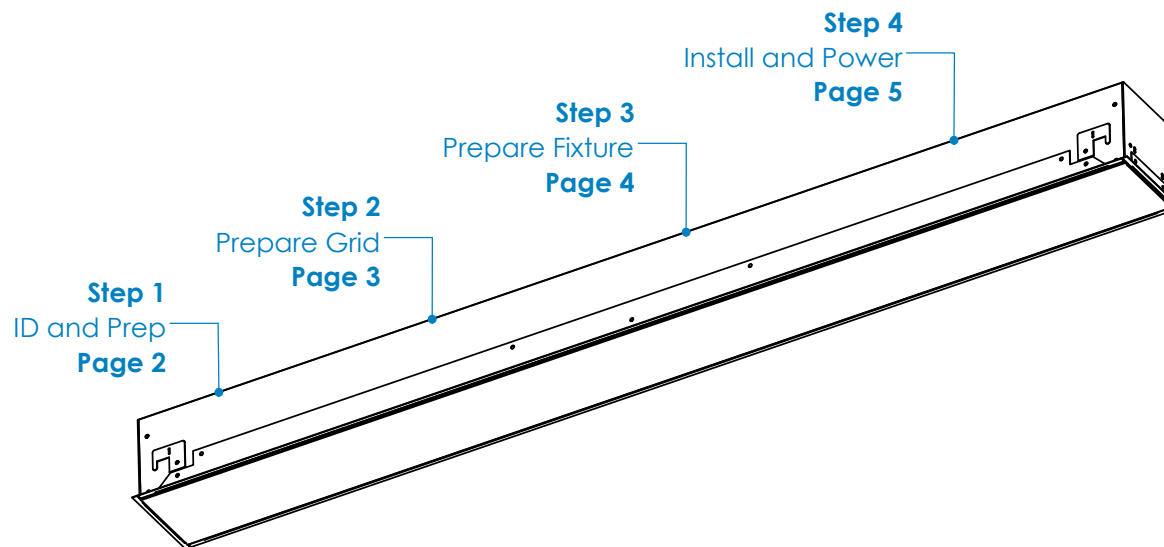


44-66-Recessed-Grid Installation Instructions Overview

WARNINGS

- This product must be installed in accordance with all applicable codes by a person familiar with the product.
- Each fixture must be **properly supported** during install.
- **DO NOT** join fixtures on the floor prior to lifting, or damage will occur.
- **Before beginning installation**, review our complete list of warnings by visiting www.saylite.com/warnings.



Your particular build may vary.

2020© Saylite | 2055 Luna Road, Suite 142 Carrollton, Texas 75006 | www.saylite.com

44-66-Recessed-Grid Installation Instructions

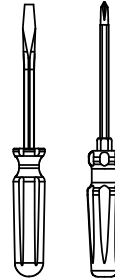
Step 1 - Identification and Preparation

A. Identify Fixtures

SayliteLED Texas Fluorescents Reinvented	
PART# (44/66)RSFxxLTxxWxxxxLDMVxxKWH	
VOLTAGE: 120-277, 50/60HZ	CCT: XXXX
WATTAGE: XX MAX	DATE CODE: XX/XX/XX
FLUX: XXXX LUMENS	TYPE: XX

- Use labels found on the box and inside the fixture bodies to identify bodies.
- **NOTE:** Locations of labels can vary.
- Remove all fixtures from their boxes.
- Organize fixtures based on their labels at the install location.

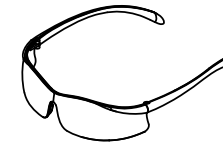
B. Tools Needed



Screwdrivers



Pliers



Safety Glasses

- Always use proper safety equipment when installing fixtures.
- Tools shown are recommended for standard install. Tools needed may vary based on actual install location conditions.

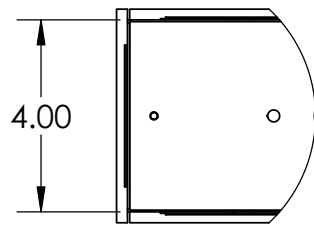
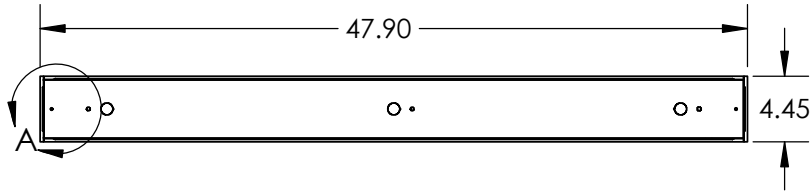
Kitted Hardware

- Saylite has provided the items listed here, with their Saylite part numbers listed. These items can be found in separate boxes shipped with the fixture.
- Ensure all parts are accounted for and set them aside until needed.
- Any additional hardware needed for this installation will be provided by others.

44-66-Recessed-Grid Installation Instructions

Step 2 - Prepare the Grid

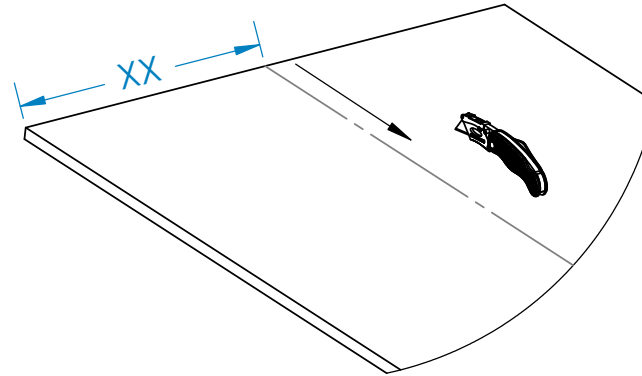
A. Transfer Measurements



DETAIL A
SCALE 1 : 4

- Note the fixture length and width, including the flanges.
- Transfer the dimensions to the grid. Set the grid rails to the proper width.
- **Fixture shown is 4ft version, length will vary with other versions.**

B. Cut Ceiling Panels

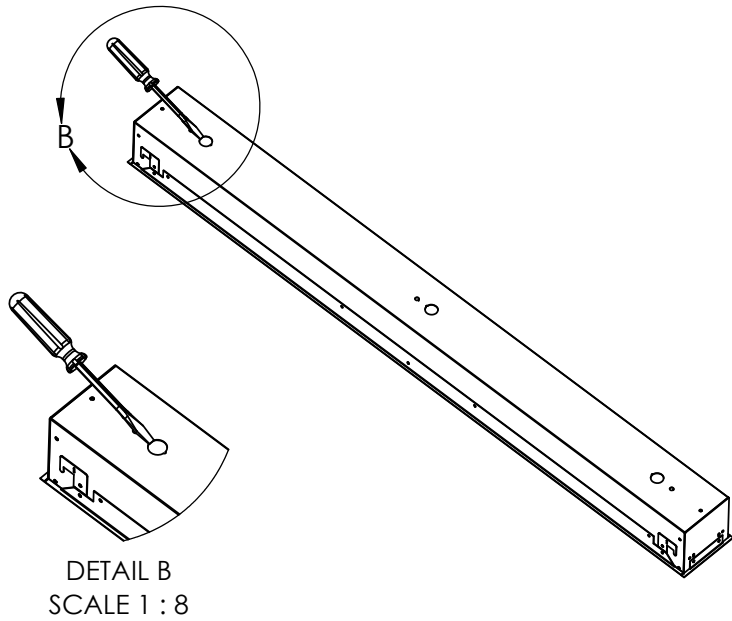


- Cut panels to fit the custom, fixture-spaced grid.

44-66-Recessed-Grid Installation Instructions

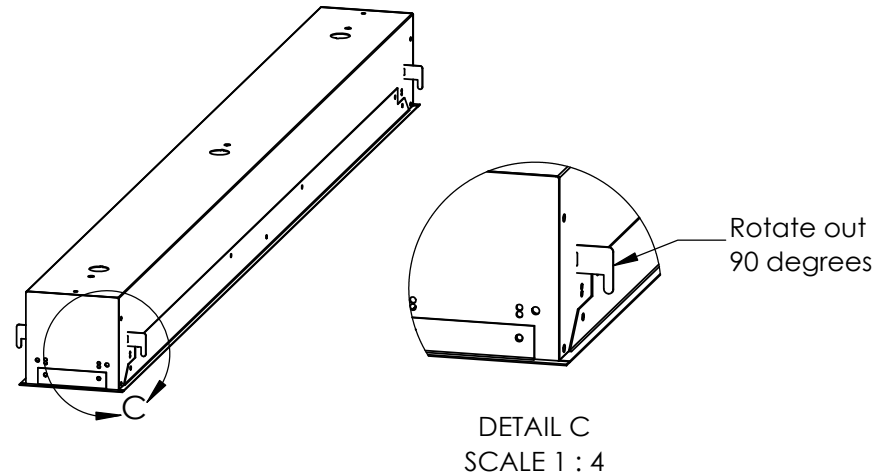
Step 3 - Prepare the Fixture

A. Remove Knockout



- Using a gentle prying motion, remove the 7/8" knockout from the desired location.

B. Fold Out Hurricane Clips

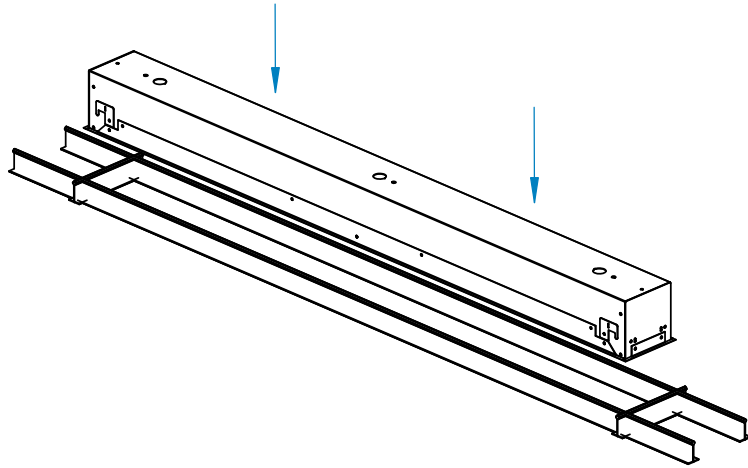


- Rotate each hurricane clip out 90 degrees.

44-66-Recessed-Grid Installation Instructions

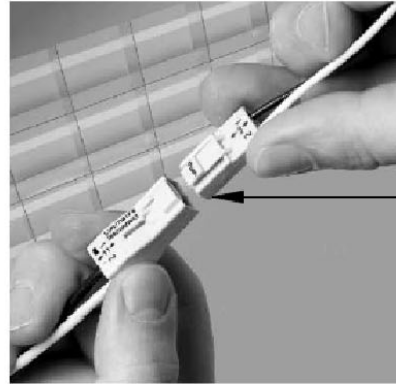
Step 4 - Install and Power Fixture

A. Install to Grid



- Install the fixture to the grid, ensuring the opened hurricane clips hang over the grid.

B. Wire the Fixture



WIRING LEGEND		
BLACK	HOT	Line Voltage
WHITE	NEUTRAL	Line Voltage
GREEN	GROUND	
GRAY	DIMMING	0-10V DC
VIOLET	DIMMING	0-10V DC

- Wire fixtures to the incoming power supply using the provided quick disconnect clip as shown.
- For dimming option, refer to wiring legend above.
- Use UL approved connectors only. Follow all local, state and national codes.
- Fixture installation is now complete.