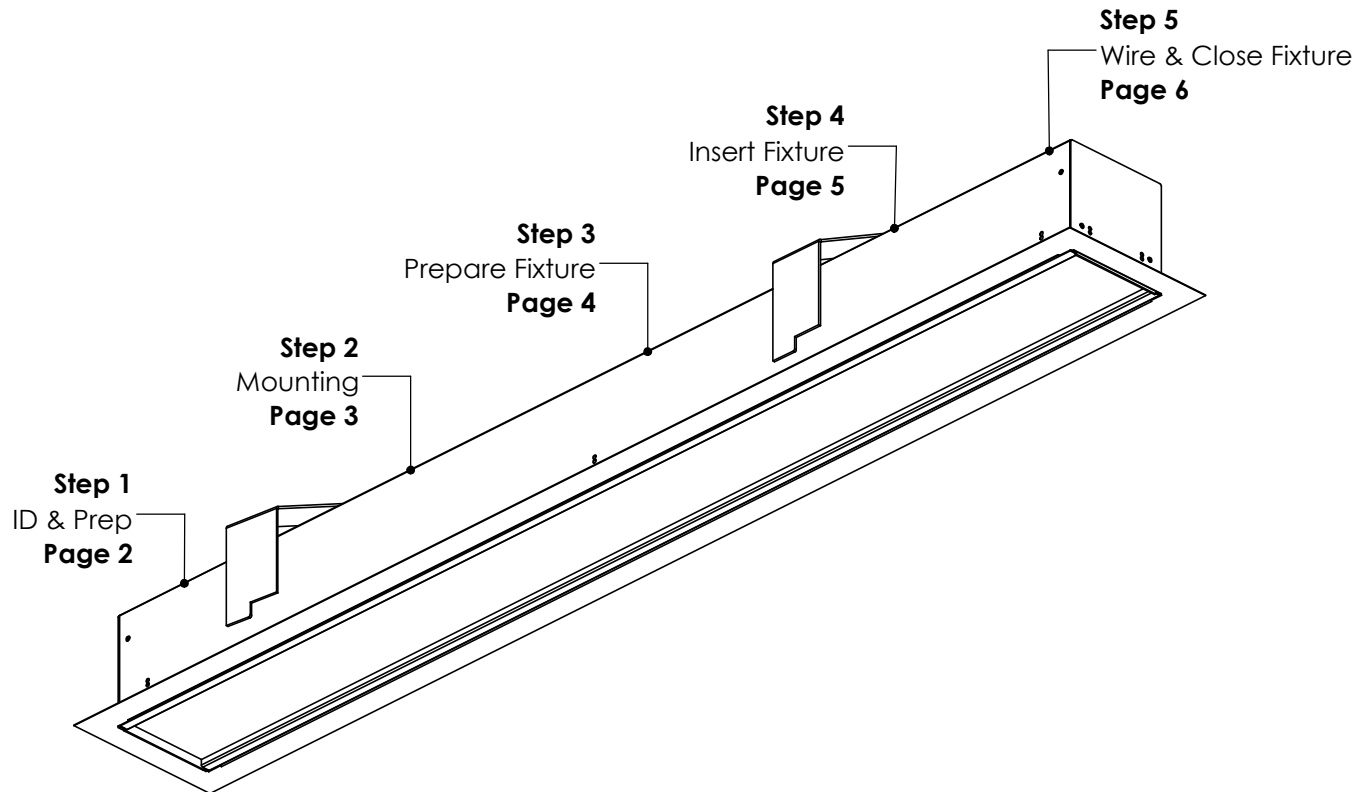


# 44-66-Recessed Flange Installation Instructions

## Overview

### WARNINGS

- This product must be installed in accordance with all applicable codes by a person familiar with the product.
- Each fixture must be **properly supported** during install.
- **DO NOT** join fixtures on the floor prior to lifting, or damage will occur.
- **Before beginning installation**, review our complete list of warnings by visiting [www.saylite.com/warnings](http://www.saylite.com/warnings).



Your particular build may vary.

2022© Saylite | 2055 Luna Road, Suite 142 Carrollton, Texas 75006 | [www.saylite.com](http://www.saylite.com)

# 44-66-Recessed Flange Installation Instructions

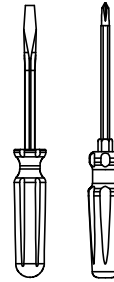
## Step 1 - Identification & Preparation

### A. Identify Fixtures

|  |                     |
|--|---------------------|
| <b>SayliteLED</b><br>Texas Fluorescents Reinvented |                     |
| PART# (44/66)RFSFxxLRxxWxxxxLDMVxxK                |                     |
| VOLTAGE: 120-277, 50/60HZ                          | CCT: XXXX           |
| WATTAGE: XX MAX                                    | DATE CODE: XX/XX/XX |
| FLUX: XXXX LUMENS                                  | TYPE: XX            |

- Use labels found on the box and inside the fixture bodies to identify bodies.
- **NOTE:** Locations of labels can vary.
- Remove all fixtures from their boxes.
- Organize fixtures based on their labels at the install location.

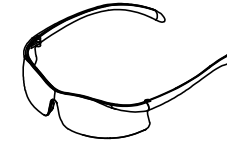
### B. Tools Needed



Screwdrivers



Pliers



Safety Glasses

- Always use proper safety equipment when installing fixtures.
- Tools shown are recommended for standard install. Tools needed may vary based on actual install location conditions.

### Kitted Hardware

- Saylite has provided the items listed here, with their Saylite part numbers listed. These items can be found in separate boxes shipped with the fixture.
- Ensure all parts are accounted for and set them aside until needed.
- Any additional hardware needed for this installation will be provided by others.

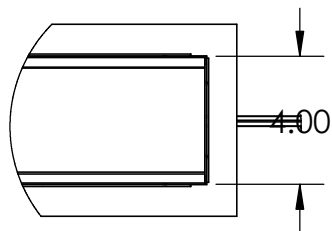
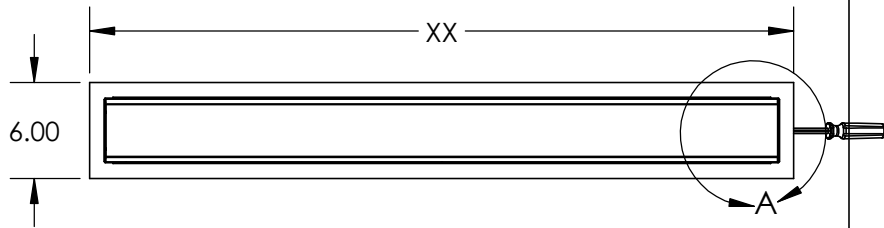
## 44-66-Recessed Flange Installation Instructions

### Step 2 - Prepare Mounting Surface



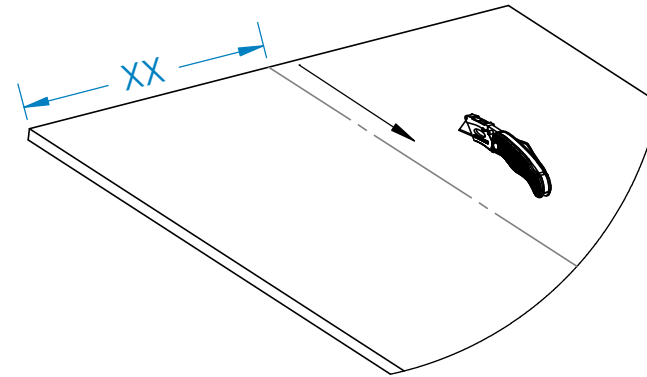
Texas Fluorescents Reinvented

#### A. Transfer Measurements



- Note the length and width of the fixture, including the pre-installed flange.
- Transfer fixture dimensions to the mounting surface.

#### B. Make Cut-Out



- Using a utility knife or similar, cut out an opening for the fixture in the mounting surface.
- Note: keep cut out size as close to fixture dimensions as possible.

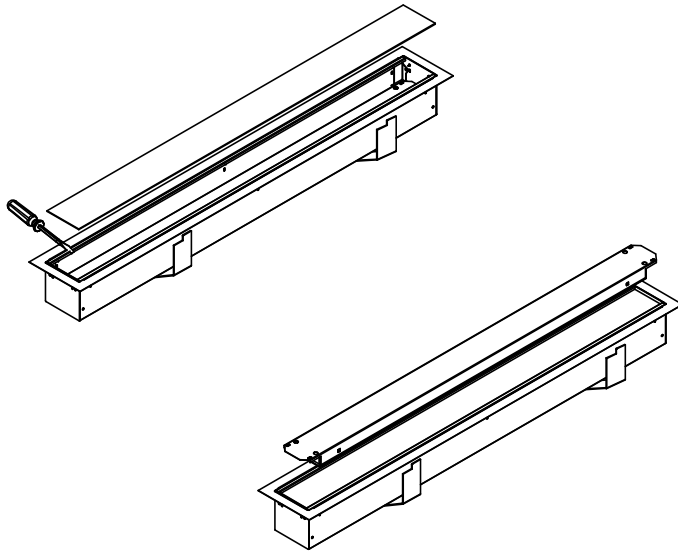
## 44-66-Recessed Flange Installation Instructions

### Step 3 - Prepare the Fixture for Mounting



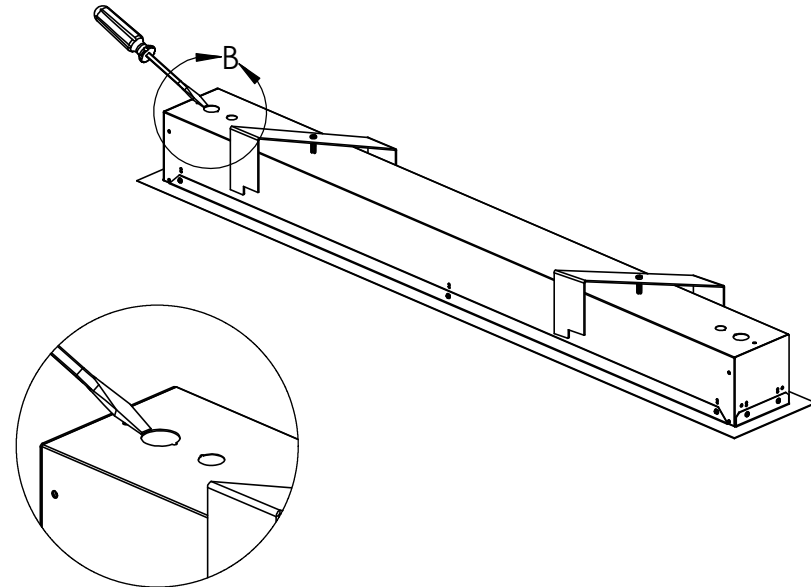
Texas Fluorescents Reinvented

#### A. Remove Lens and Gear Tray



- Use a flat head screwdriver to carefully remove the lens from the fixture. Gently pry up on one edge of the fixture and slide the screwdriver along the edge slowly to lift the lens out of the fixture. Set aside in a safe spot.
- Using a Philips screwdriver, remove the (4) screws on the gear tray located in each corner of the fixture. Save hardware for later use.
- Lift the gear tray out of the fixture and set aside in a safe location.

#### B. Remove Power Knockout



DETAIL B  
SCALE 1 : 4

- Using a flat head screw driver, gently pry up on the 7/8" knockout from desired location.

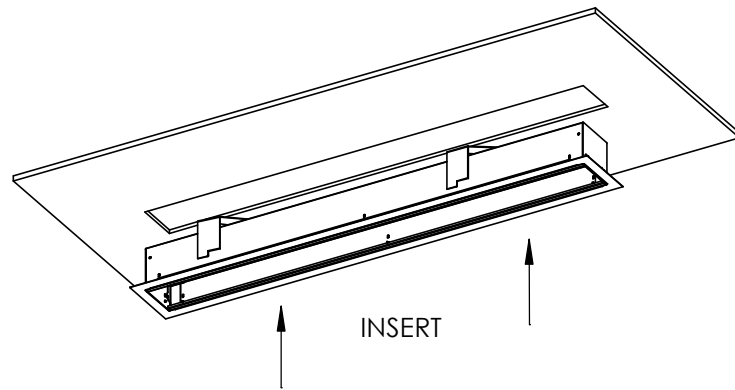
## 44-66-Recessed Flange Installation Instructions

### Step 4 - Install Fixture to Mounting Surface



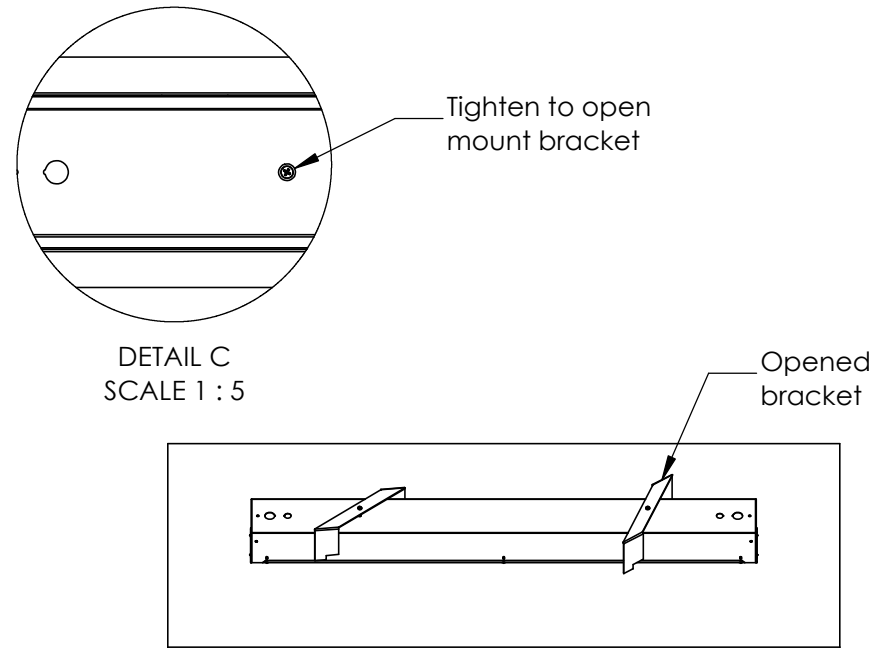
Texas Fluorescents Reinvented

#### A. Insert Fixture to Cut-Out



- Insert the fixture to the cut out in the mounting surface.
- Push the fixture in until the flange is flush against the mounting surface.

#### B. Open Mounting Brackets



- After inserting fixture to cut out, use a Philips head screwdriver to tighten the screw on the mount bracket to open the bracket behind the mount surface.
- Tighten mount bracket screw until it can no longer turn to ensure mount bracket is fully opened as shown above.

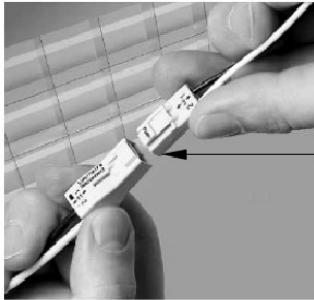
# 44-66-Recessed Flange Installation Instructions

## Step 5 - Wire and Close Fixture



Texas Fluorescents Reinvented

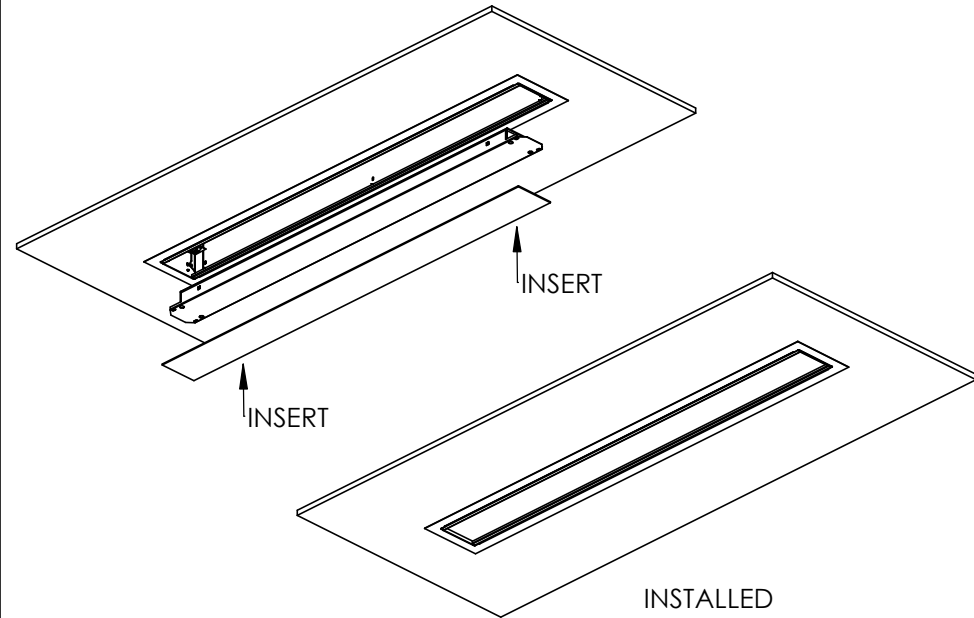
### A. Connect Power Cord



| WIRING LEGEND |         |              |
|---------------|---------|--------------|
| BLACK         | HOT     | Line Voltage |
| WHITE         | NEUTRAL | Line Voltage |
| GREEN         | GROUND  |              |
| GRAY          | DIMMING | 0-10V DC     |
| VIOLET        | DIMMING | 0-10V DC     |

- Wire each fixture to the incoming power supply using the provided quick disconnect clip as shown.
- For dimming option, refer to wiring legend above.
- Use UL approved connectors only. Follow all local, state and national codes.

### B. Replace Gear Tray and Lens



- Reinstall the gear tray to the fixture pan. Use the (4) screws saved in Step 3 to secure the gear tray to the pan.
- Replace the lens by gently pushing one end into the fixture until it snaps in. Slowly push the rest of the lens into the fixture.
- Installation is now complete.