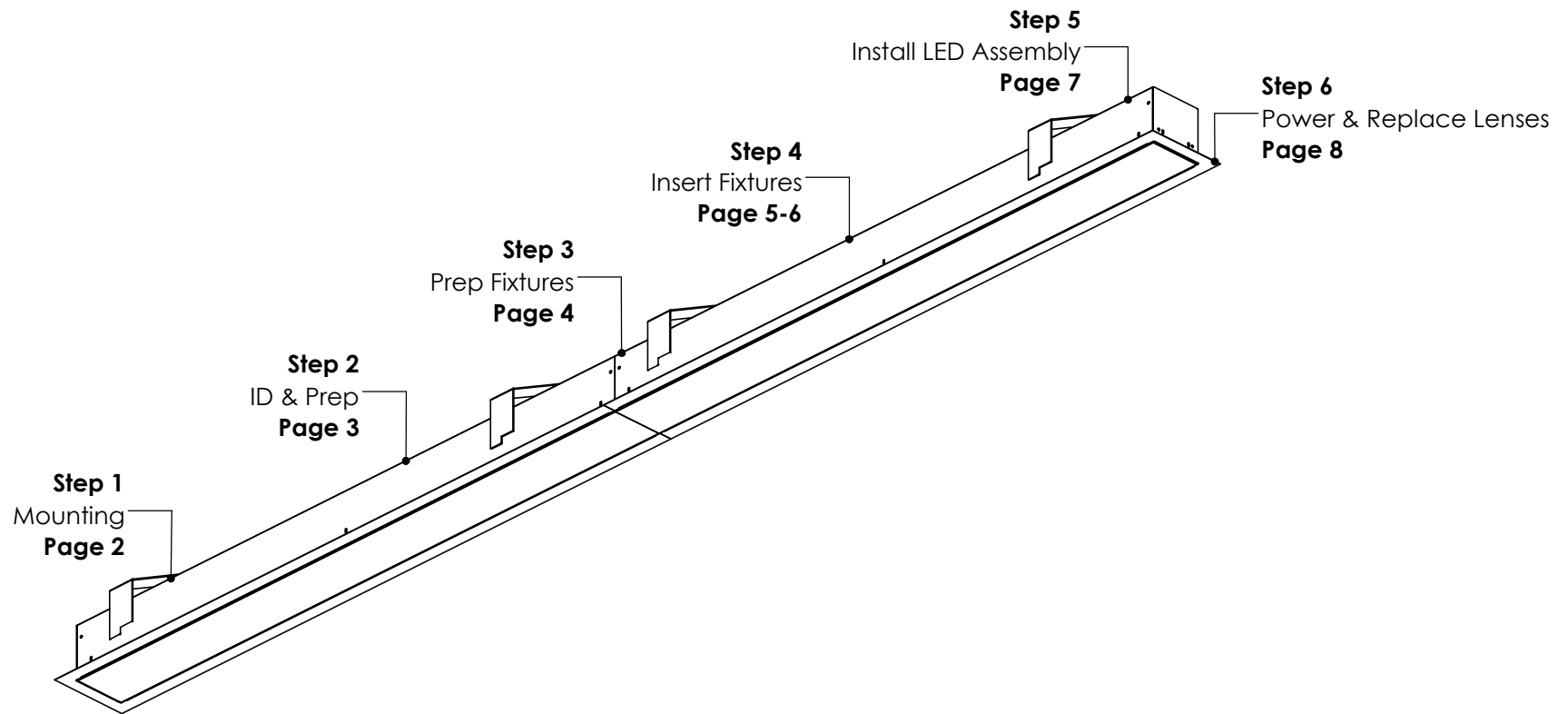


# 44-66-RF-Continuous Run Installation Instructions

## Overview

### WARNINGS

- This product must be installed in accordance with all applicable codes by a person familiar with the product.
- Each fixture must be **properly supported** during install.
- **DO NOT** join fixtures on the floor prior to lifting, or damage will occur.
- **Before beginning installation**, review our complete list of warnings by visiting [www.saylite.com/warnings](http://www.saylite.com/warnings).



Your particular build may vary.

2022© Saylite | 2055 Luna Road, Suite 142, Carrollton, TX 75006 | [www.saylite.com](http://www.saylite.com)

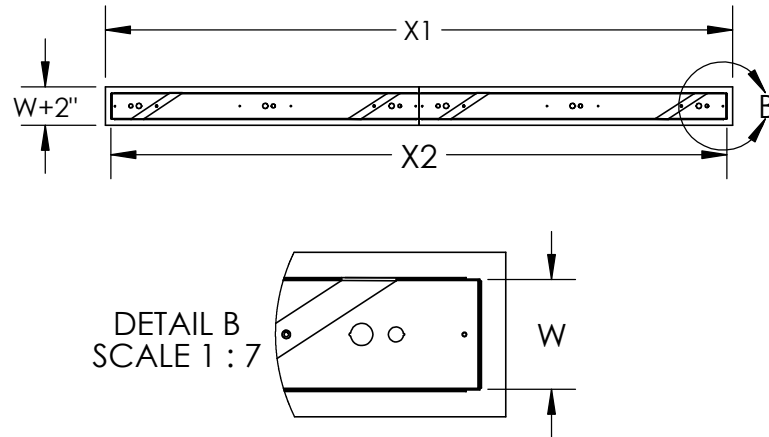
# 44-66-RF-Continuous Run Installation Instructions

## Step 1 - Prepare Mounting Surface

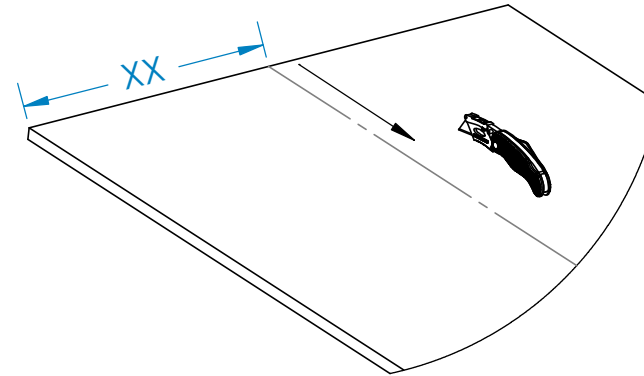


Texas Fluorescents Reinvented

### A. Transfer Measurements



### B. Make Cut-Out



- Note the length and width of the fixture run, including the pre-installed flanges.
- Transfer fixture dimensions to the mounting surface.
- Refer to assembly drawings for further details.

- Using a utility knife or similar, cut out an opening for the fixture in the mounting surface.
- Note: keep cut out size as close to fixture dimensions as possible.

# 44-66-RF-Continuous Run Installation Instructions

## Step 2 - Identification and Preparation

### A. Identify Fixtures

|  |                     |
|--|---------------------|
| <b>SayliteLED</b><br>Texas Fluorescents Reinvented |                     |
| PART# PLINLVxxLFxxWxxxxLDMVxxK                     |                     |
| VOLTAGE: 120-277V, 50/60HZ                         | CCT: XXXX K         |
| WATTAGE: XX MAX                                    | DATE CODE: XX/XX/XX |
| FLUX: XXXX LUMENS                                  | TYPE: XX            |

### B. Tools Needed

- Use labels found on the box and inside the fixture bodies to identify bodies.
- **NOTE:** Locations of labels can vary.
- Remove all fixtures from their boxes.
- Organize fixtures based on their labels at the install location.

- Always use proper safety equipment when installing fixtures.
- Tools shown are recommended for standard install. Tools needed may vary based on actual install location conditions.

### Kitted Hardware

- Saylite has provided the items listed here, with their Saylite part numbers listed. These items can be found in separate boxes shipped with the fixture.
- Ensure all parts are accounted for and set them aside until needed.
- Any additional hardware needed for this installation will be provided by others.

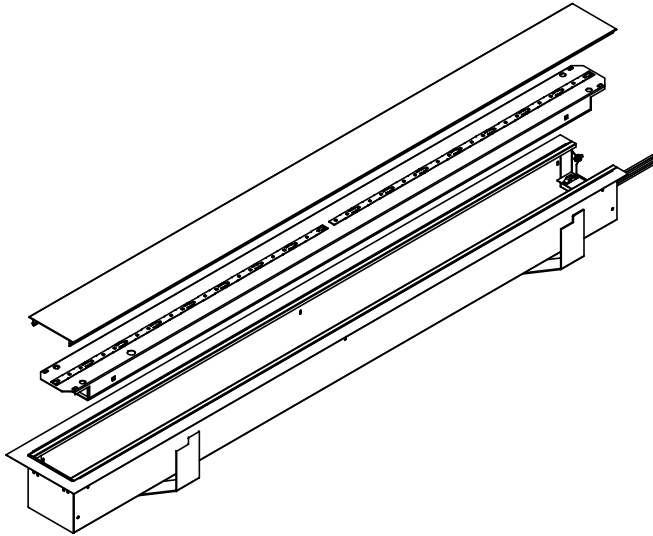
## 44-66-RF-Continuous Run Installation Instructions

### Step 3 - Prepare the Fixture for Mounting



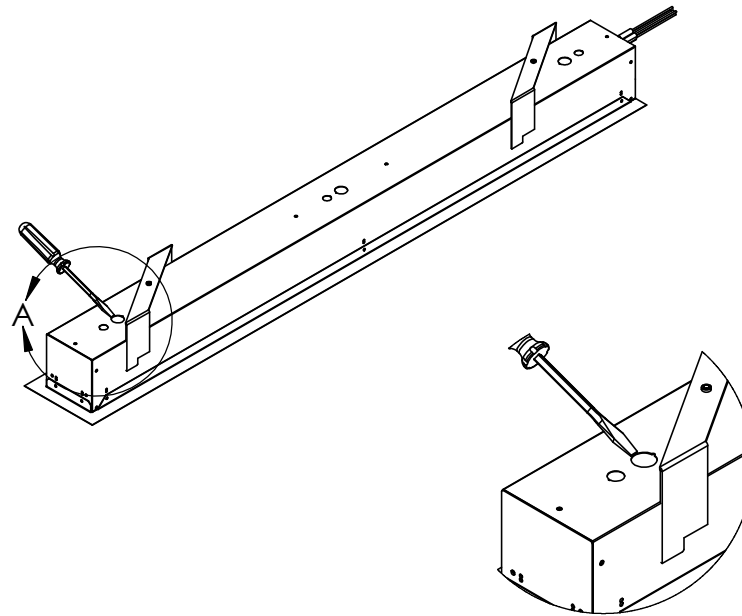
Texas Fluorescents Reinvented

#### A. Remove the Lenses and LED Assemblies



- Use a flat head screwdriver to carefully remove the lens from the fixture. Gently pry up on one edge of the fixture and slide the screwdriver along the edge to slowly lift the lens out of the fixture. Set aside in a safe location.
- Using a Philip's screwdriver, remove the (4) screws on the gear tray located in each corner of the fixture.
- Lift the LED assembly out of the fixture and set aside in a safe location along with the screws for later use.

#### B. Remove Power Knockout(s)



DETAIL A  
SCALE 1 : 6

- Use a flat head screwdriver to gently pry up and remove the desired 7/8" knockout on the fixture.
- Repeat as needed for additional power drop fixtures in the run.

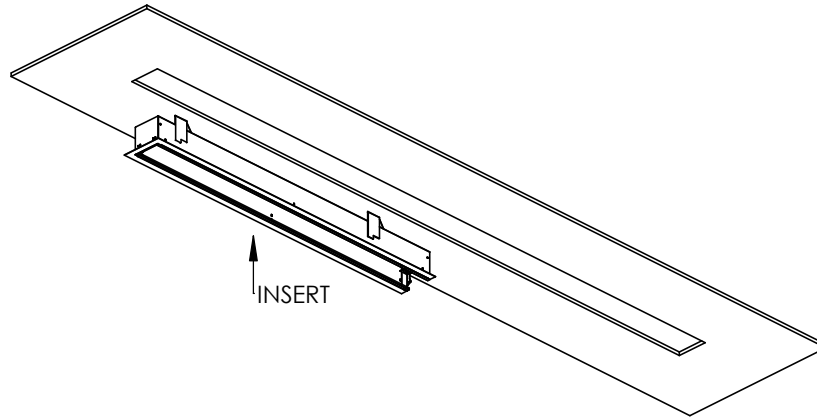
## 44-66-RF-Continuous Run Installation Instructions

### Step 4 - Insert Fixture(s) to Mounting Surface



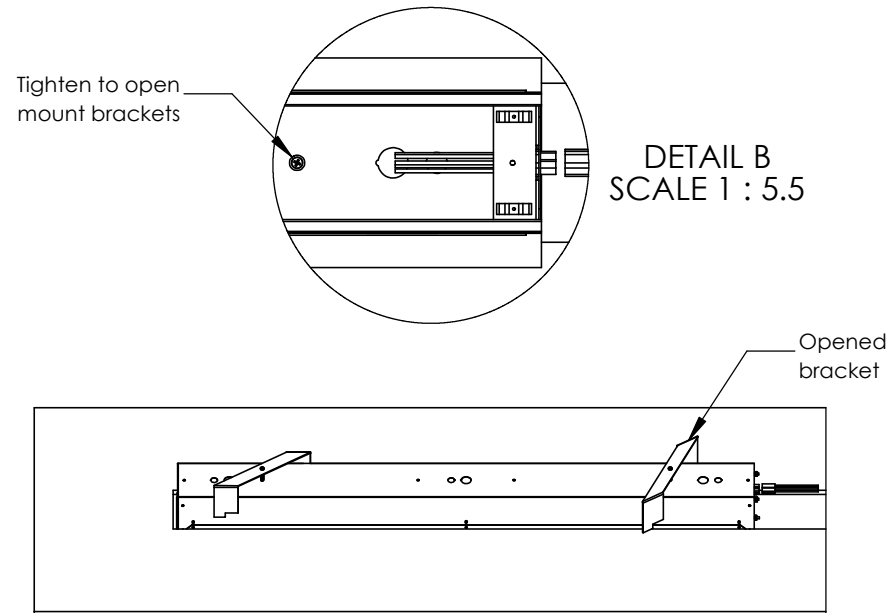
Texas Fluorescents Reinvented

#### A. Insert to Cut-Out



- Insert the fixture to the cut out in the mounting surface.
- Push the fixture in until the flange is flush against the mounting surface.

#### B. Open Mounting Brackets to Secure



- After inserting fixture to cut out, use a Philips head screwdriver to tighten the screw on the mount bracket to open the bracket behind the mount surface.
- Tighten the mount bracket screw until it can no longer turn to ensure mount bracket is fully opened as shown above.

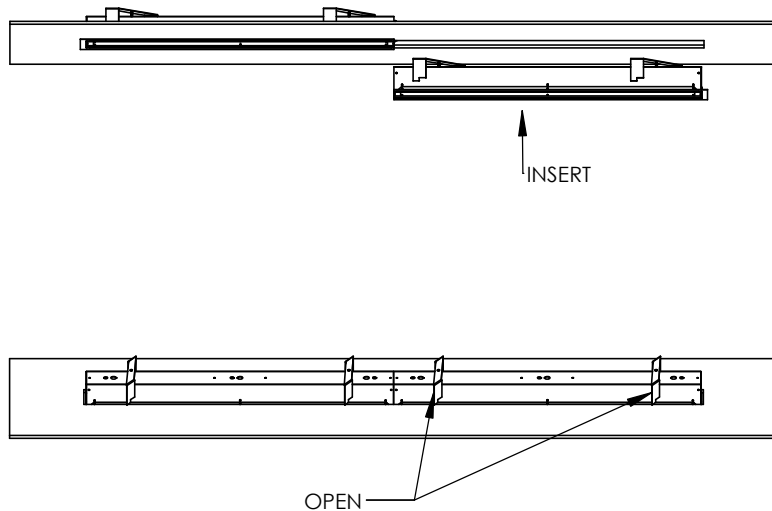
## 44-66-RF-Continuous Run Installation Instructions

### Step 4 - Insert Fixture(s) to Mounting Surface (Cont'd)



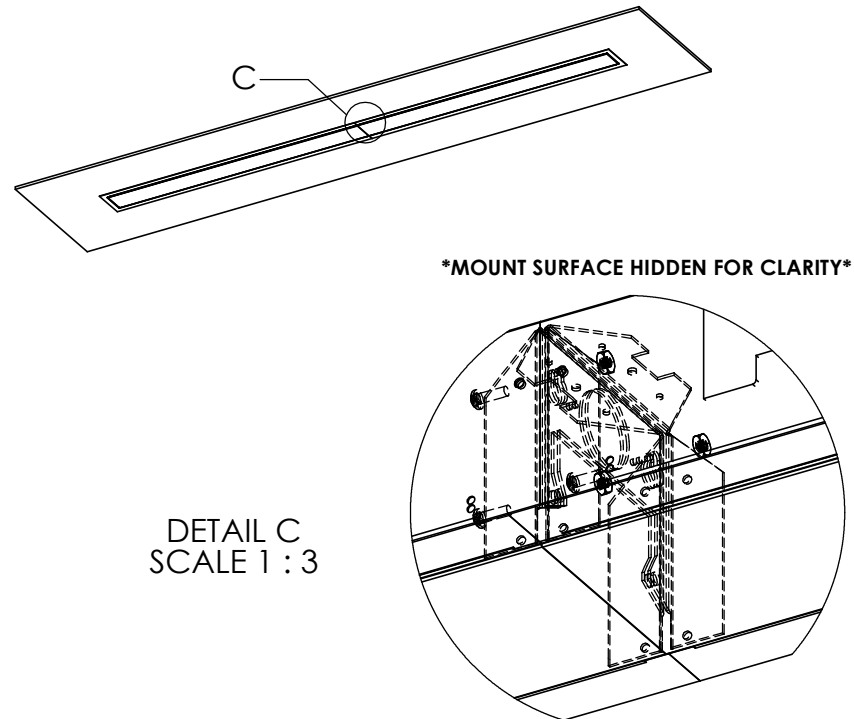
Texas Fluorescents Reinvented

#### A. Insert Joining Fixture and Open Mount Brackets



- Insert the joining fixture to the cut out until the flange is flush against the mounting surface.
- Use a Philips head screwdriver to open the mount brackets behind the mount surface.

#### B. Secure Joining Fixture to Previous

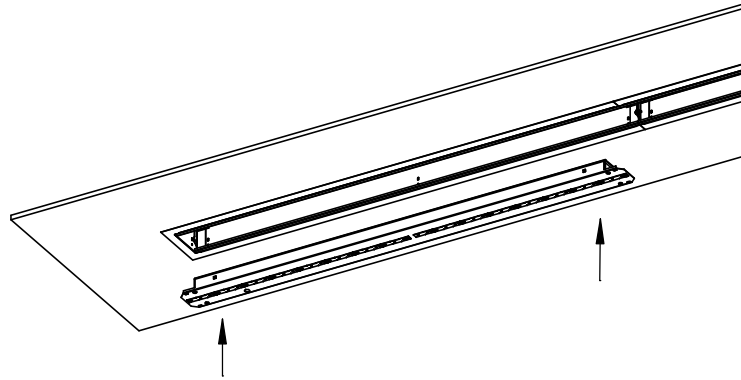


- Secure the joining fixture to the previous fixture. Use (4) #8-32 x .5" bolt and nut (not provided) to secure the fixtures.
- Install the (4) bolts to the locations shown above in Detail C.

# 44-66-RF-Continuous Run Installation Instructions

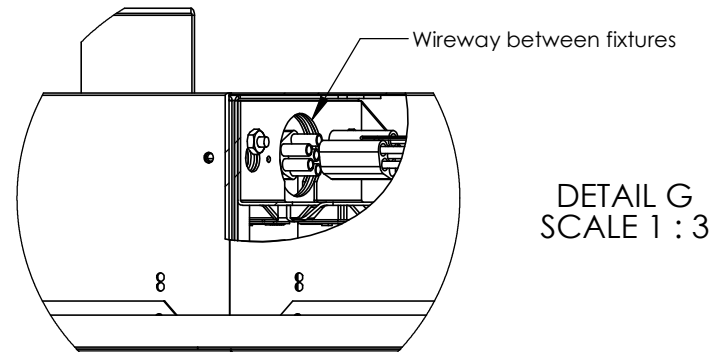
## Step 5 - Install LED Assemblies and Connect Wiring

### A. Install LED Assemblies to Fixtures

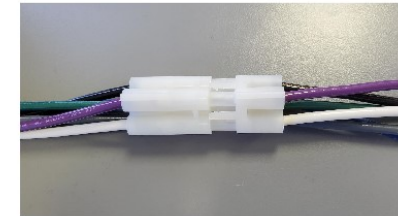


- Insert the LED assemblies to the installed fixture pans.
- Use (4) screws set aside earlier to reinstall the LED assembly to the fixture pan. Tighten all (4) screws for each LED assembly by 1/4 turn.

### B. Connect Wiring Between Fixtures



DETAIL G  
SCALE 1 : 3



- As LED assemblies are installed in the run, join the wiring connectors between fixtures as shown above.
- Pull connectors thru the wireway in the back of the fixture and push the connectors together until a 'click' is heard.
- Repeat this step until LED assemblies have been installed and wiring connectors have been joined for all fixtures in the run.

## 44-66-RF-Continuous Run Installation Instructions

### Step 6 - Replace Lenses and Power Fixtures



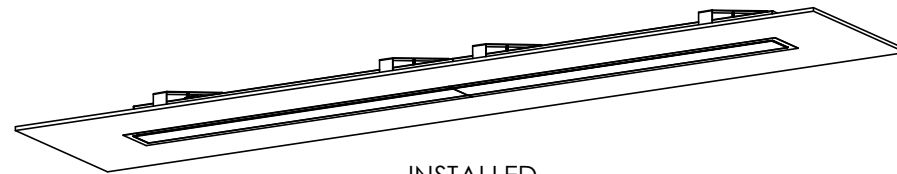
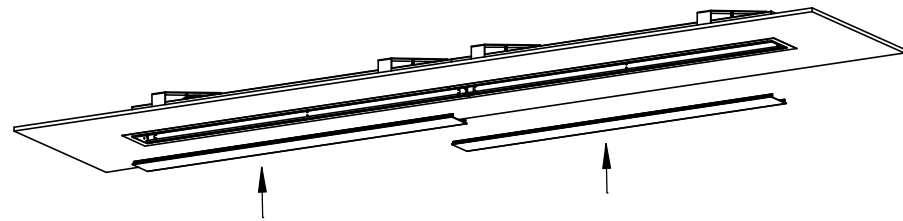
Texas Fluorescents Reinvented

#### A. Connect to Power Feed Supply

| WIRING LEGEND |           |              |
|---------------|-----------|--------------|
| BLACK         | Circuit 1 | Line Voltage |
| WHITE         | NEUTRAL   | Line Voltage |
| GREEN         | GROUND    |              |
| GRAY          | DIMMING   | 0-10V DC     |
| VIOLET        | DIMMING   | 0-10V DC     |
| BLUE          | Circuit 2 | Line Voltage |

- Wire fixtures to the incoming power supply using the provided quick disconnect clip. For dimming option, refer to wiring legend above.
- Use UL approved connectors only. Follow all local, state and national codes.
- Insert the power cable into the wire strain relief, and push the wire strain relief into the canopy until it clicks into place.

#### B. Replace Lenses



- Replace the lenses removed in Step 3. Ensure that each lens is reinstalled to the correct fixture.
- Push the lens into the fixture until it snaps into place. Repeat for all fixture in the run as needed.
- Installation is now complete.