

44-66-Recessed Grid Installation Instructions

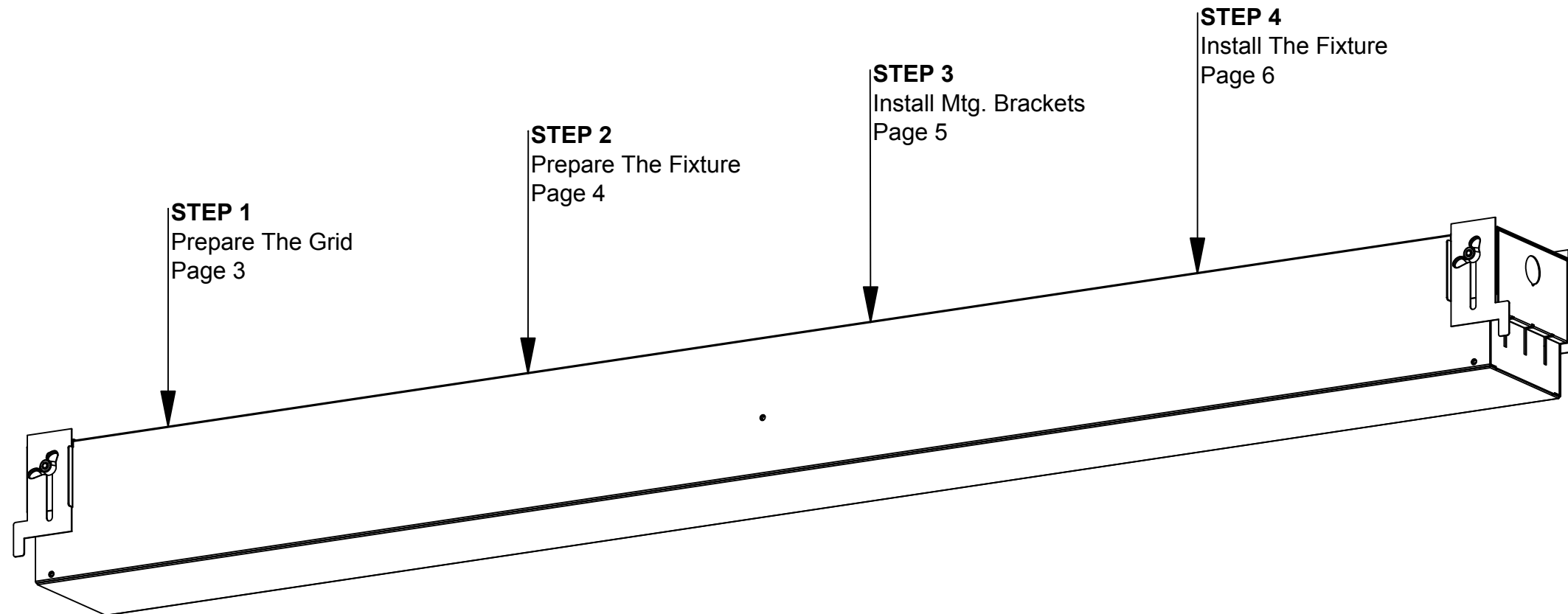
Overview



Texas Fluorescents Reinvented

WARNINGS

- This product must be installed in accordance with all applicable codes by a person familiar with the product.
- Each fixture must be **properly supported** during install.
- **DO NOT** join fixtures on the floor prior to lifting, or damage will occur.
- **Before beginning installation**, review our complete list of warnings by visiting www.saylite.com/warnings.



We believe
in the power
of light.



Your particular build may vary.

2018© Saylite | 2055 Luna Road, Suite 142 Carrollton, Texas 75006 | www.saylite.com

1 of 6

Form BWE - 44-66-Recessed Grid V2 12/18

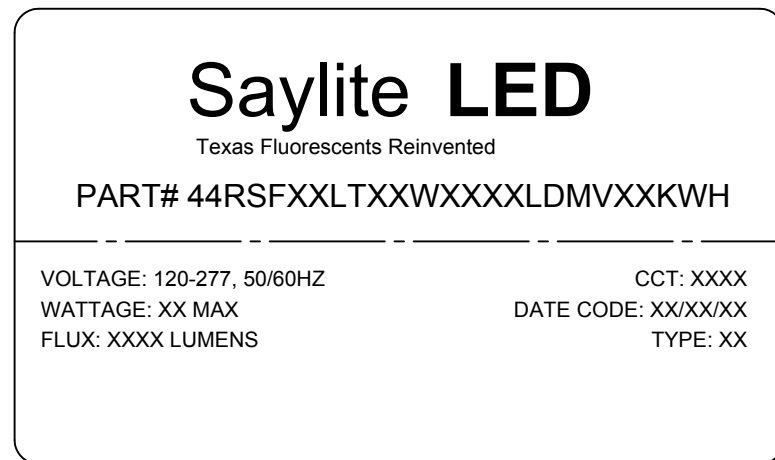
44-66-Recessed Grid Installation Instructions

Preparation - Tools/Parts Identification



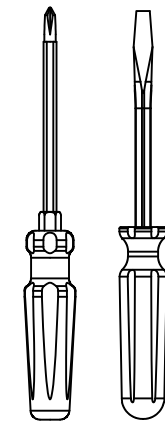
Texas Fluorescents Reinvented

A. Identify Fixtures

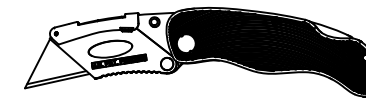


- Use labels found on the box and inside fixture bodies to identify bodies.
- **NOTE:** Locations of labels can vary.
- Remove all fixtures from their boxes.
- Organize fixtures based on their labels at the install location.

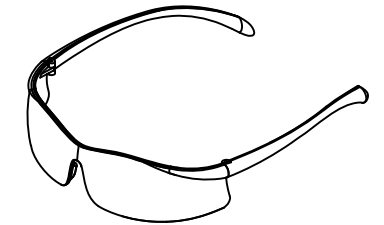
B. Tools Needed



Screwdrivers



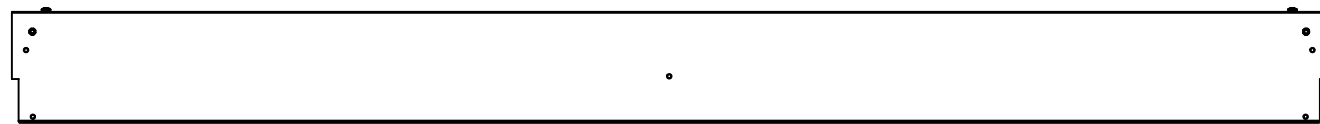
Utility Knife



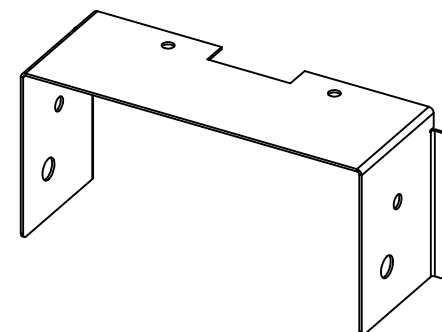
Safety Glasses

- Always use proper safety equipment when installing fixtures.
- Tools shown are recommended for standard install. Tools needed may vary based on actual install location conditions.

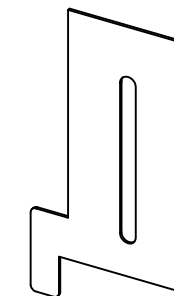
C. Identify Parts



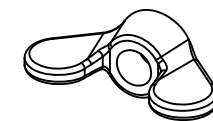
44/66-Recessed Grid Fixture
(Provided)



Grid Bracket "A"
(Provided)



Grid Bracket "B"
(Provided)



Wing Nut
(Provided)

- Read entire install instructions before beginning installation.
- Unpack all components and arrange in order of install steps.
- For help with installation, please contact us at www.saylite.com or call us at (972) 247-3171.

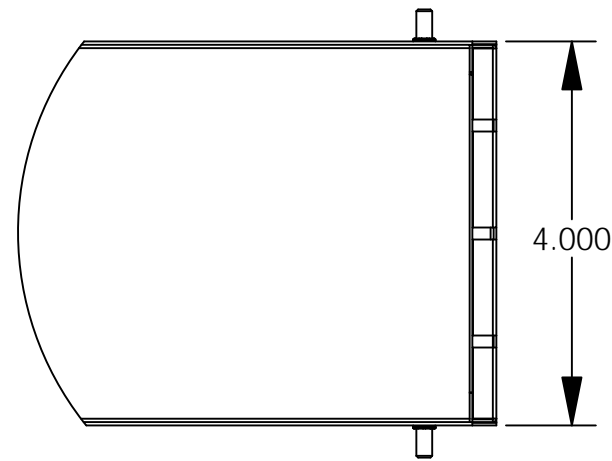
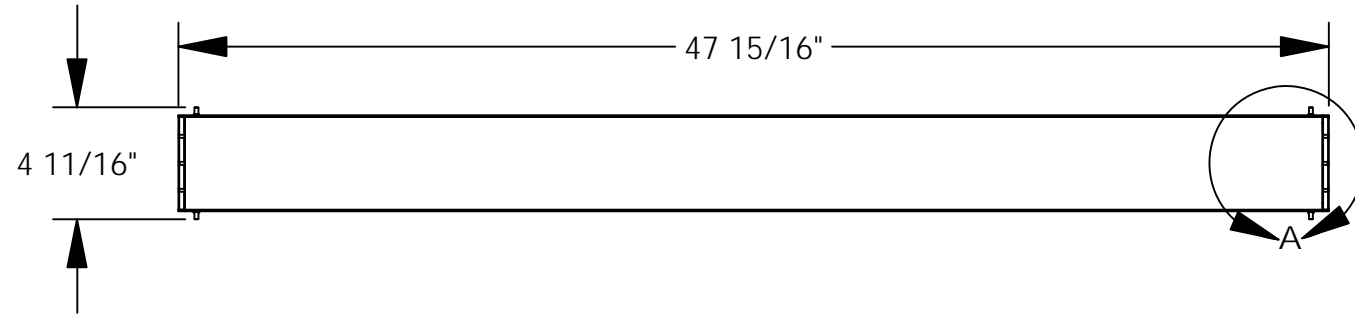
44-66-Recessed Grid Installation Instructions

Step 1 - Prepare The Grid



Texas Fluorescents Reinvented

A. Transfer Measurements

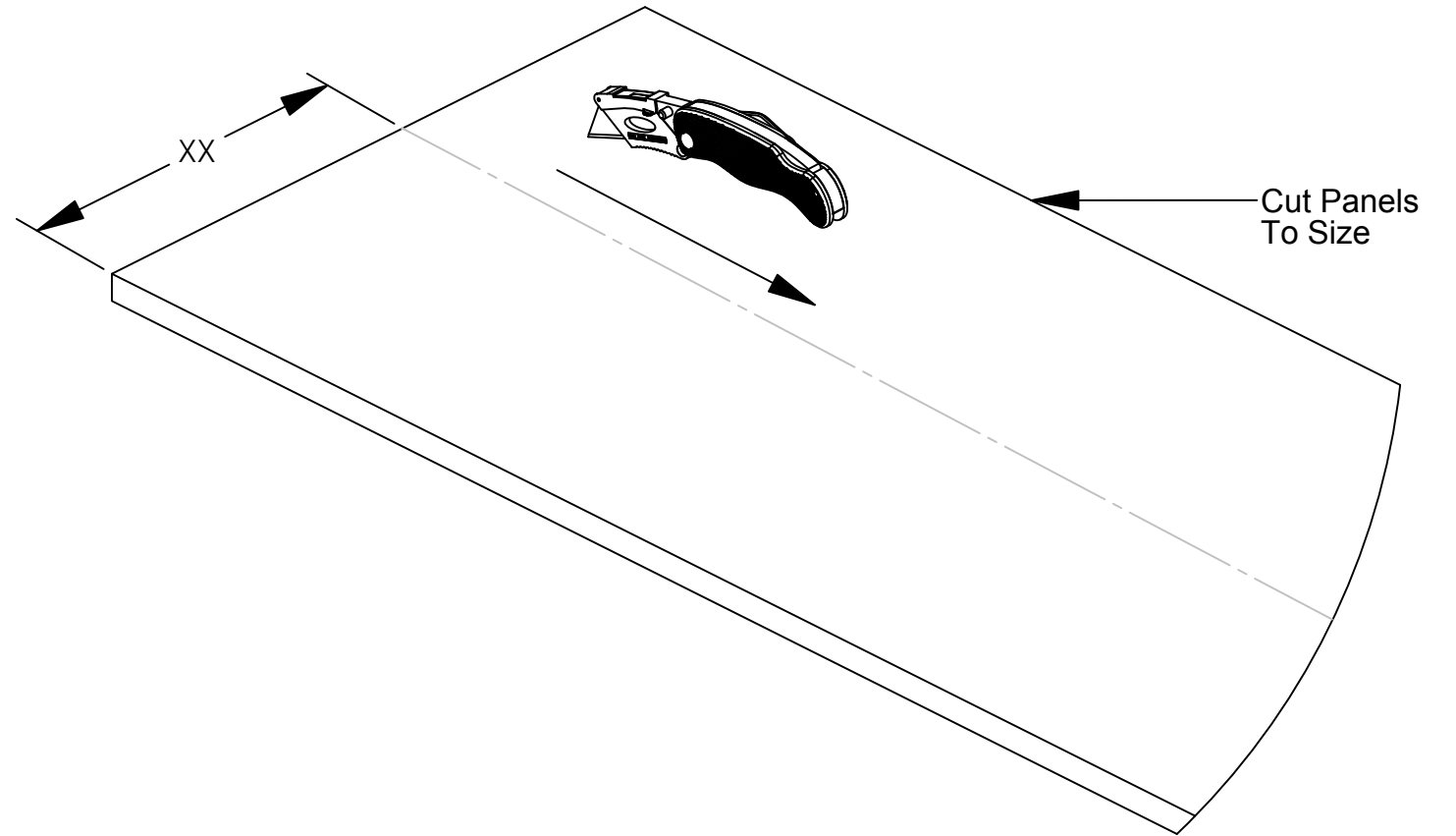


DETAIL A
SCALE 1 : 2

Note: 4FT fixture shown,
fixture length may vary.

- Note the length and width dimensions of the fixture.
- Transfer the dimensions to the grid. Set the grid rails to the proper width.

B. Cut Ceiling Panels



- Cut ceiling panels to fit the custom, fixture-spaced grid.

Items Used In This Step



Utility Knife

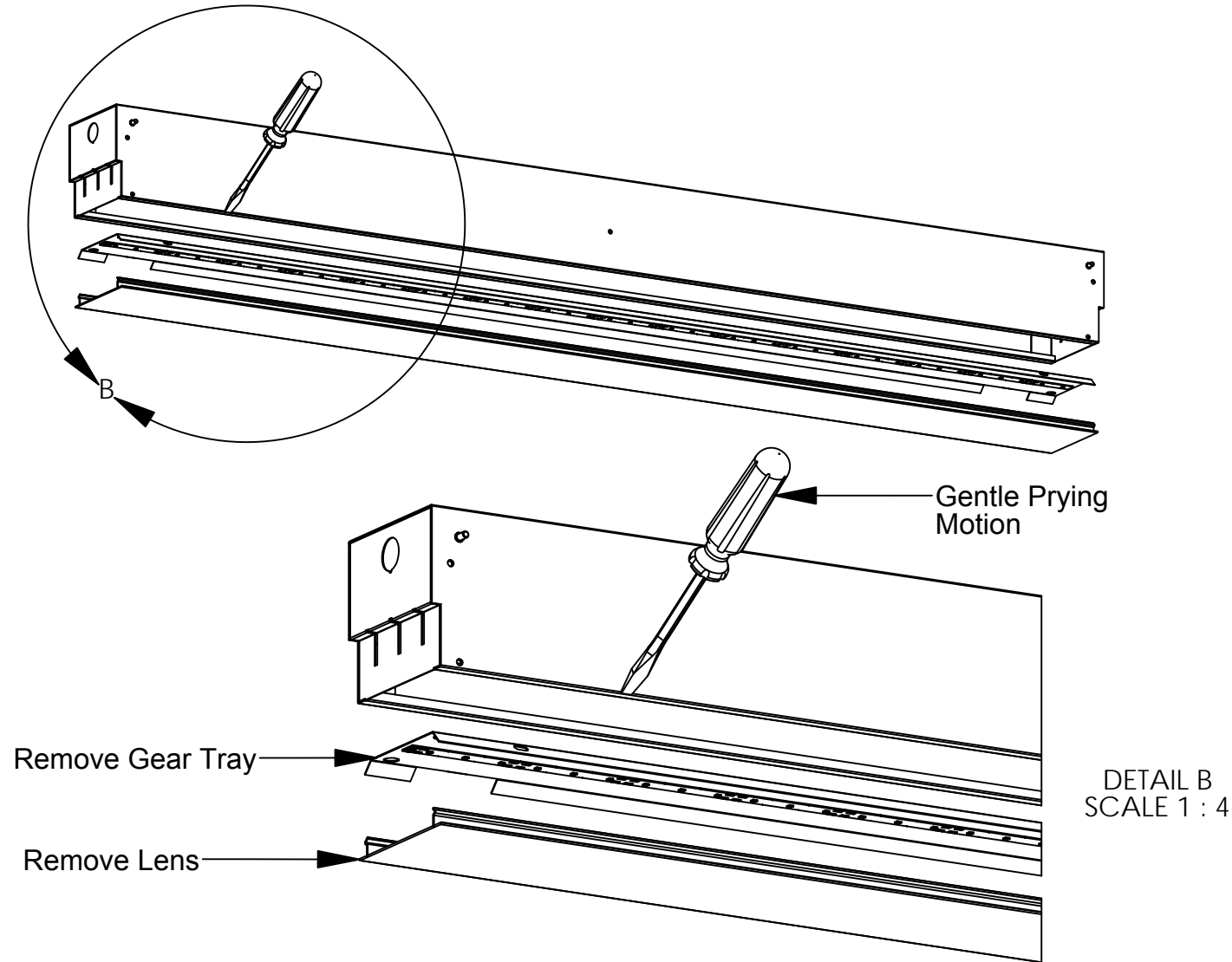
44-66-Recessed Grid Installation Instructions

Step 2 - Prepare The Fixture



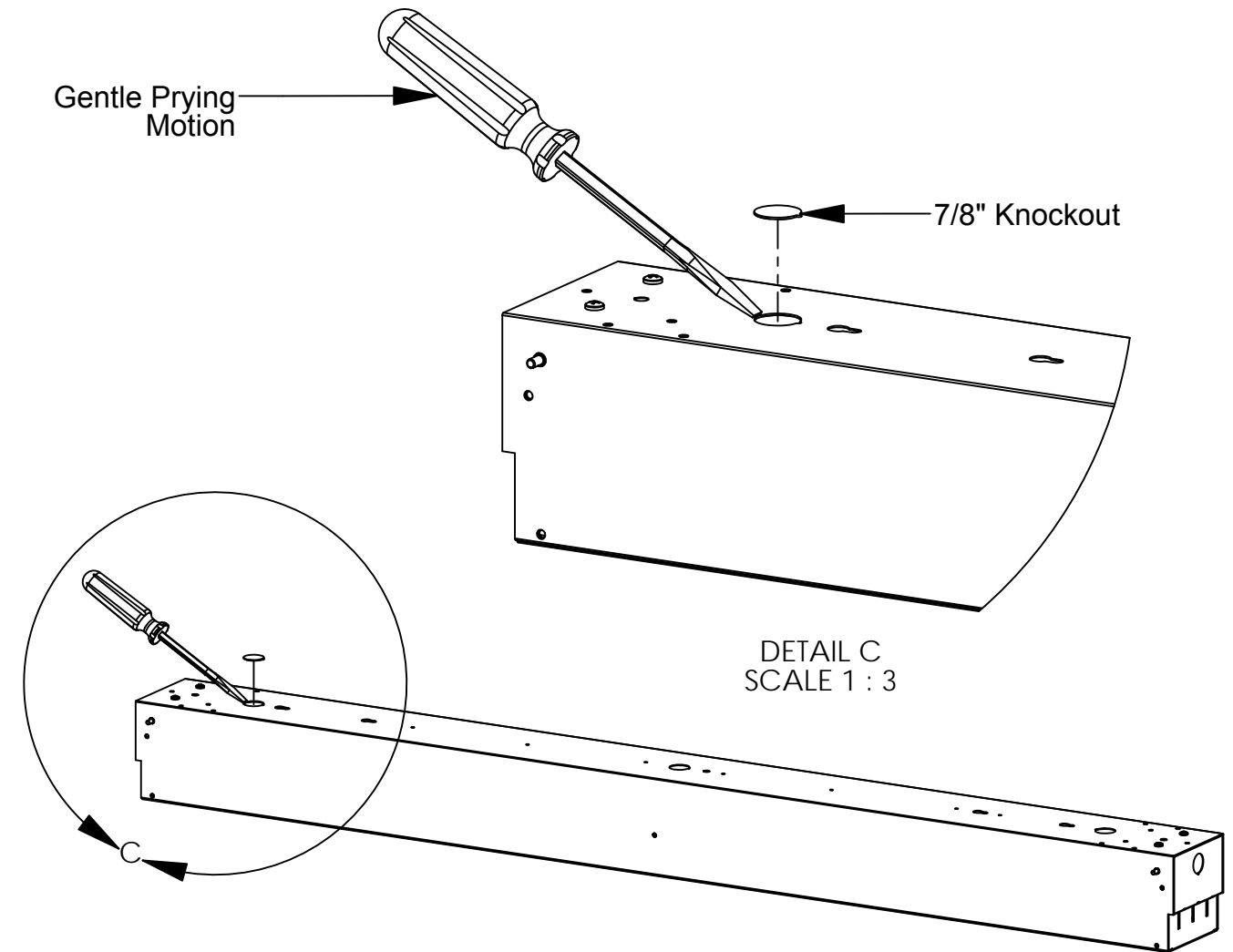
Texas Fluorescents Reinvented

A. Open The Fixture



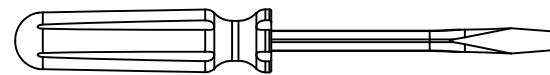
- Carefully insert a flat tip screwdriver, and use a gentle prying motion to remove lens.
- Remove the gear tray as shown. Set the lens and gear tray aside in a safe location.

B. Remove 7/8" Knockout



- Using a gentle prying motion, remove the 7/8" knock out from the desired location.

Items Used In This Step



Flat Tip Screwdriver

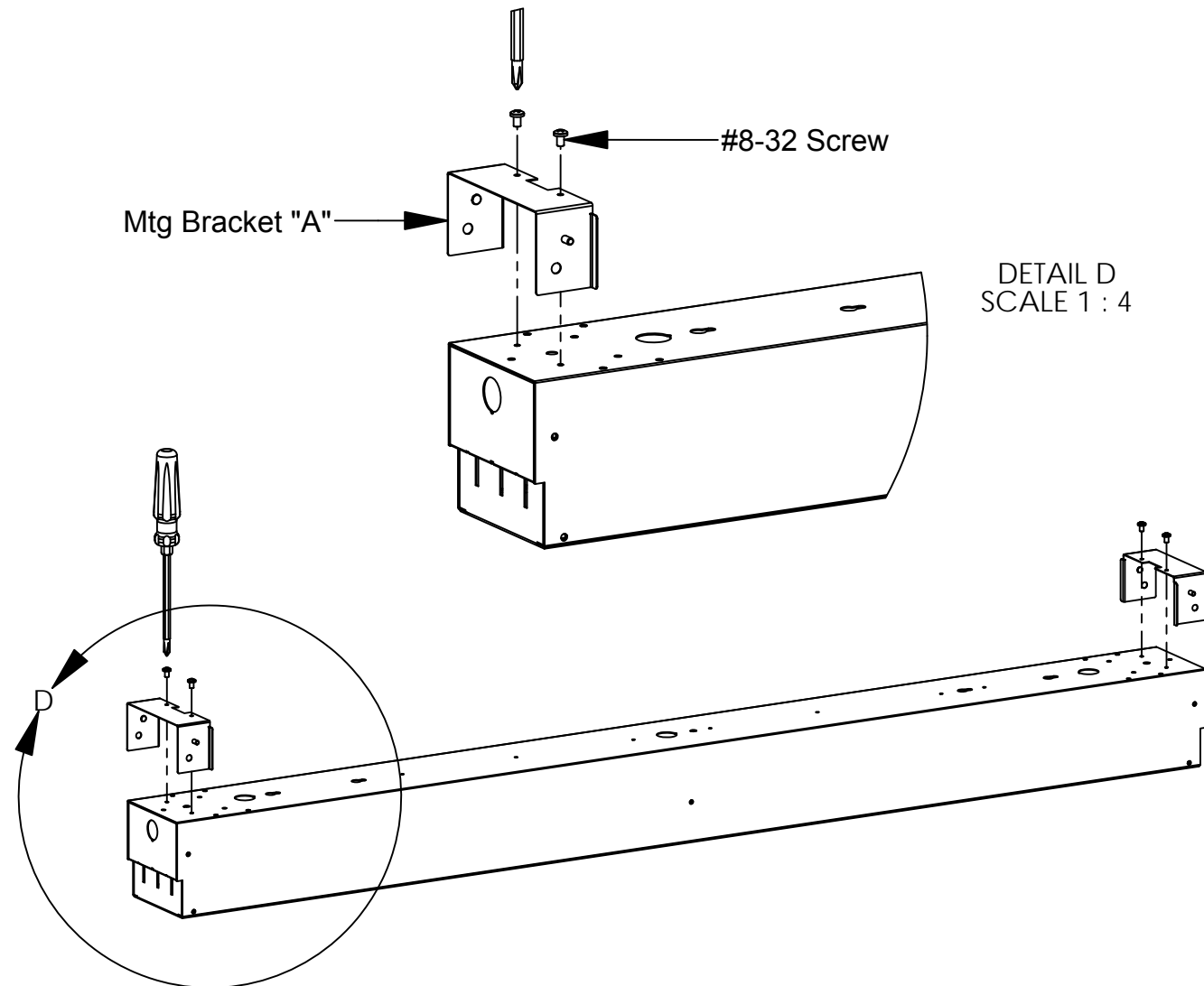
44-66-Recessed Grid Installation Instructions

Step 3 - Install Mounting Brackets



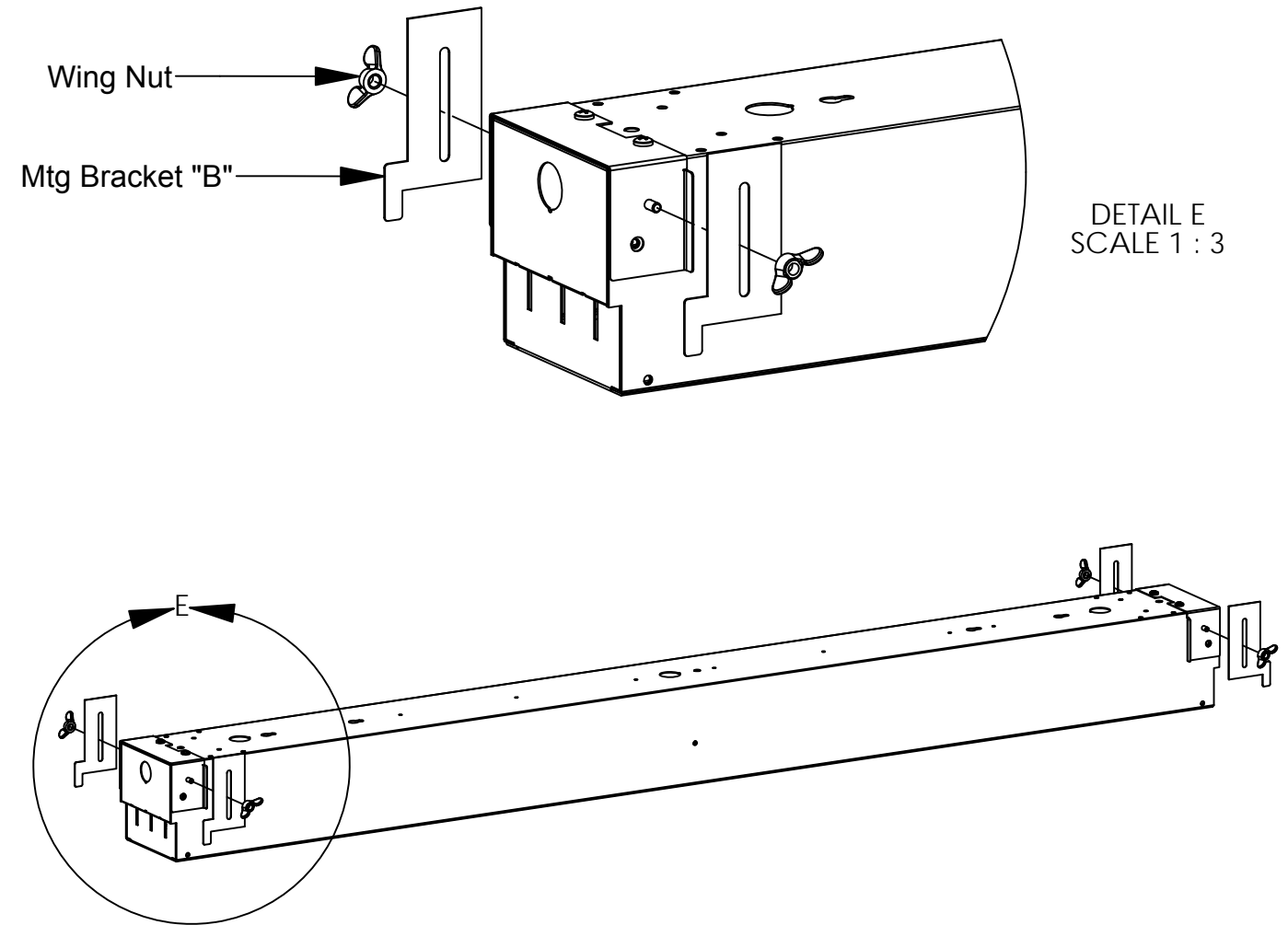
Texas Fluorescents Reinvented

A. Install Bracket "A"



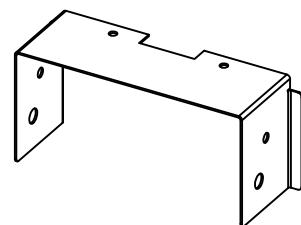
- Install the Mtg Bracket "A" as shown above. Secure using (2) #8-32 screws as shown.
- Repeat for opposite end of fixture.

B. Install Bracket "B"

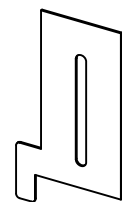


- Install Mtg Bracket "B" to the stud on Mtg Bracket "A" as shown. The flange positions bracket "B".
- Repeat for opposite end of fixture.
- Secure using the wing nuts provided.

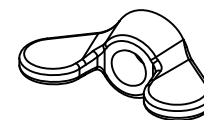
Items Used In This Step



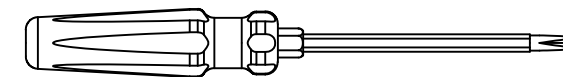
Grid Bracket "A"
(Provided)



Grid Bracket "B"
(Provided)



Wing Nut
(Provided)



Phillips Screwdriver

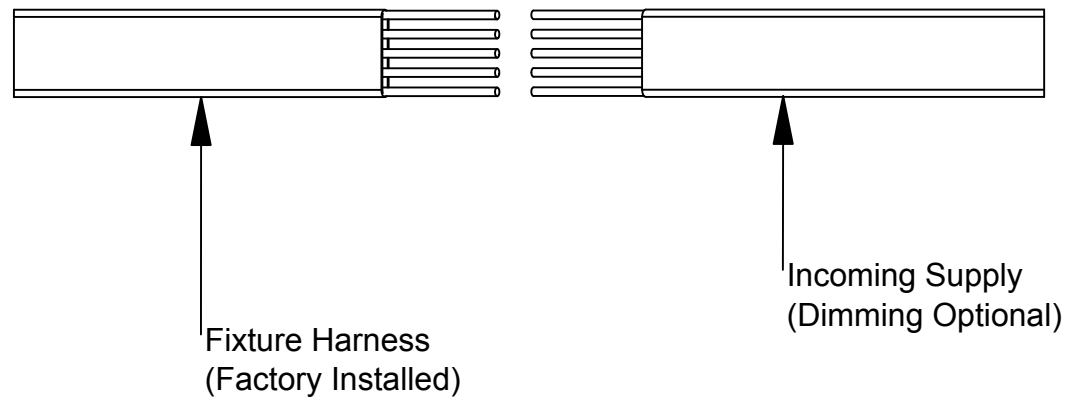
44-66-Recessed Grid Installation Instructions

Step 4 - Wire The Fixture



Texas Fluorescents Reinvented

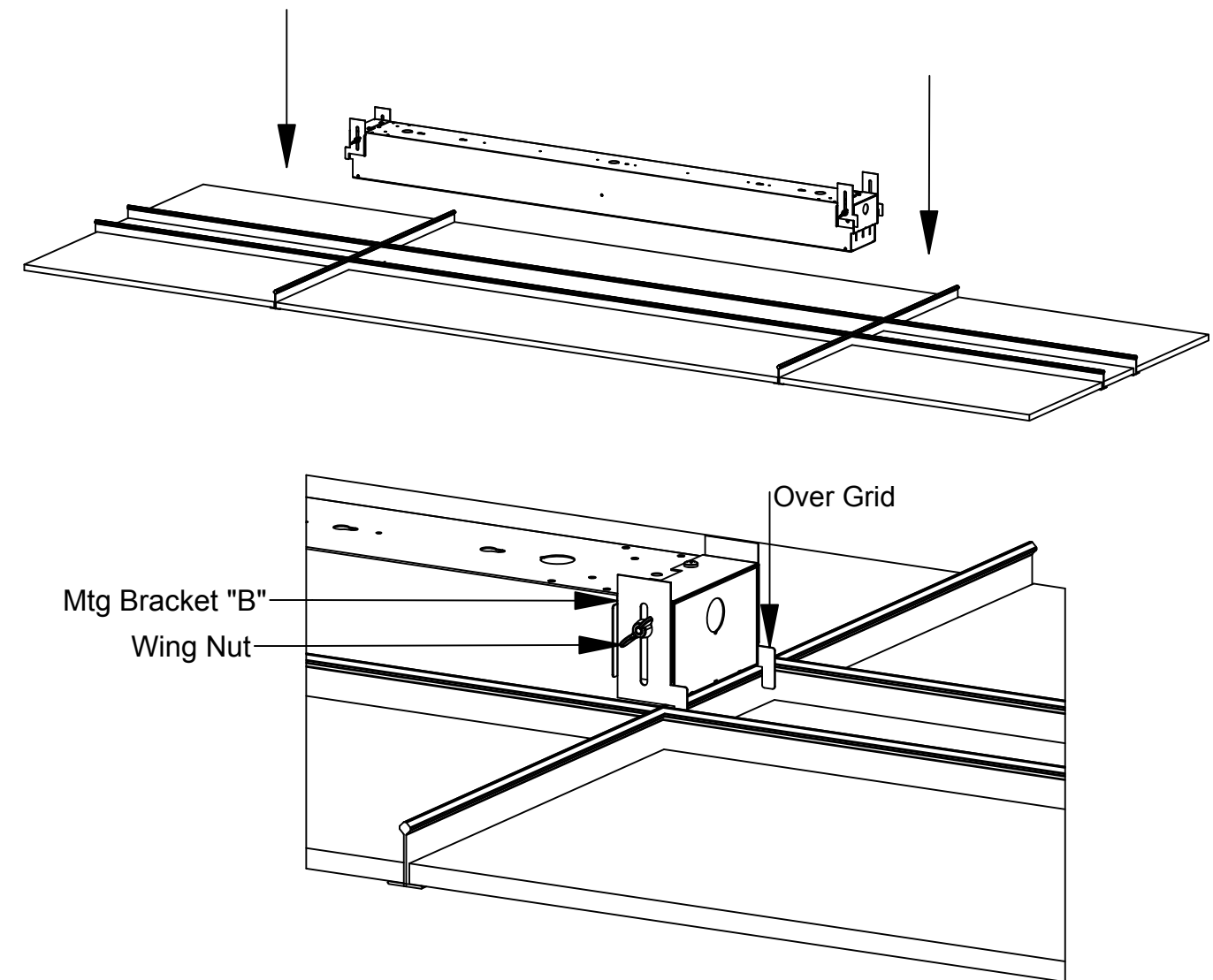
A. Connect Power Cord



WIRING LEGEND		
Black	Hot	Line Voltage
White	Neutral	Line Voltage
Green	Ground	
Gray	Dimming	0-10V DC
Violet	Dimming	0-10V DC

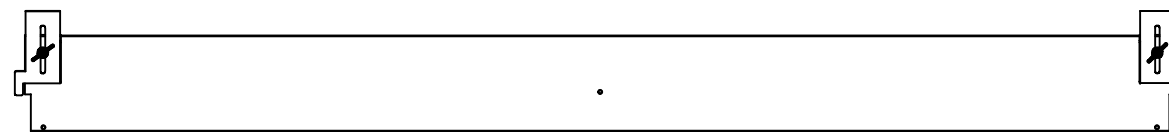
- Wire the fixture to the incoming supply. Refer to the wiring legend above as needed.
- **Note:** Use UL approved connectors only. Follow all local, state and national codes.

B. Install To The Grid



- Reinstall the gear tray and the lens previously removed.
- Install the fixture to the grid system as shown above.
- Loosen the wing nuts, and lower mtg bracket "B" so that it rests over the grid bar. Tighten wing nuts.
- Install in now complete.

Items Used In This Step



44/66-Recessed Grid Fixture (Assembled)