

44/66-Pendant Installation Instructions

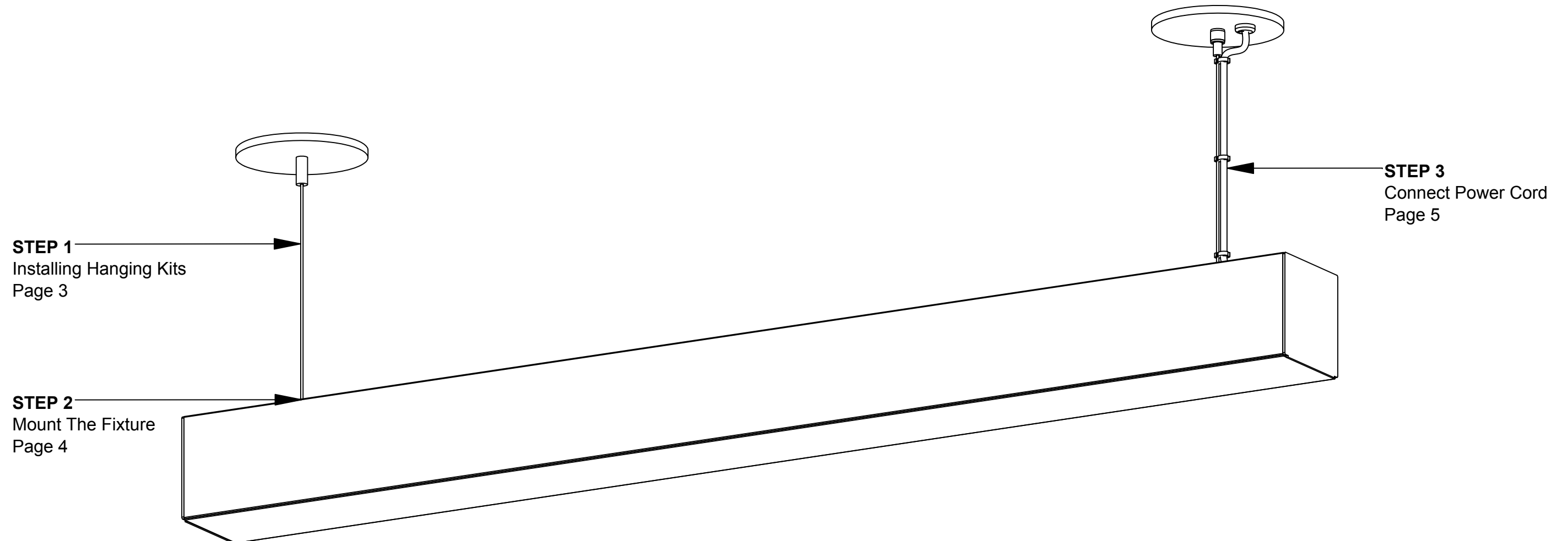
Overview

WARNINGS

- This product must be installed in accordance with all applicable codes by a person familiar with the product.
- Each luminaire must be **properly supported** during install.
- **DO NOT** join fixtures on the floor prior to lifting, or damage will occur.
- **Before beginning installation**, review our complete list of warnings by visiting www.saylite.com/warnings.



Texas Fluorescents Reinvented



We believe
in the power
of light.



Your particular build may vary.

2018© Saylite | 2055 Luna Road, Suite 142 Carrollton, Texas 75006 | www.saylite.com

1 of 5

Form BWE - 44/66-Pendant, V2 1/1/18

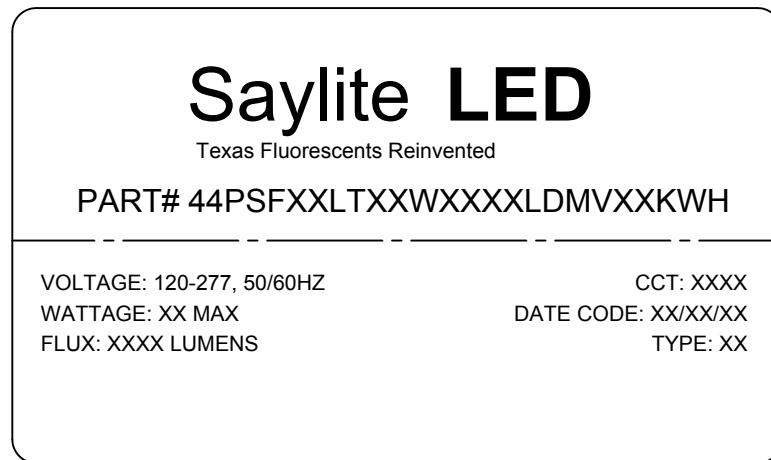
44/66-Pendant Installation Instructions

Preparation - Tools/Parts Identification



Texas Fluorescents Reinvented

A. Identify Fixtures

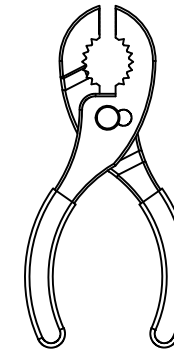


- Use labels found on the box and inside fixture bodies to identify bodies.
- **NOTE:** Locations of labels can vary.
- Remove all fixtures from their boxes.
- Organize fixtures based on their labels at the install location.

B. Tools Needed



Screwdriver



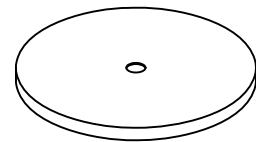
Pliers



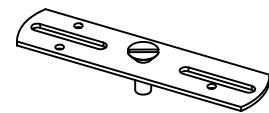
Safety Glasses

- Always use proper safety equipment when installing fixtures.
- Tools shown are recommended for standard install. Tools needed may vary based on actual install location conditions.

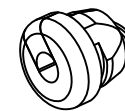
C. Identify Parts



5" White Canopy - Non Power
PN: CBGCAN51W



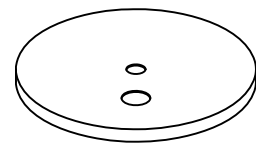
Mounting Bar
PN: HMCGEMBARS1/8GN



Wire Strain Relief
PN: HEYCO 1210



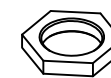
Pendant Cable
PN: PCBL3014FT



5" White Canopy - Power
PN: CBGCAN52W



Pendant Cable Clip
PN: PCC375



301-Pendant Nut
PN: 301PNUT1/2



Pendant Cable Cuff
PN: PCCUF301



Cable End
PN: CBLEND301



Pendant Power Cord
PN: PPC3014FT

- Read entire install instructions before beginning installation.
- Unpack all components and arrange in order of install steps.
- For help with installation, please contact us at www.saylite.com or call us at (972) 247-3171.

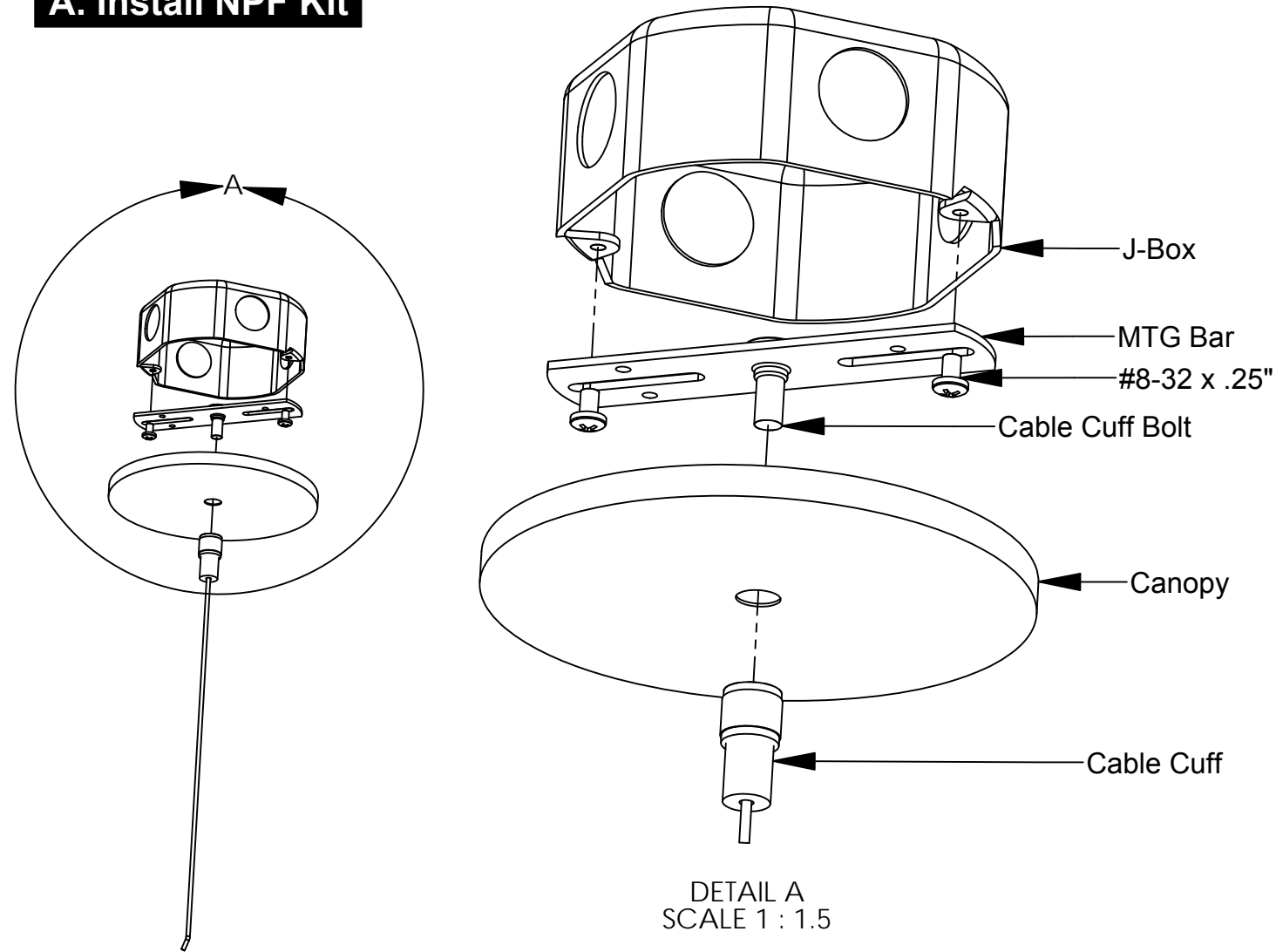
44/66-Pendant Installation Instructions

Step 1 - Installing Hanging Kits



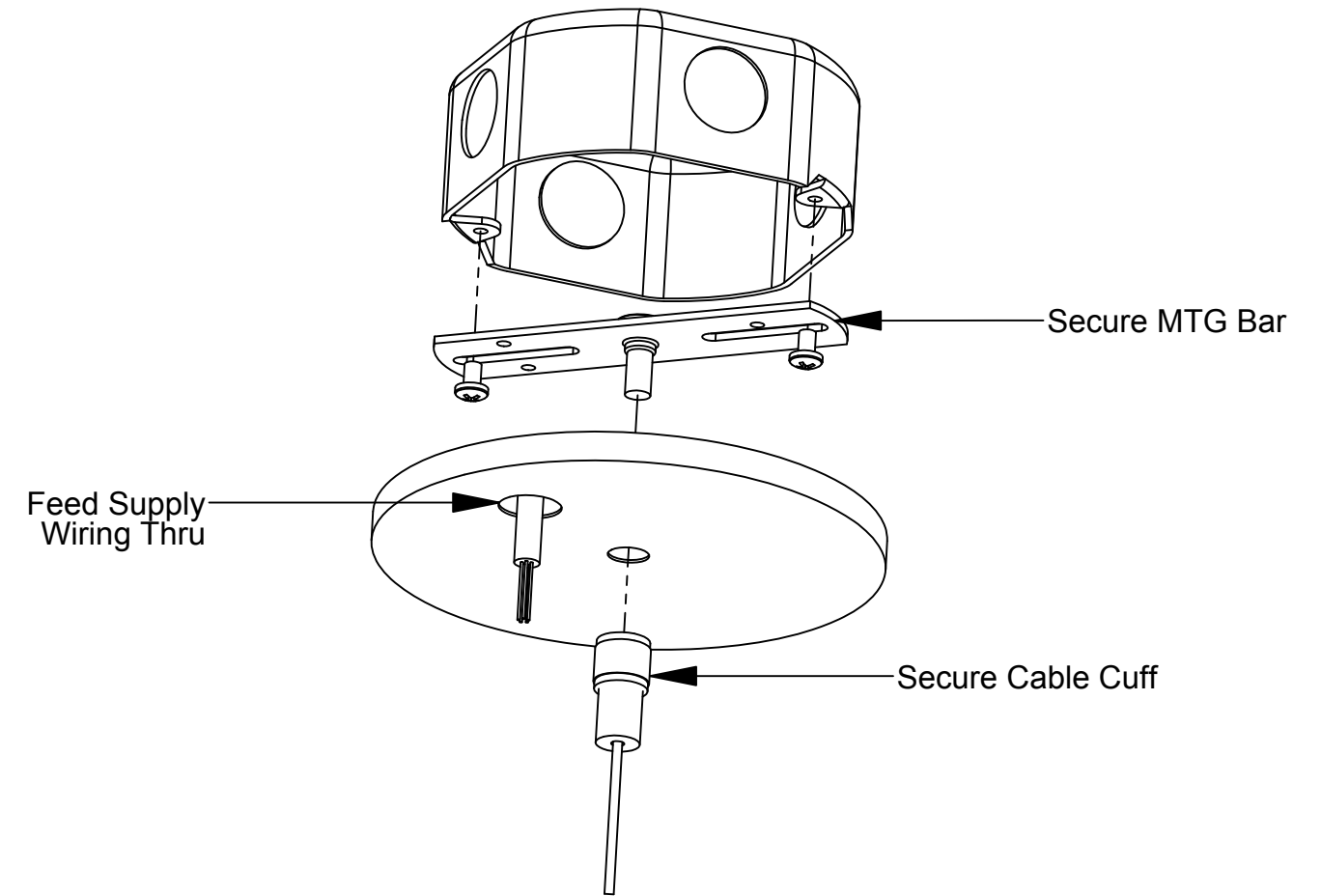
Texas Fluorescents Reinvented

A. Install NPF Kit

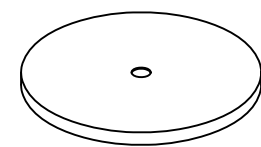


- Secure the mounting bar to the existing J-Box using the (2) #8-32 x .25" machine screws provided.
- Install the canopy over the cable cuff bolt with the outside edge facing upwards.
- Secure the cable cuff to the bolt, and tighten 1/4 turn with pliers.

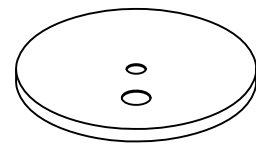
B. Install PF Kit



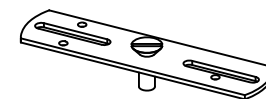
- Repeat the previous steps to install the mounting bar to the J-Box.
- Feed the supply wiring thru the canopy prior to install.
- Repeat the previous steps to install the cable cuff to the bolt.



5" White Canopy - Non Power
(Provided)



5" White Canopy - Power
(Provided)



Mounting Bar
(Provided)



Pendant Cable
(Provided)

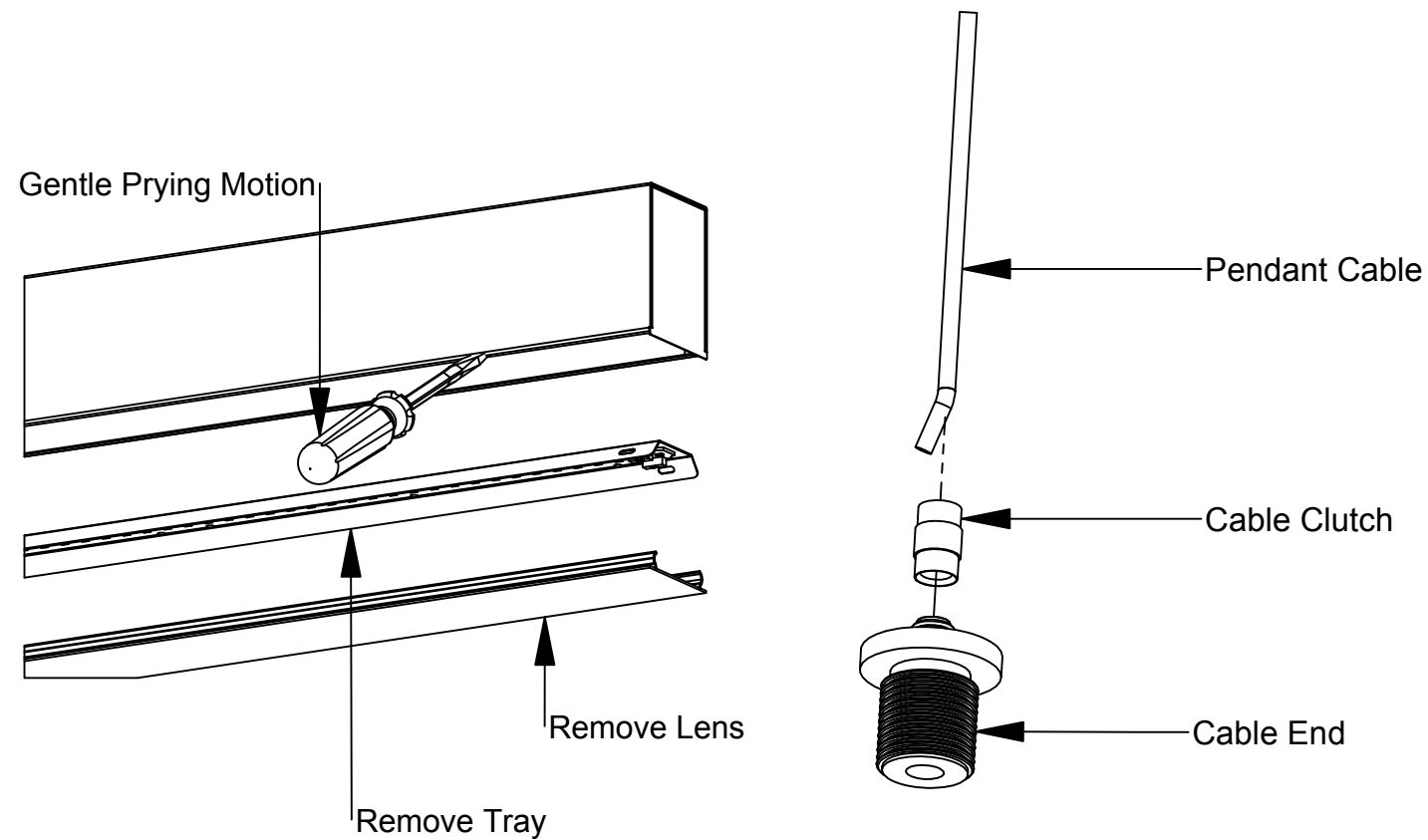
44/66-Pendant Installation Instructions

Step 2 - Mount The Fixture



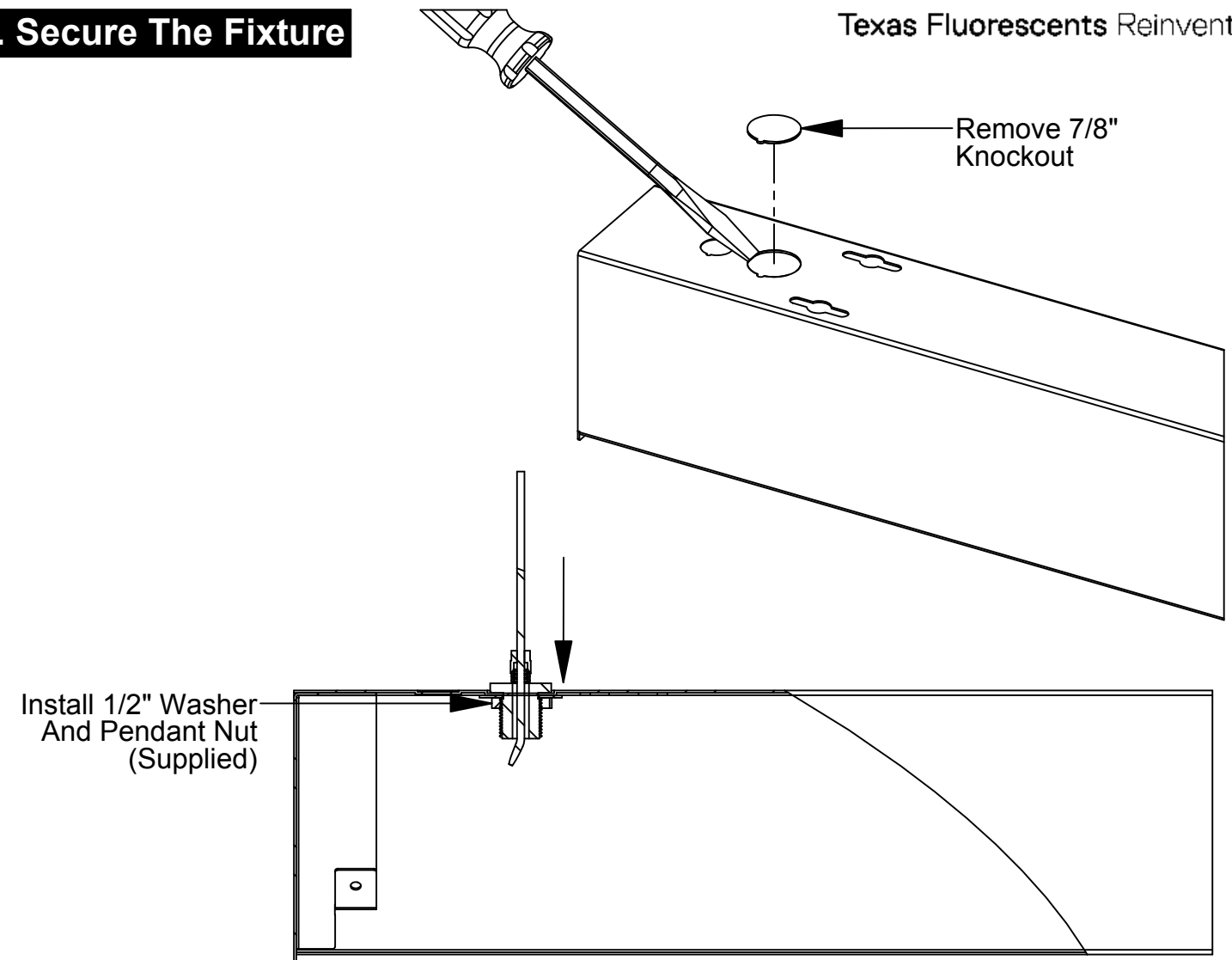
Texas Fluorescents Reinvented

A. Prepare Cable Assembly

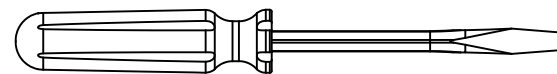


- Remove the lens from the fixture by gently prying with a flat tip screwdriver as shown above.
- Remove the gear tray from the fixture by using a gentle prying motion with the flat tip screwdriver.
- Install the cable clutch to the pendant cable as show, then thread the cable end to the cable clutch.
- The cable assembly is now ready to receive the fixture.

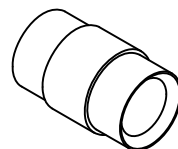
B. Secure The Fixture



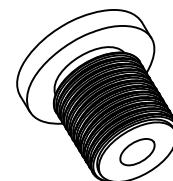
- Using a flat tipped screwdriver, remove the 7/8" knockout from the fixture in the desired location.
- Insert the cable end in to the knock out. Secure the end using the provided 1/2" washer and nut.
- Repeat steps to secure the power end of the fixture to the other preinstalled hanging kit.
- Tighten the nut 1/4 turn with pliers. Secure both ends of the fixture.



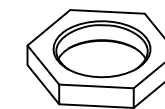
Flat Tip Screwdriver



Pendant Cable Cuff
(Provided)



Cable End
(Provided)



301-Pendant Nut
(Provided)

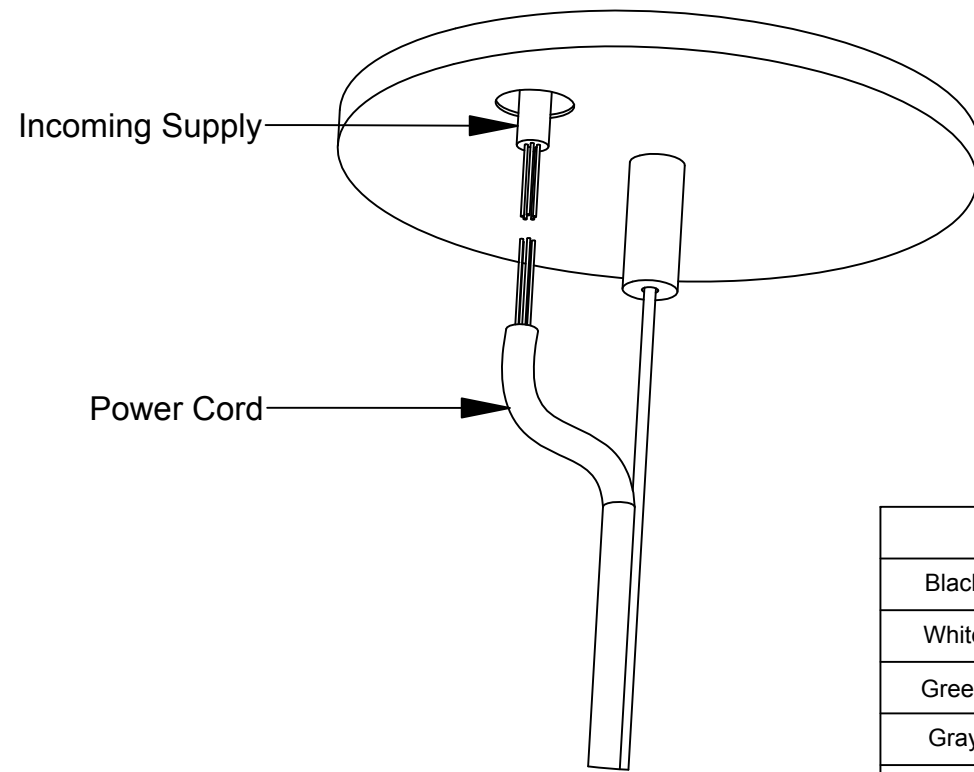
44/66-Pendant Installation Instructions

Step 3 - Connect Power Cord



Texas Fluorescents Reinvented

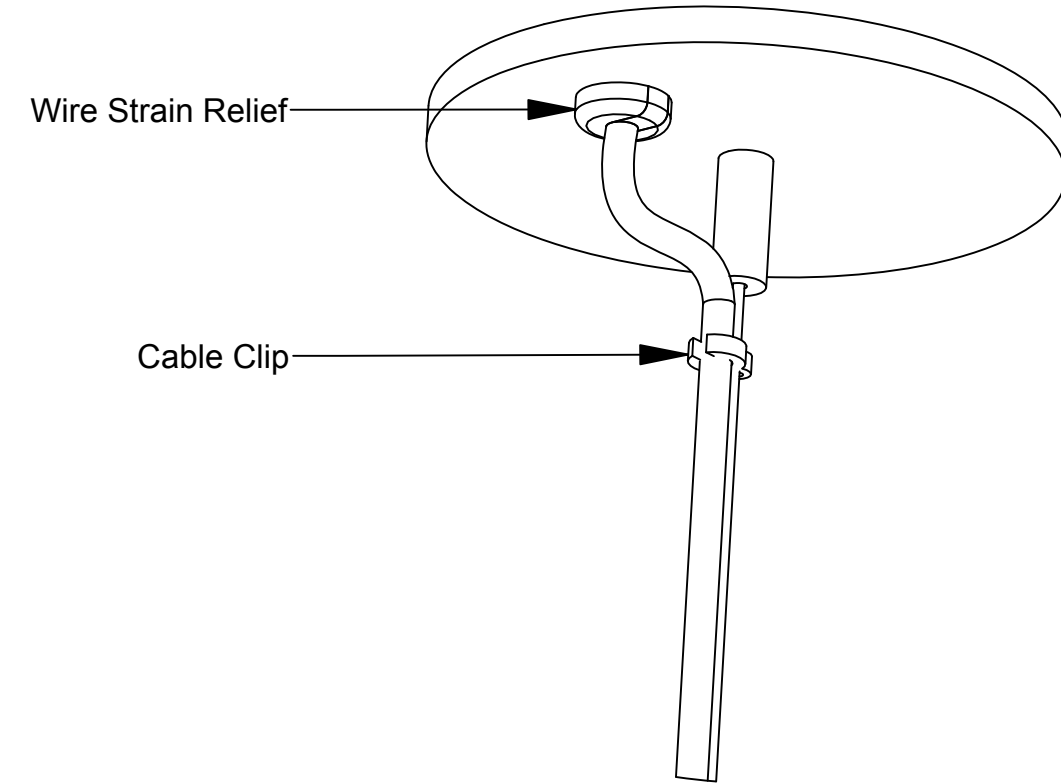
A. Connect The Wires



WIRING LEGEND		
Black	Hot	Line Voltage
White	Neutral	Line Voltage
Green	Ground	
Gray	Dimming	0-10V DC
Violet	Dimming	0-10V DC

- Connect the incoming supply to the power cord by following all local, state and national codes.
- Match wire colors together. Refer to the chart above as needed.

B. Install Grommet / Cable Clip



- After connecting the wires, feed the connections back in to the J-Box.
- Install the wire strain relief, and press in to the opening until it clicks in to place.
- Install the cable clip as shown above. Install is now complete.



Pendant Cable Clip
(Provided)



Wire Strain Relief
(Provided)



Pendant Power Cord
(Provided)