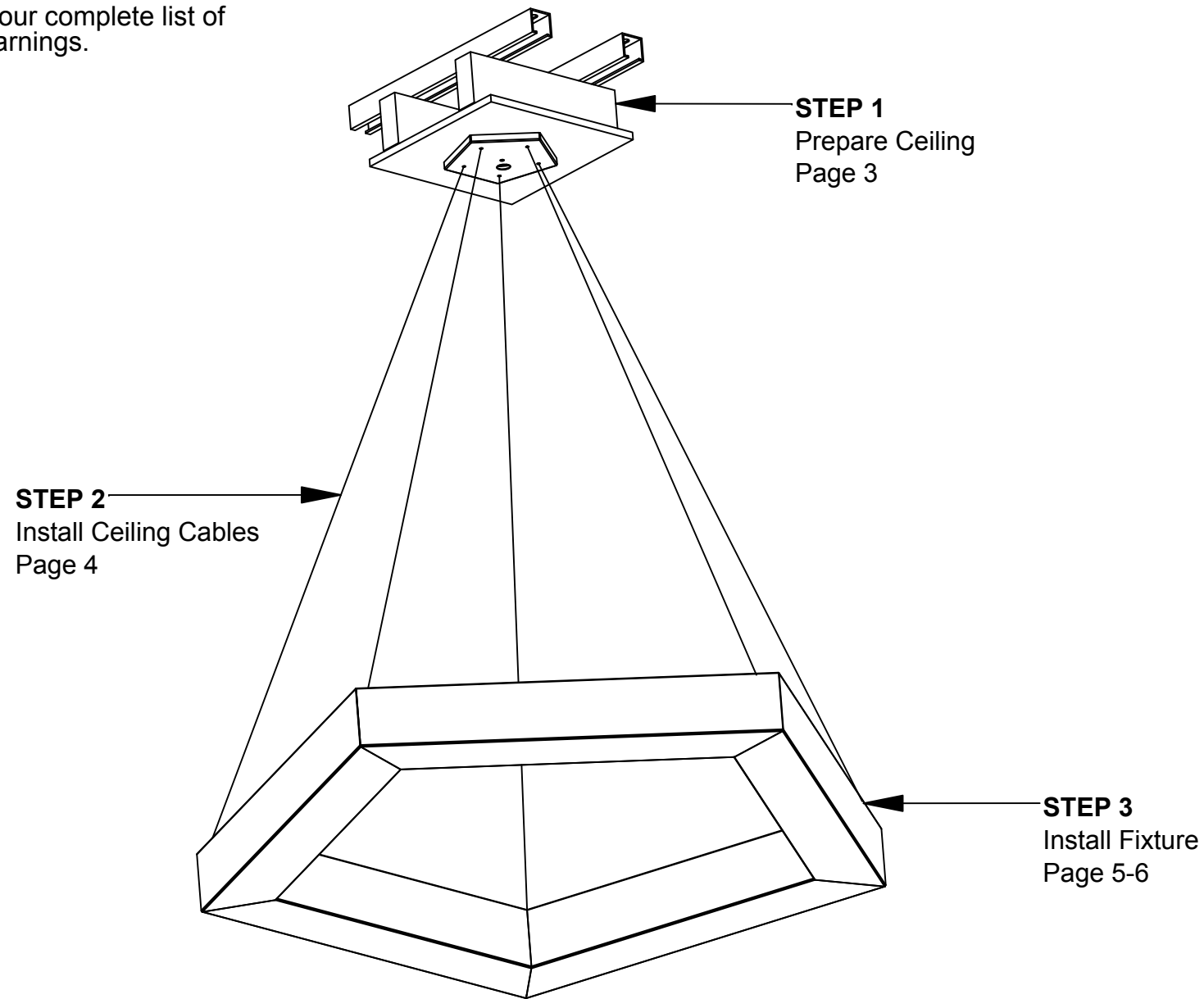


44-66 PENDANT PENTAGON Installation Instructions

Overview

WARNINGS

- This product must be installed in accordance with all applicable codes by a person familiar with the product.
- Each luminaire must be **properly supported** during install.
- **DO NOT** join fixtures on the floor prior to lifting, or damage will occur.
- **Before beginning installation**, review our complete list of warnings by visiting www.saylite.com/warnings.



We believe
in the power
of light.



Your particular build may vary.

2019© Saylite | 2055 Luna Road, Suite 142 Carrollton, Texas 75006 | www.saylite.com

1 of 6

Form BWE - 44-66 Pendant Pentagon, V1 10/19

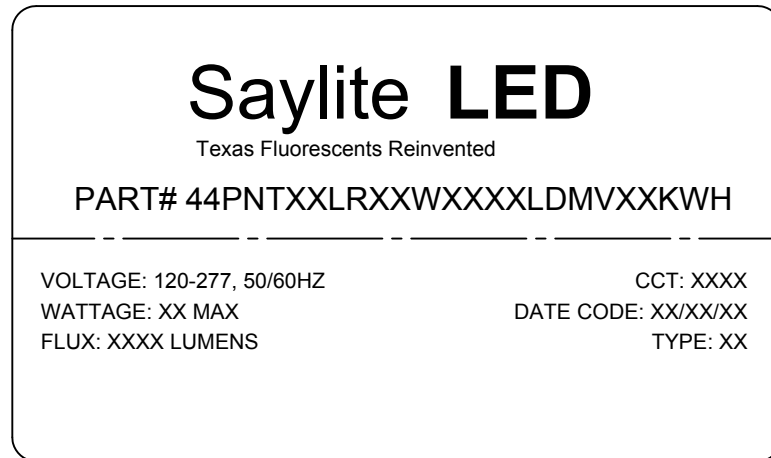
44-66 PENDANT PENTAGON Installation Instructions

Preparation - Tools/Parts Identification



Texas Fluorescents Reinvented

A. Identify Fixtures

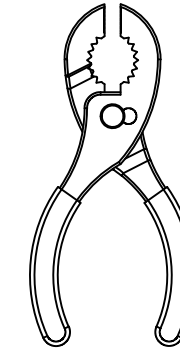


- Use labels found on the box and inside fixture bodies to identify bodies.
- **NOTE:** Locations of labels can vary.
- Remove all fixtures from their boxes.
- Organize fixtures based on their labels at the install location.

B. Tools Needed



Screwdrivers



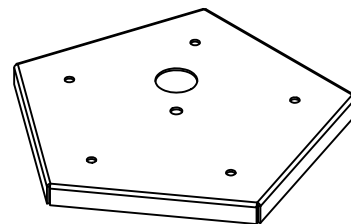
Pliers



Safety Glasses

- Always use proper safety equipment when installing fixtures.
- Tools shown are recommended for standard install. Tools needed may vary based on actual install location conditions.

C. Identify Parts



POLYGON PENDANT CANOPY
PN: HKIT_BOX



POLYGON PENDANT HANGING KIT
ONE PER FIXTURE

- Read entire install instructions before beginning installation.
- Unpack all components and arrange in order of install steps.
- For help with installation, please contact us at www.saylite.com or call us at (972) 247-3171.

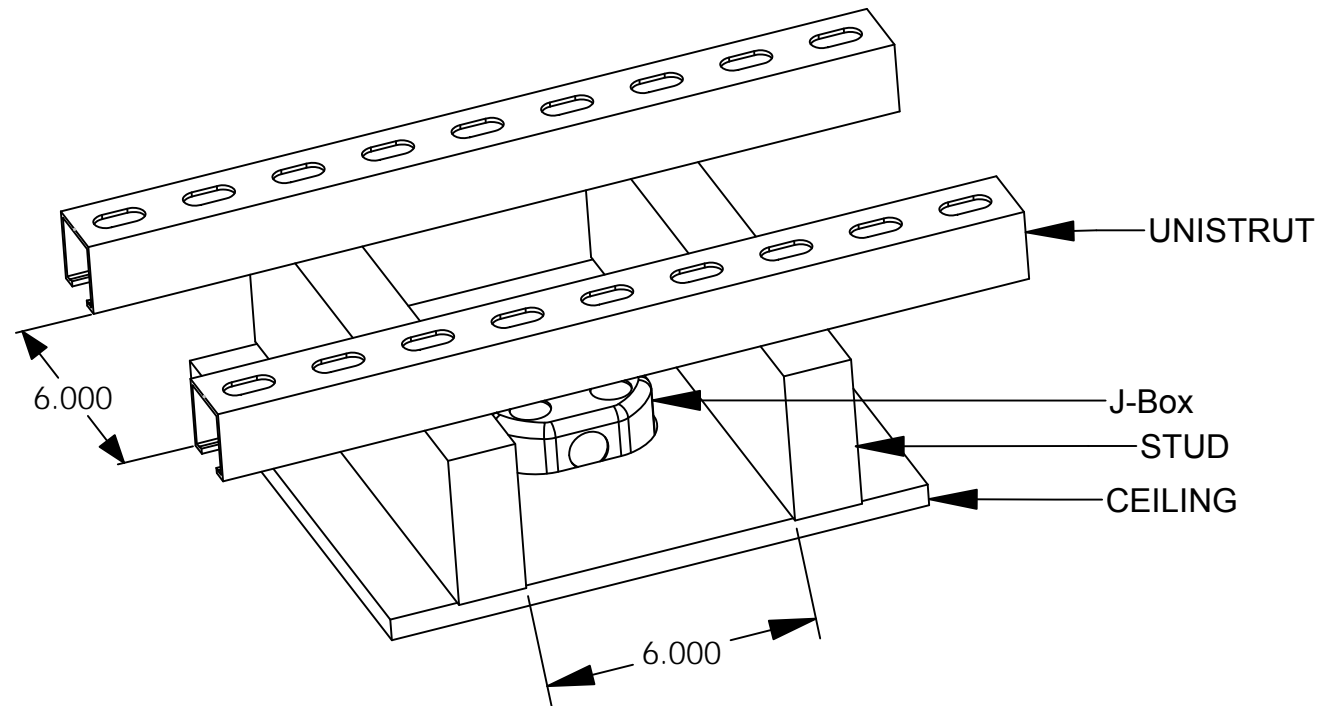
44-66 PENDANT PENTAGON Installation Instructions

Step 1 - Prepare Ceiling



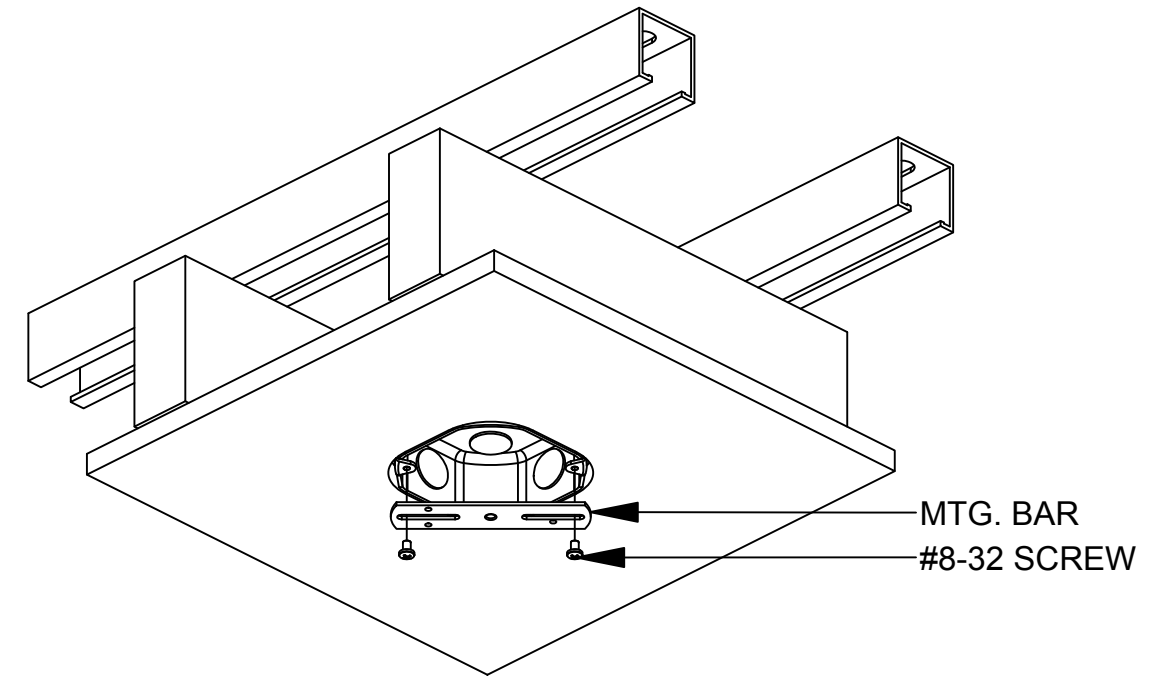
Texas Fluorescents Reinvented

A. Install Ceiling Bracing



- **NOTE: Ceiling bracing installed in this step must be able to support fixture weight of 100lbs.**
- Securely install J-Box in desired location, flush with the outside face of ceiling panel.
- Securely install 2 ceiling studs on either side of the J-Box at 6" between inside faces.
- Securely install 2 pieces of Unistrut upon the ceiling studs at a 6" between inside faces.

B. Install Mounting Bar



- **NOTE: Confirm bracing installed in previous step is able to support fixture weight of 100lbs.**
- Install the mounting bar to the J-Box using 2 #8-32 screws as shown.

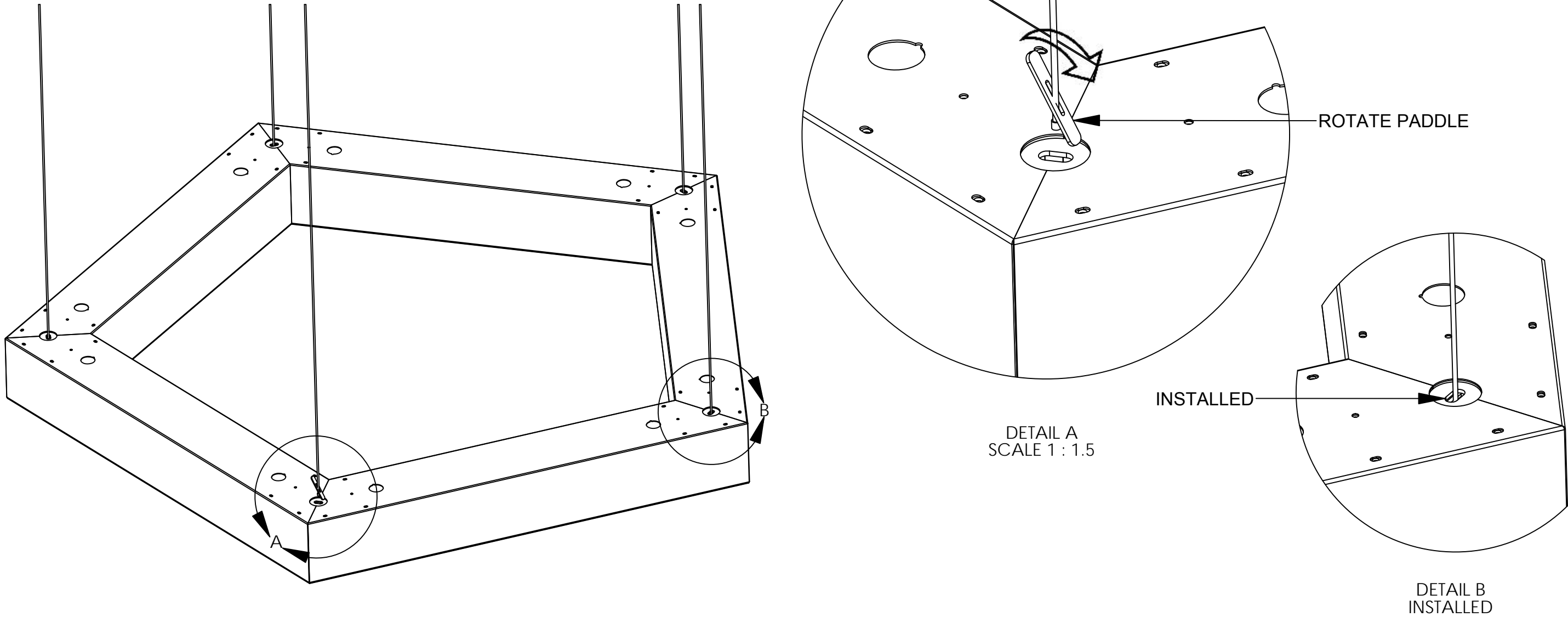


POLYGON PENDANT HANGING KIT

44-66 PENDANT PENTAGON Installation Instructions

Step 2 - Install Ceiling Cables

A. Install Ceiling Cables



- Once the shipping crate is opened, locate the hanging kit and remove all steel cables.
- Feed C-3/32 cable in to the oblong as shown by rotating the paddle as parallel to the cable as possible (see detail "A").
- Repeat for the remaining cables. The fixture is now ready to be secured to the ceiling bracing.

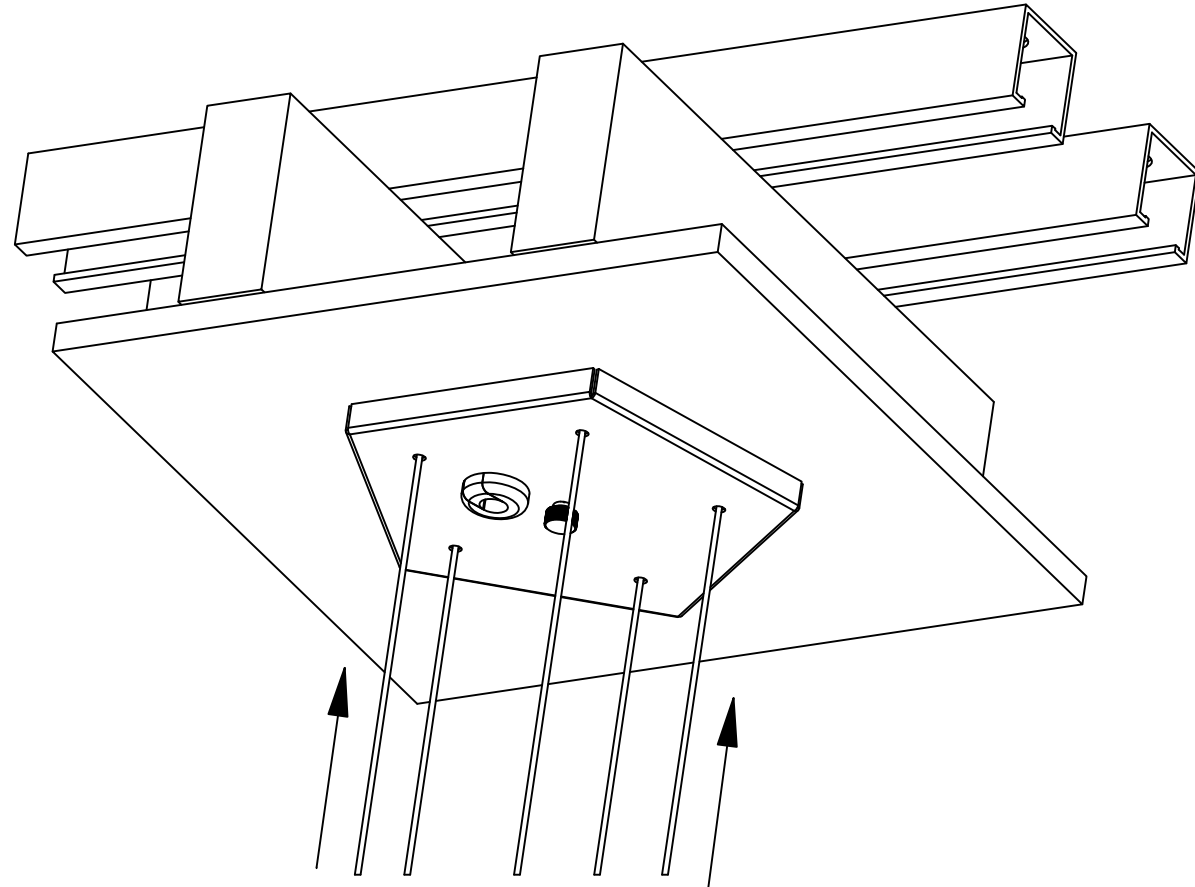


POLYGON PENDANT HANGING KIT

44-66 PENDANT PENTAGON Installation Instructions

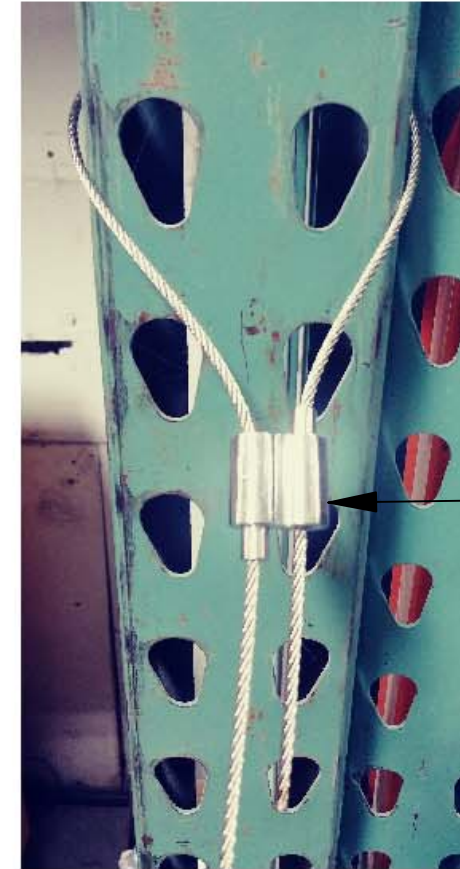
Step 3 - Install Fixture

A. Install Fixture Cables



- Pass C-3/32 cable thru the polygon pendant canopy in the direction and orientation shown.
- Repeat for all remaining cables.

B. Hang The Sections



PASS CABLE AROUND UNISTRUT,
SECURE TO OPPOSITE SIDE

- Pass the C-3/32 cable thru one side of the C-3/32 Loop Gripper, around the preinstalled Unistrut and back in to the opposite side of the Loop Gripper as shown. Repeat for all remaining cables.
- Adjust cables to desired length at this time.



POLYGON PENDANT HANGING KIT

44-66 PENDANT PENTAGON Installation Instructions

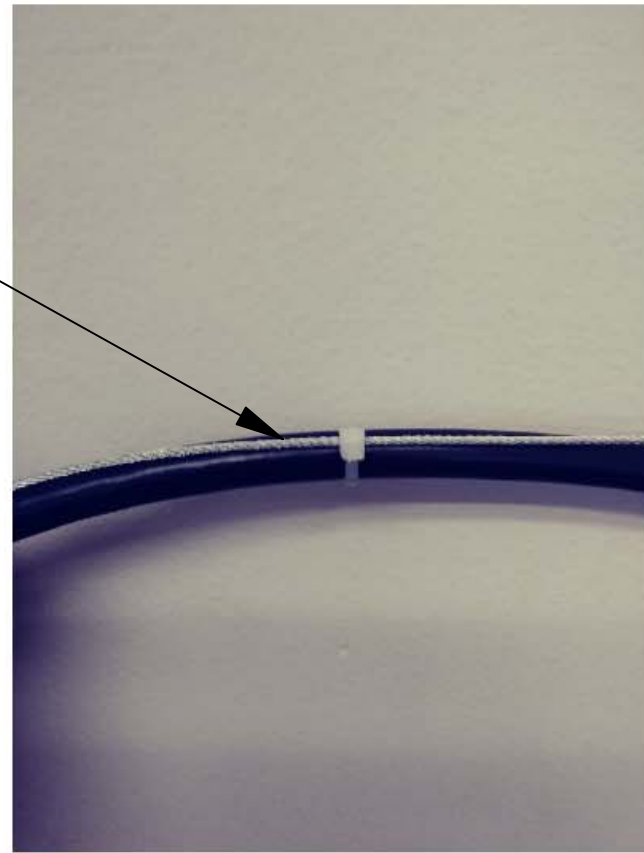
Step 3 - Install Fixture (Cont.)



Texas Fluorescents Reinvented

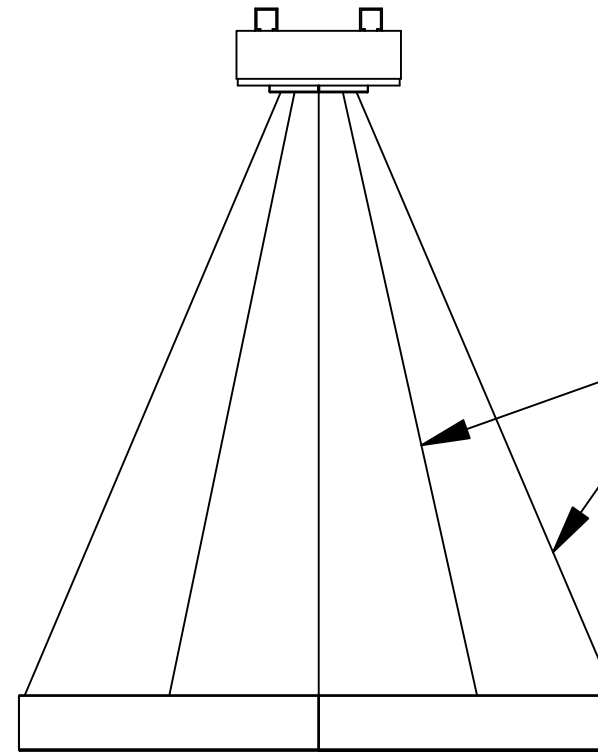
A. Secure The Canopy

SECURE POWER CABLE TO
PENDANT CABLE USING ZIP TIES



- Run the power cable up the desired fixture pendant cable to the polygon pendant canopy.
- Secure the power cable to the pendant cables using zip ties.
- Secure the power cable to the polygon pendant canopy using the cable strain relief.

B. Level/Wire The Fixture



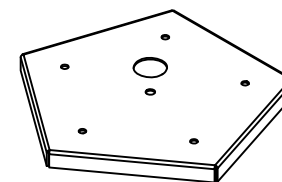
ADJUST CABLES
TO LEVEL FIXTURE

WIRING LEGEND		
Black	Hot	Line Voltage
White	Neutral	Line Voltage
Green	Ground	
Gray	Dimming	0-10V DC
Violet	Dimming	0-10V DC

- Make final adjustments of cables, ensuring fixture is level.
- Wire the fixture to the incoming supply according to all local, state and national codes.
- Fixture install is now complete.



POLYGON PENDANT HANGING KIT



POLYGON PENDANT CANOPY