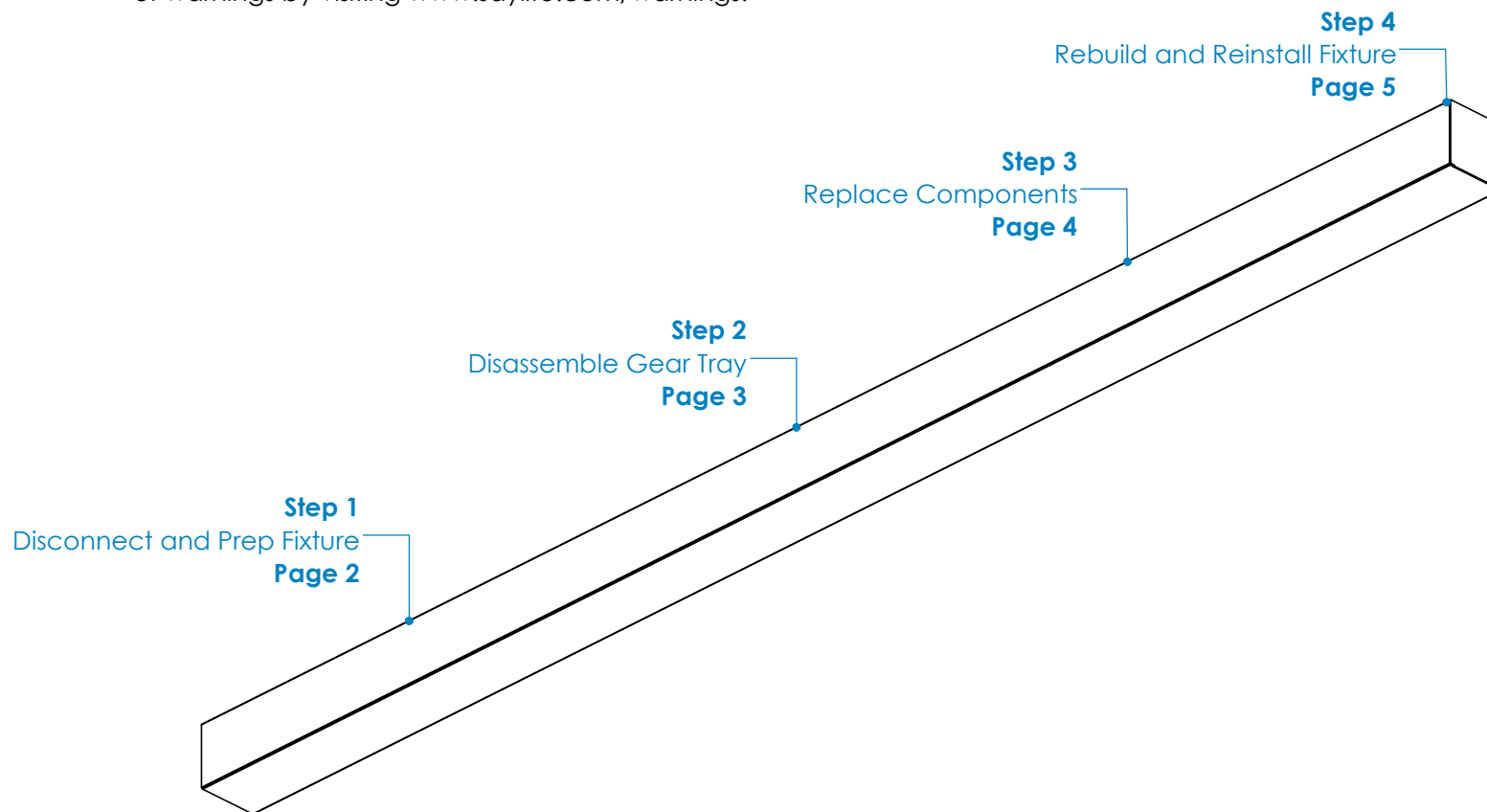


44 Gear Tray Replacement Instructions

Overview

WARNINGS

- This product must be installed in accordance with all applicable codes by a person familiar with the product.
- Each fixture must be **properly supported** during install.
- **DO NOT** join fixtures on the floor prior to lifting, or damage will occur.
- **Before beginning installation**, review our complete list of warnings by visiting www.saylite.com/warnings.



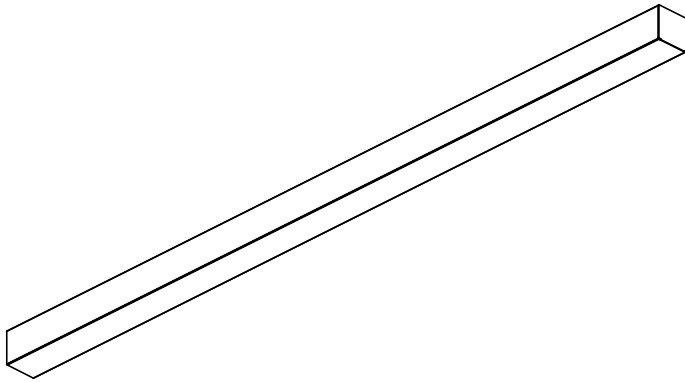
Your particular build may vary.

2020© Saylite | 2055 Luna Road, Suite 142 Carrollton, Texas 75006 | www.saylite.com

44 Gear Tray Replacement Instructions

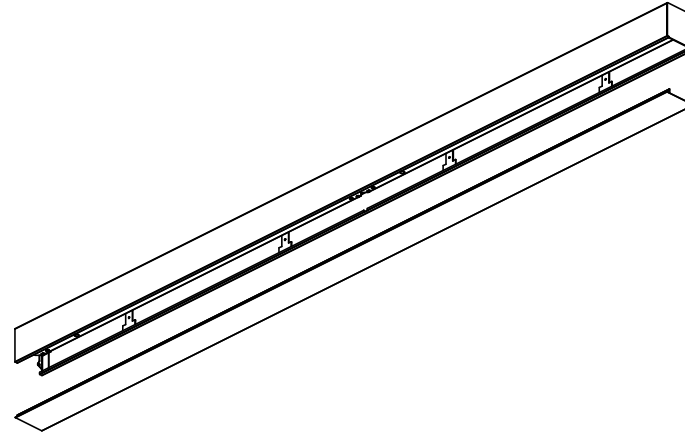
Step 1 - Disconnect Power and Prepare Fixture

A. Disconnect Power



- Turn power to fixture and any connected fixtures OFF before performing any maintenance.
- After disconnecting power, test to ensure fixture is not receiving any power before proceeding.

B. Remove Lens

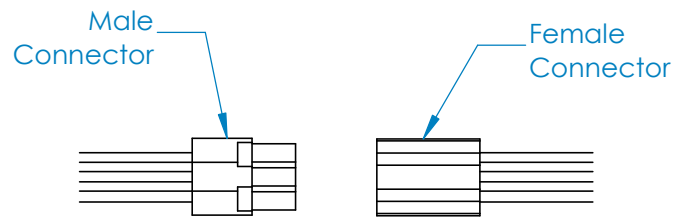


- Use a flat head screwdriver to gently pry out the lens. Start from one end of the lens and work down the length of the fixture.

44 Gear Tray Replacement Instructions

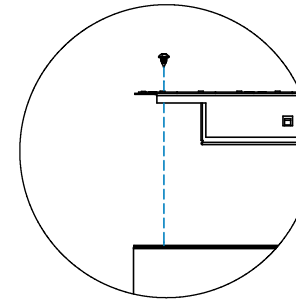
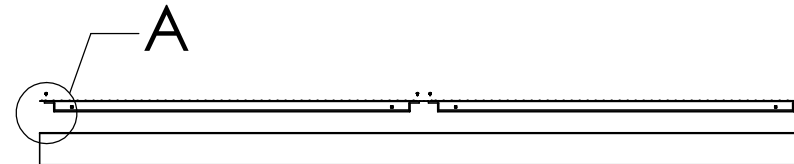
Step 2 - Disconnect and Remove Old Gear Tray Assembly

A. Disconnect Gear Tray Wiring



- Disconnect wiring from power feed to fixture and disconnect any connectors between joining fixtures.

B. Lift Gear Tray Out of Fixture



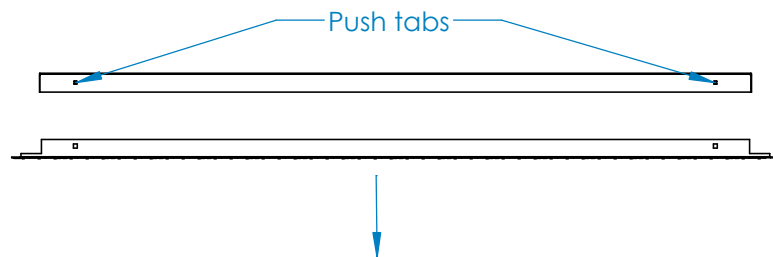
DETAIL A
SCALE 1 : 5

- Remove the 4 screws securing each gear tray assembly.
- Lift the gear tray assemblies out of the fixture pan and set aside.

44 Gear Tray Replacement Instructions

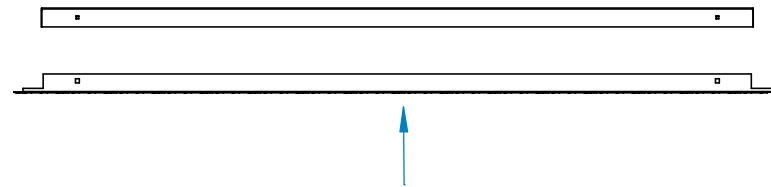
Step 3 - Replace Components

A. Disassemble Gear Tray Assembly



- Push in the tabs on the upper section of the gear tray assembly to remove the gear tray.
- Take note of the LED board wiring, especially the red and blue LED board wires. This is vital for proper installation of new gear trays.

B. Install New Gear Tray



- PSlide the new gear tray onto the assembly until the push tabs snap into place.
- Wire the new LED boards to the driver in the exact same way the previous LED boards were wired. Any differences in wiring can lead to malfunction.

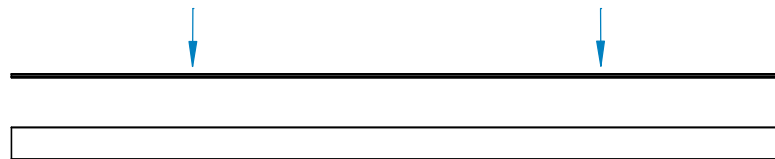
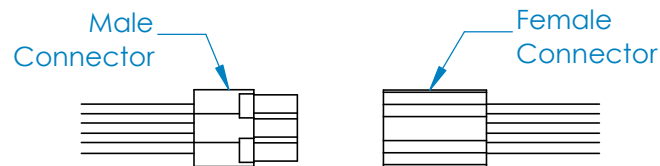
44 Gear Tray Replacement Instructions

Step 4 - Reinstall Components and Fixture



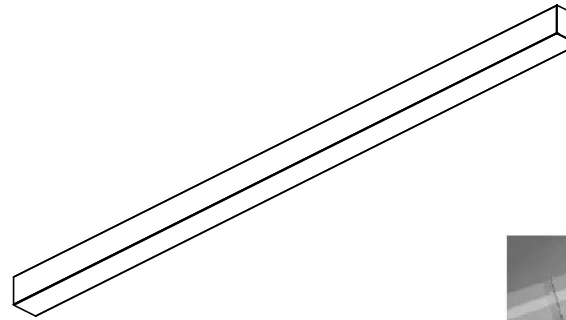
Texas Fluorescents Reinvented

A. Replace GT Assembly and Reinstall Lens

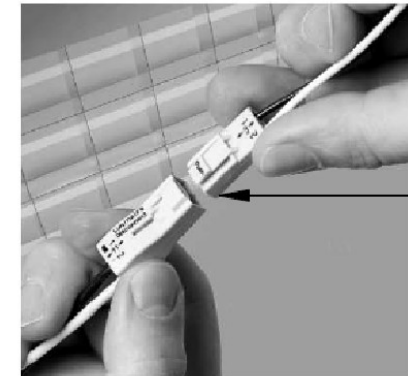


- Replace the new gear tray assemblies using the screws removed in Step 2.
- Rejoin any connectors between fixtures, making sure the connectors click into place.
- Reinstall the lens to the fixture.

B. Rewire and Reinstall Fixture



WIRING LEGEND		
BLACK	HOT	Line Voltage
WHITE	NEUTRAL	Line Voltage
GREEN	GROUND	
GRAY	DIMMING	0-10V DC
VIOLET	DIMMING	0-10V DC



- Rewire fixture to the power supply using the quick disconnect previously used in the fixture.
- For dimming option, refer to wiring legend above.
- Use UL approved connectors only. Follow all local, state and national codes.
- Reinstall the fixture to the previous mounting surface.
- Gear tray replacement is now complete.