

44 HEX HANGING KIT Installation Instructions

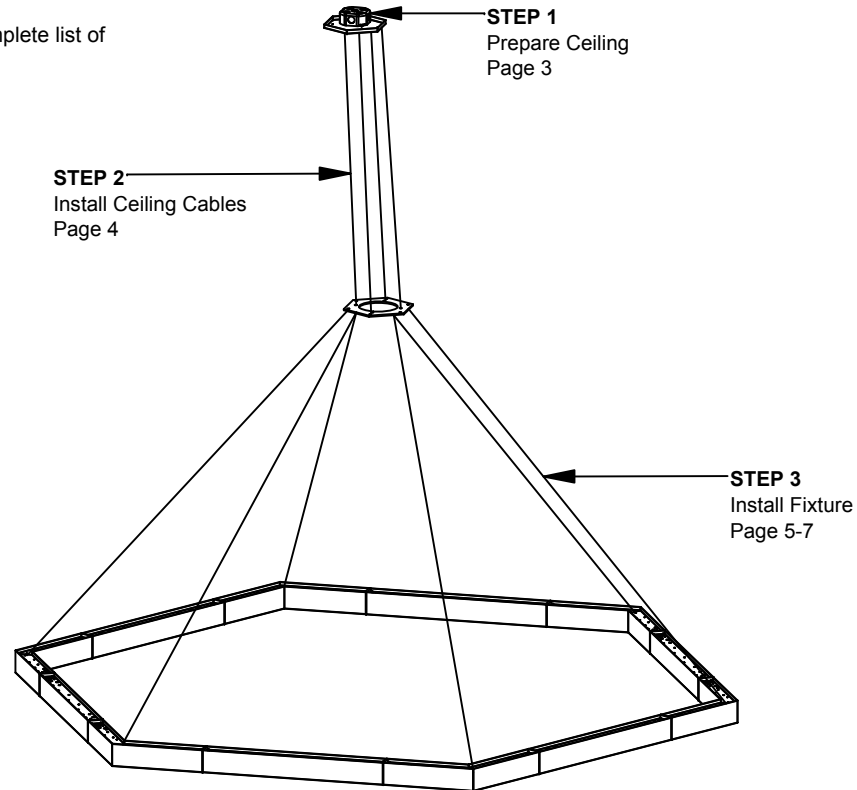
Overview

WARNINGS

- This product must be installed in accordance with all applicable codes by a person familiar with the product.
- Each luminaire must be **properly supported** during install.
- **DO NOT** join fixtures on the floor prior to lifting, or damage will occur.
- **Before beginning installation**, review our complete list of warnings by visiting www.saylite.com/warnings.



Texas Fluorescents Reinvented



We believe
in the power
of light.



Your particular build may vary.

2019© Saylite | 2055 Luna Road, Suite 142 Carrollton, Texas 75006 | www.saylite.com

1 of 7

Form BWE - 44 Hex Hanging Kit, V2 5/19

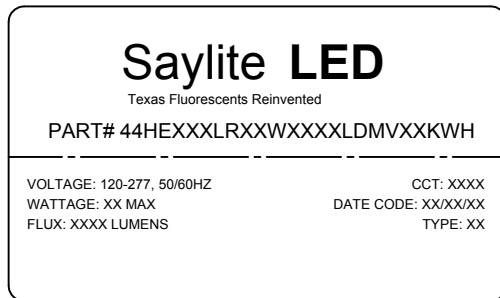
44 HEX HANGING KIT Installation Instructions

Preparation - Tools/Parts Identification



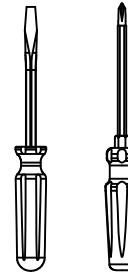
Texas Fluorescents Reinvented

A. Identify Fixtures



- Use labels found on the box and inside fixture bodies to identify bodies.
- **NOTE:** Locations of labels can vary.
- Remove all fixtures from their boxes.
- Organize fixtures based on their labels at the install location.

B. Tools Needed



Screwdrivers



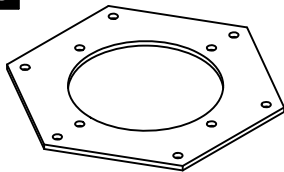
Pliers



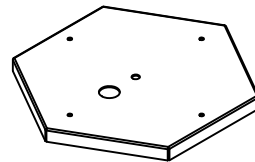
Safety Glasses

- Always use proper safety equipment when installing fixtures.
- Tools shown are recommended for standard install. Tools needed may vary based on actual install location conditions.

C. Identify Parts



HEX PENDANT BRACKET
PN: 44 HEX_HK_BRKT



HEX PENDANT CANOPY
PN: 44 HEX_HK_CANOPY



HEX PENDANT HANGING KIT
ONE PER FIXTURE



Wire Strain Relief
PN: HEYCO 1210



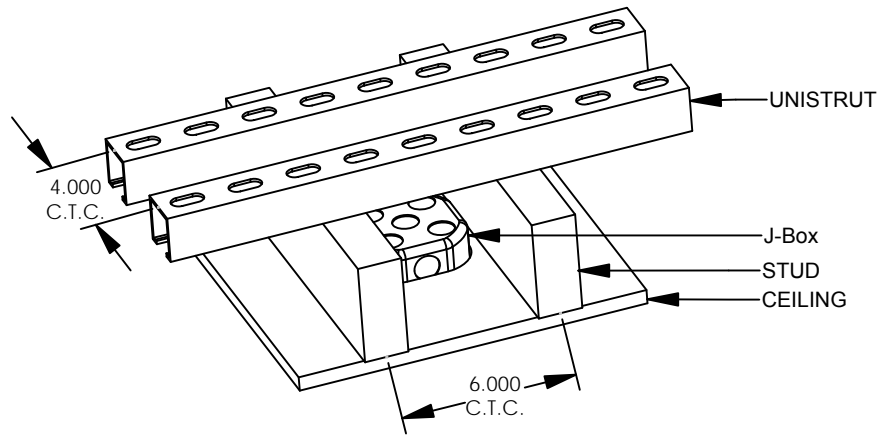
Pendant Power Cable
PN: PCBL301-25FT-5WIRE

- Read entire install instructions before beginning installation.
- Unpack all components and arrange in order of install steps.
- For help with installation, please contact us at www.saylite.com or call us at (972) 247-3171.

44 HEX HANGING KIT Installation Instructions

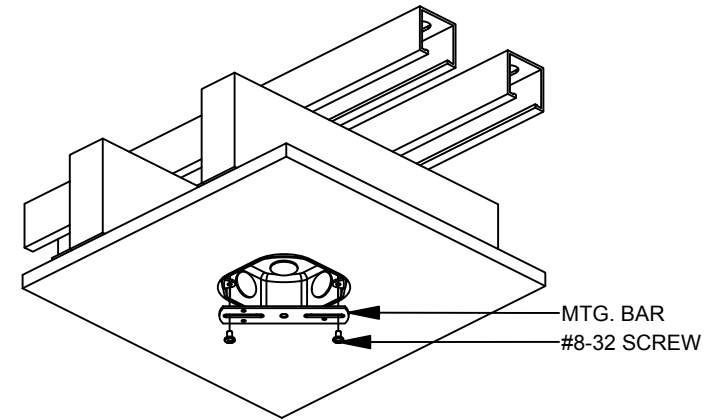
Step 1 - Prepare Ceiling

A. Install Ceiling Bracing



- **NOTE: Ceiling bracing installed in this step must be able to support fixture weight of 100lbs.**
- Securely install J-Box in desired location, flush with the outside face of ceiling panel.
- Securely install 2 ceiling studs 6" center-to-center on either side of the J-Box as shown.
- Securely install 2 pieces of Unistrut upon the ceiling studs, 4" center-to-center of J-Box as shown.

B. Install Mounting Bar



- **NOTE: Confirm bracing installed in previous step is able to support fixture weight of 100lbs.**
- Install the mounting bar to the J-Box using 2 #8-32 screws as shown.



Mounting Bar
(Provided)



Texas Fluorescents Reinvented

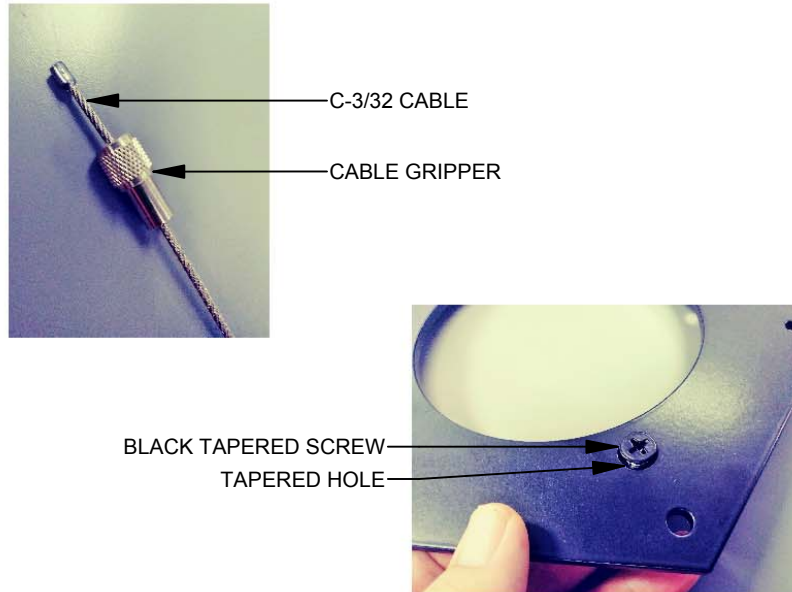
44 HEX HANGING KIT Installation Instructions

Step 2 - Install Ceiling Cables



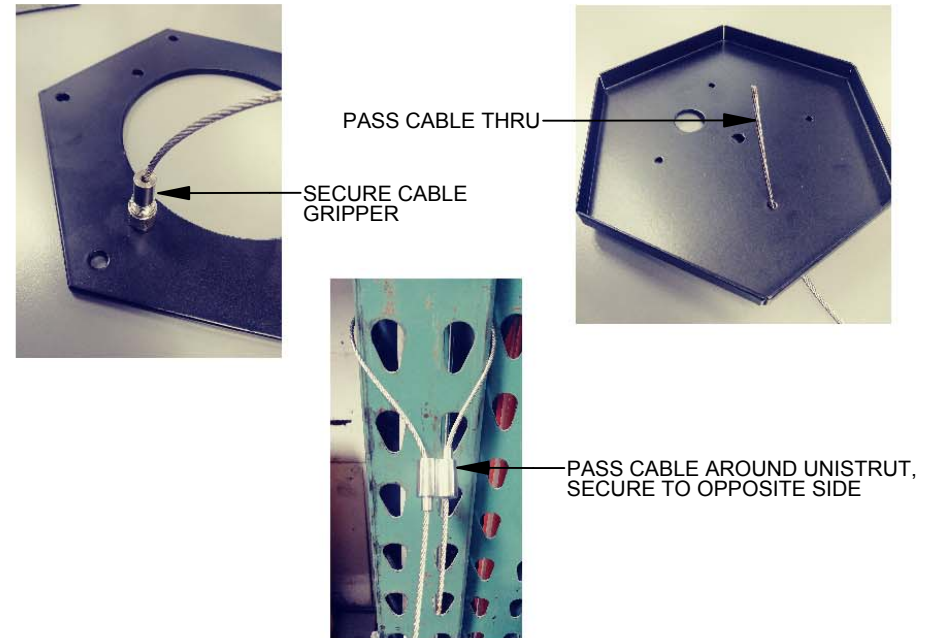
Texas Fluorescents Reinvented

A. Prepare Ceiling Cables



- Feed C-3/32 cable thru the cable gripper in the direction shown. Repeat for remaining 3 cables.
- Insert black tapered screw to the tapered hole in the Hex Pendant Bracket as shown.

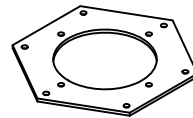
B. Secure Ceiling Cables



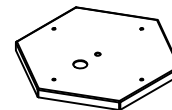
- Secure the cable gripper to the black tapered screw as shown. Repeat for remaining 3 cables.
- Pass C-3/32 cable thru the Hex Pendant Canopy in the direction and orientation shown. Repeat for remaining 3 cables.
- Pass the C-3/32 cable thru one side of the C-3/32 Loop Gripper, around the preinstalled Unistrut and back in to the opposite side of the Loop Gripper as shown. Repeat for remaining 3 cables.
- Adjust cables to desired length at this time.



HEX PENDANT HANGING KIT



HEX PENDANT BRACKET



HEX PENDANT CANOPY

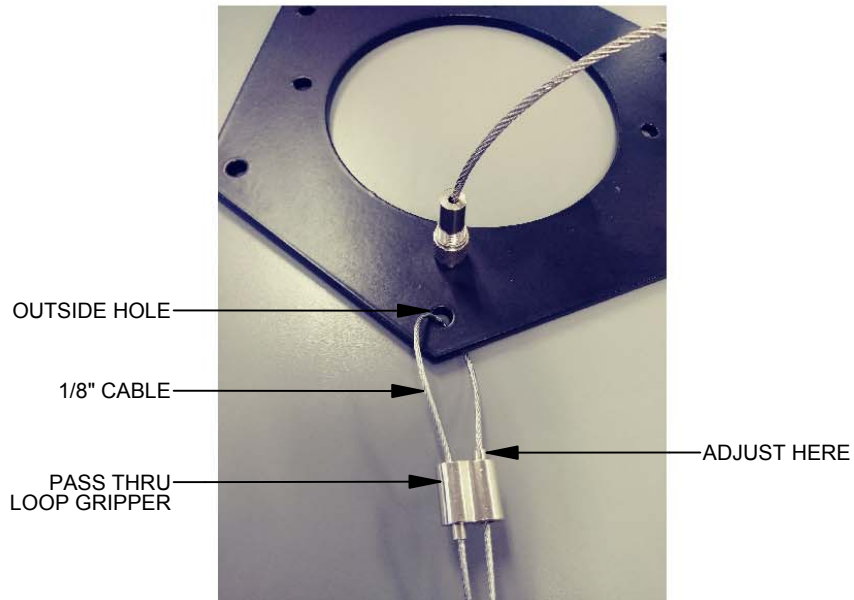
44 HEX HANGING KIT Installation Instructions

Step 3 - Install Fixture



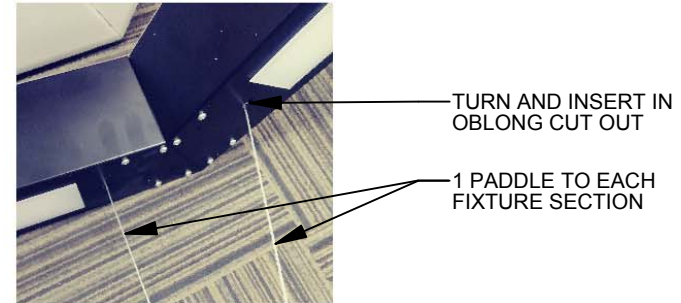
Texas Fluorescents Reinvented

A. Install Fixture Cables



- Pass one end of the 1/8" cable thru the 1/8" cable Loop Gripper, then thru the outside hole of the Hex Pendant Bracket, and back thru the opposite side of the Loop Gripper as shown.
- Repeat for remaining 5 cables. Adjust cables to desired length at this time.

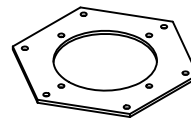
B. Hang The Sections



- The fixture is ready to be installed, and should be hung one section at a time **prior to joining**.
- Hang one section by turning the paddles sideways, then slip in to the oblong cut out as shown.
- For the section joint, install one of the paddles as shown, and the other paddle to the joining section.



HEX PENDANT HANGING KIT



HEX PENDANT BRACKET

44 HEX HANGING KIT Installation Instructions

Step 3 - Install Fixture (Cont.)



Texas Fluorescents Reinvented

A. Join The Sections



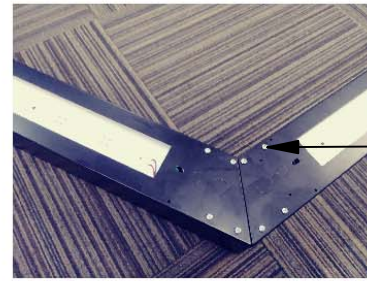
PLUG WIRE HARNESS TOGETHER TO JOIN SECTIONS

SLIDE JOINING ENDS TOGETHER BUTT TOGETHER UNTIL FLUSH



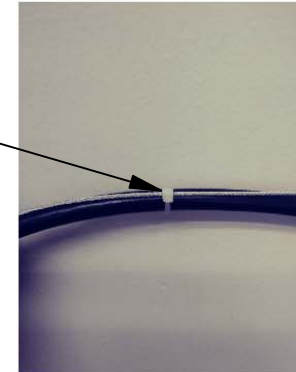
- Connect the fixtures by plugging the male end of one section to the female end of the joining section.
- Repeat for the opposite connection point (slight bumping of the fixtures may be needed for tight fit).

B. Secure The Sections



#8-32 X .25" SHEET METAL SCREWS

SECURE POWER CABLE TO PENDANT CABLE USING ZIP TIES



- Secure the joined fixture sections as shown using (8) #8-32 x .25" sheet metal screws.
- Repeat step for the opposite joined side.
- Run the power cable up the desired fixture pendant cable, thru the center of the Hex Pendant Bracket, and up the ceiling pendant cable to the Hex Pendant Canopy.
- Secure the power cable to the pendant cables using zip ties.
- Secure the power cable to the Hex Pendant Canopy using the 7/8" black strain relief.



HEX PENDANT HANGING KIT

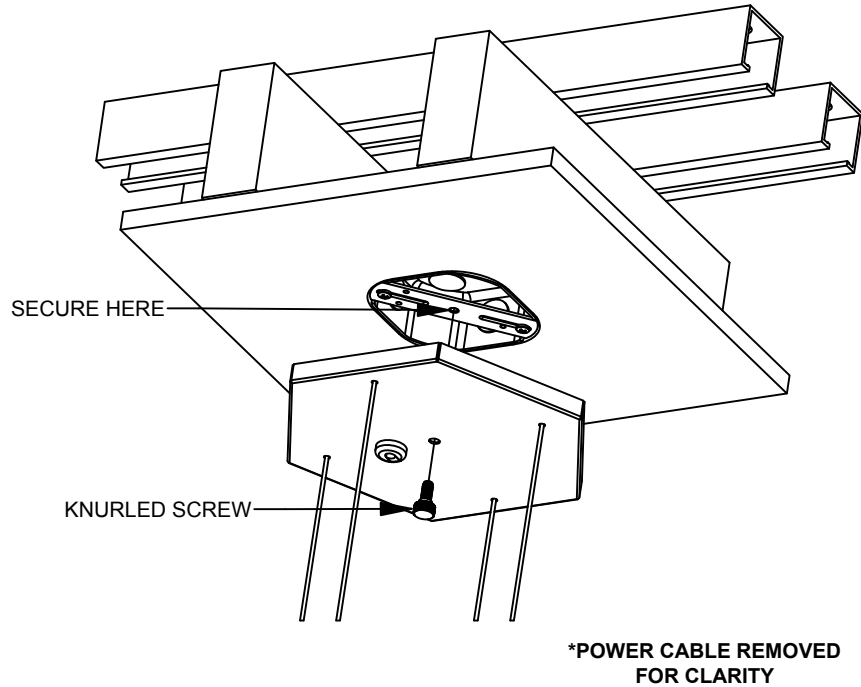


Wire Strain Relief
PN: HEYCO 1210

44 HEX HANGING KIT Installation Instructions

Step 3 - Install Fixture (Cont.)

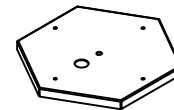
A. Secure The Canopy



- Secure the Hex Pendant Canopy to the installed cross bar using the knurled 1/4-20 screw as shown.

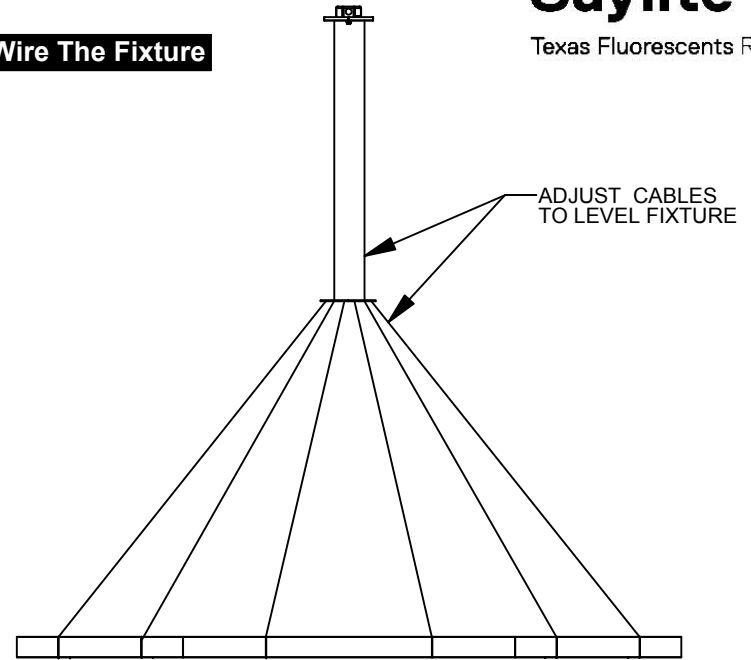


HEX PENDANT HANGING KIT



HEX PENDANT CANOPY

B. Level/Wire The Fixture



WIRING LEGEND		
Black	Hot	Line Voltage
White	Neutral	Line Voltage
Green	Ground	
Gray	Dimming	0-10V DC
Violet	Dimming	0-10V DC

- Make final adjustments of cables, ensuring fixture is level.
- Wire the fixture to the incoming supply according to all local, state and national codes.
- Fixture install is now complete.



Texas Fluorescents Reinvented