

201-Surface Installation Instructions

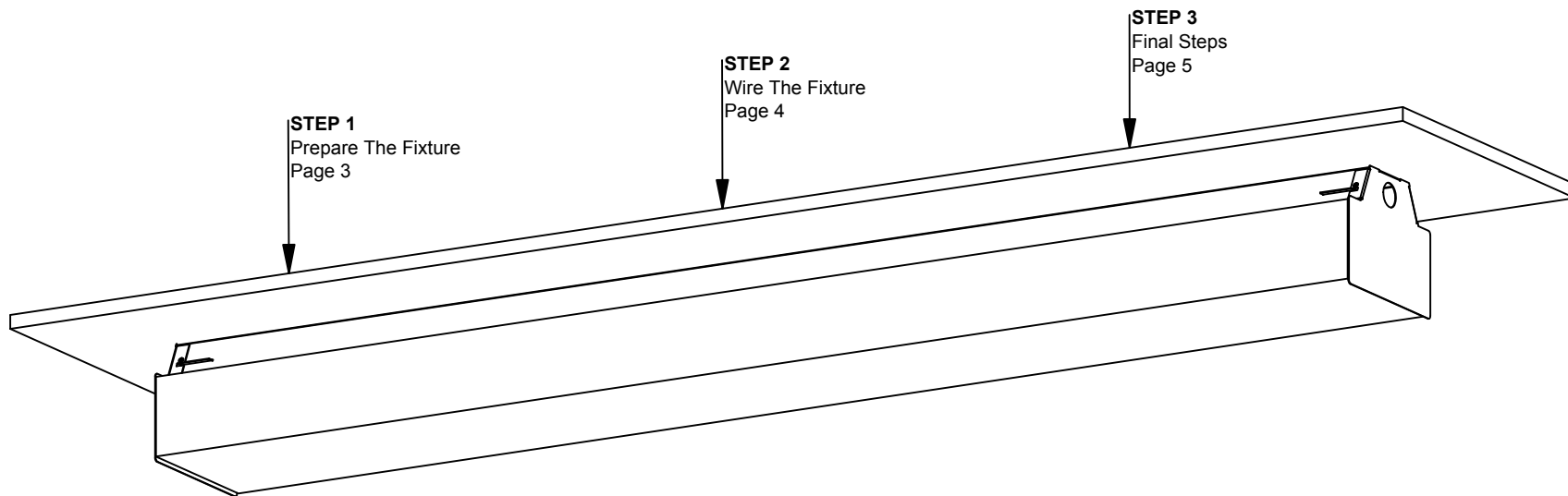
Overview

WARNINGS

- This product must be installed in accordance with all applicable codes by a person familiar with the product.
- Each fixture must be **properly supported** during install.
- **DO NOT** join fixtures on the floor prior to lifting, or damage will occur.
- **Before beginning installation**, review our complete list of warnings by visiting www.saylite.com/warnings.



Texas Fluorescents Reinvented



We believe
in the power
of light.



Your particular build may vary.

2019© Saylite | 2055 Luna Road, Suite 142 Carrollton, Texas 75006 | www.saylite.com

1 of 5

Form BWE - 201-Surface V2 3/19

201-Surface Installation Instructions

Preparation - Tools/Parts Identification

A. Identify Fixtures



- Use labels found on the box and inside fixture bodies to identify bodies.
- **NOTE:** Locations of labels can vary.
- Remove all fixtures from their boxes.
- Organize fixtures based on their labels at the install location.

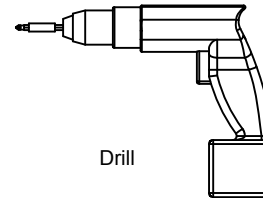
B. Tools Needed



Screwdriver



3/4" Drill Bit



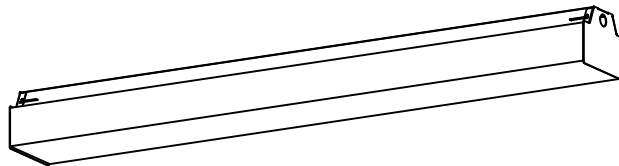
Drill



Safety Glasses

- Always use proper safety equipment when installing fixtures.
- Tools shown are recommended for standard install. Tools needed may vary based on actual install location conditions.

C. Identify Parts



201 Surface Mount Fixture
(Provided)



Mounting Screw W/ Anchor
(By Others)

- Read entire install instructions before beginning installation.
- Unpack all components and arrange in order of install steps.
- For help with installation, please contact us at www.Saylite.com or call us at (972) 247-3171.



Texas Fluorescents Reinvented

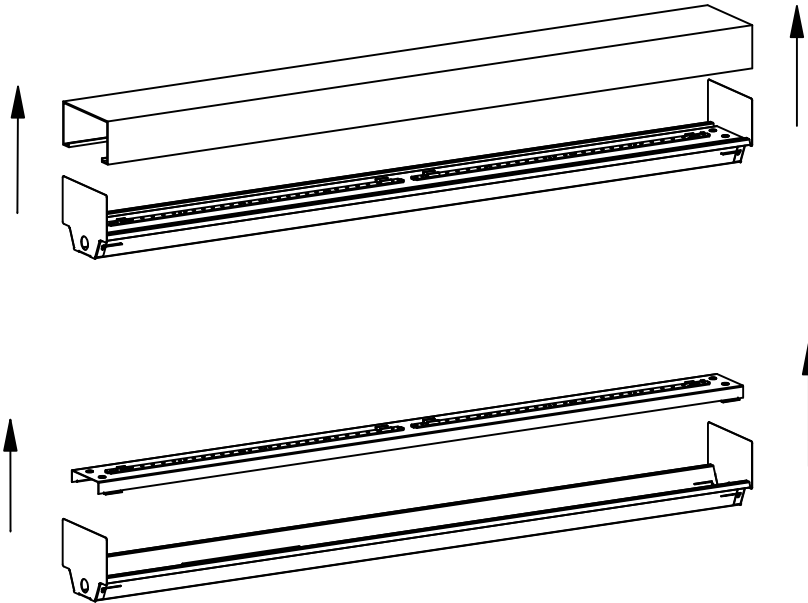
201-Surface Installation Instructions

Step 1 - Prepare The Fixture



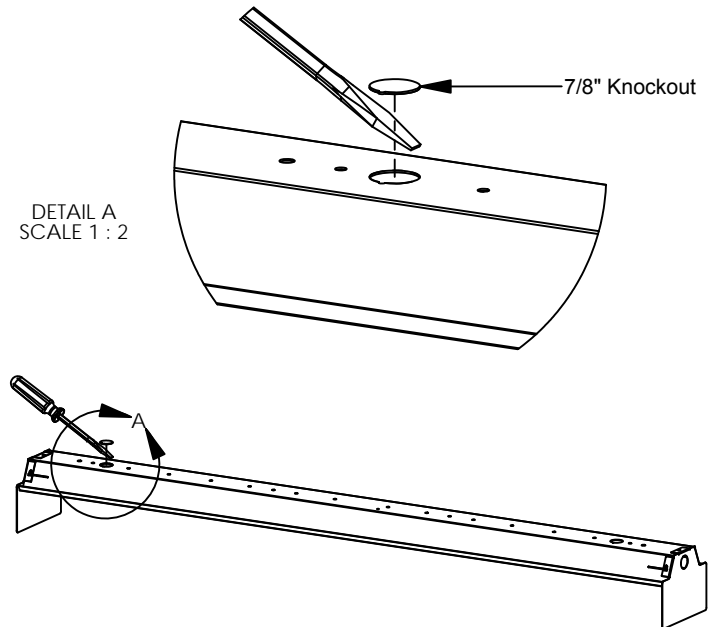
Texas Fluorescents Reinvented

A. Remove The Door



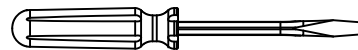
- Remove the lens by gently flexing on each side until the lens pops off. Set aside for future use.
- Remove the LED gear tray as shown above, and set aside in a safe place for future use.

B. Remove 7/8" Knockout



- Using a gentle, prying motion, remove the 7/8" knock out from the desired location.

Items Used In This Step



Flat Tip Screwdriver

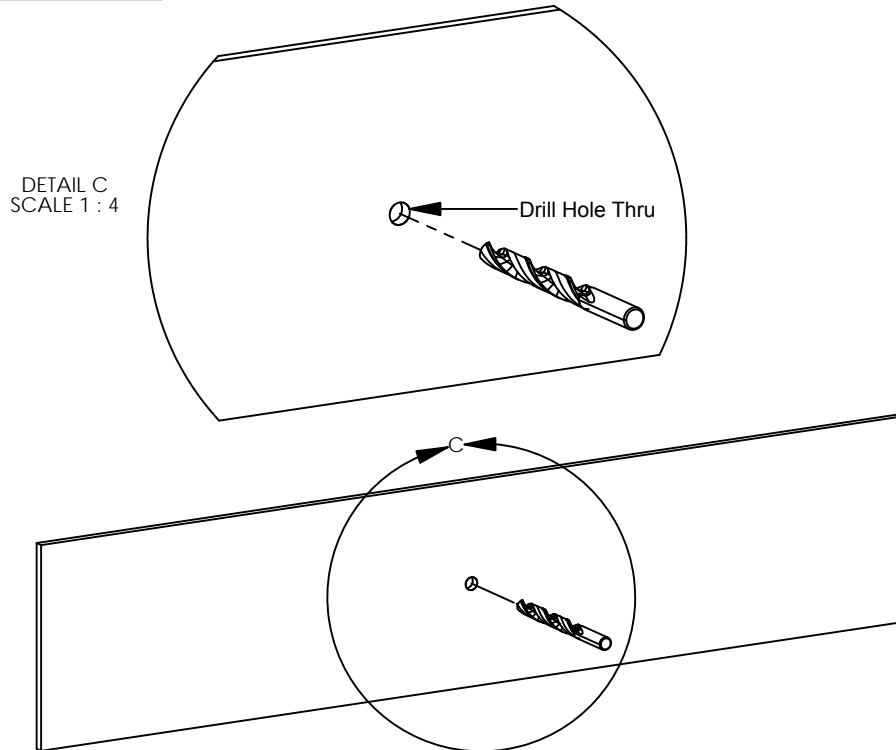
201-Surface Installation Instructions

Step 2 - Wire The Fixture



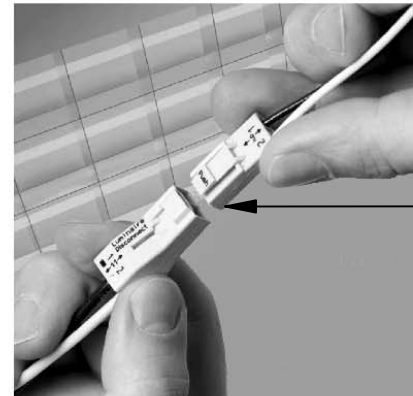
Texas Fluorescents Reinvented

A. Drill Hole



- Using a 3/4" bit, drill a hole to allow supply wiring to pass thru.
- **Note:** Use caution when drilling as to not damage components inside of wall.

B. Connect Power



Quick Disconnect

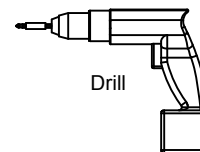
WIRING LEGEND		
Black	Hot	Line Voltage
White	Neutral	Line Voltage
Green	Ground	
Gray	Dimming	0-10V DC
Violet	Dimming	0-10V DC

- Wire the fixture to the incoming supply using provided quick clip as shown.
- For dimming option, refer to the wiring legend above as needed.
- **Note:** Use UL approved connectors only. Follow all local, state and national codes

Items Used In This Step



3/4" Drill Bit



Drill

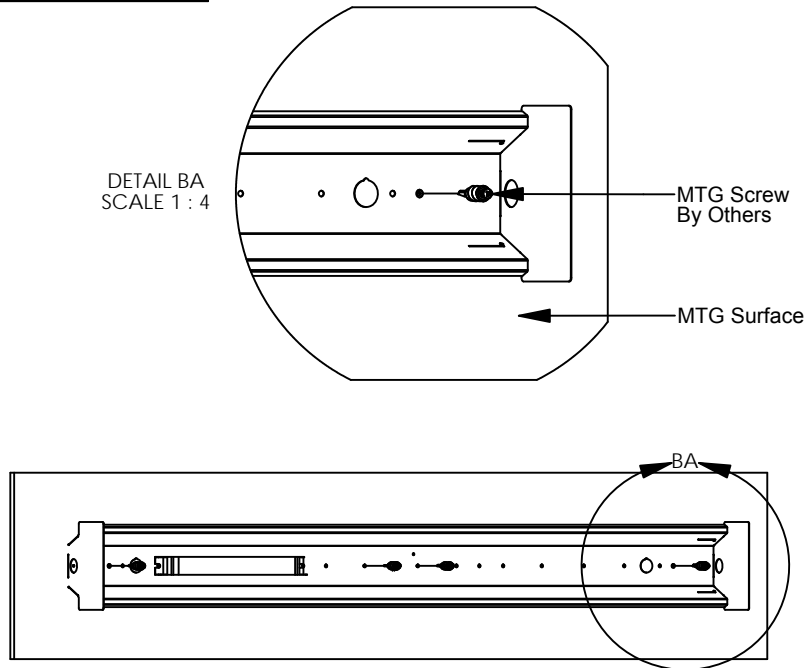
201-Surface Installation Instructions

Step 3 - Final Steps



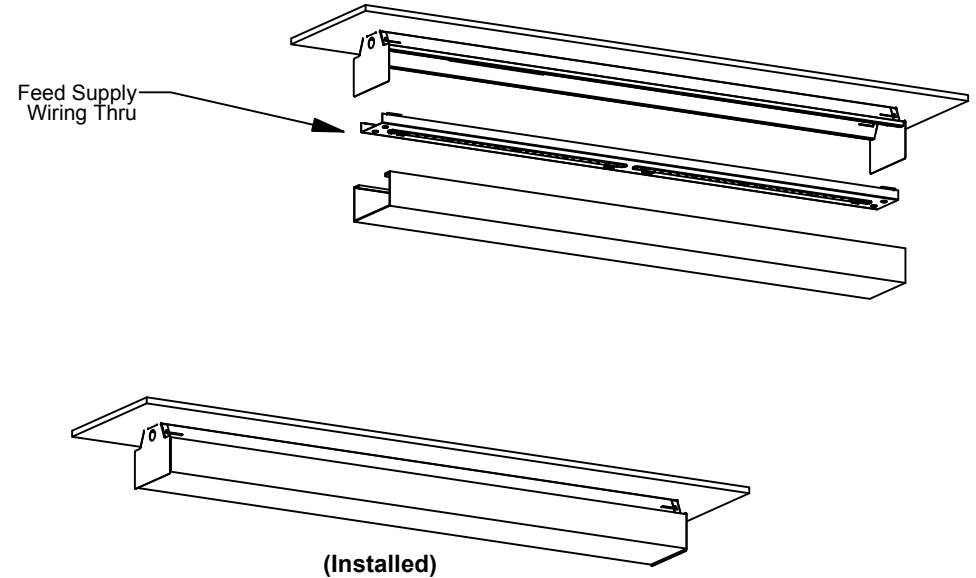
Texas Fluorescents Reinvented

A. Mount The Body



- Press the fixture firmly to the ceiling.
- Secure the body to the mounting surface using anchored mounting screws (by others).

B. Replace Components

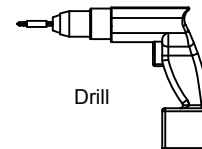


- Install the LED gear tray and the lens removed in Step 1 as shown. Make sure parts are secure.
- Install is now complete.

Items Used In This Step



Mounting Screw W/ Anchor
(By Others)



Drill