

153-Surface Installation Instructions

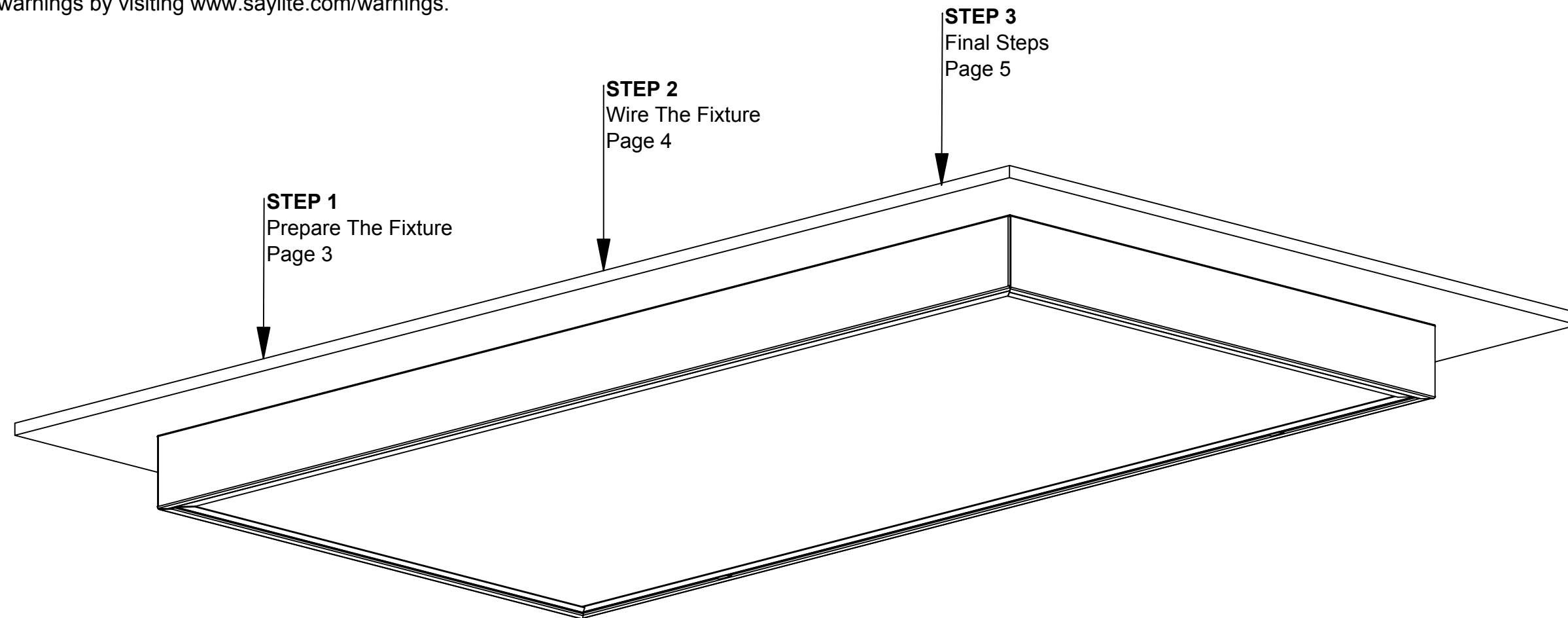
Overview

WARNINGS

- This product must be installed in accordance with all applicable codes by a person familiar with the product.
- Each fixture must be **properly supported** during install.
- **DO NOT** join fixtures on the floor prior to lifting, or damage will occur.
- **Before beginning installation**, review our complete list of warnings by visiting www.saylite.com/warnings.



Texas Fluorescents Reinvented



We believe
in the power
of light.



Your particular build may vary.

2019© Saylite | 2055 Luna Road, Suite 142 Carrollton, Texas 75006 | www.saylite.com

1 of 5

Form BWE - 153-Surface V2 3/19

153-Surface Installation Instructions

Preparation - Tools/Parts Identification



Texas Fluorescents Reinvented

A. Identify Fixtures



- Use labels found on the box and inside fixture bodies to identify bodies.
- **NOTE:** Locations of labels can vary.
- Remove all fixtures from their boxes.
- Organize fixtures based on their labels at the install location.

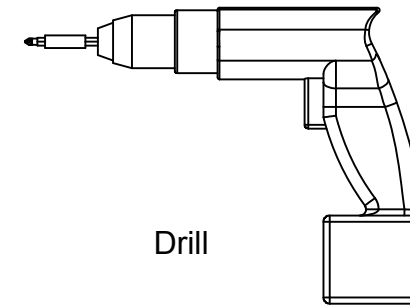
B. Tools Needed



Screwdriver



3/4" Drill Bit



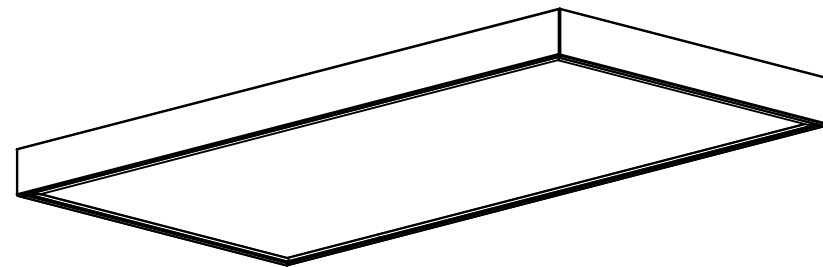
Drill



Safety Glasses

- Always use proper safety equipment when installing fixtures.
- Tools shown are recommended for standard install. Tools needed may vary based on actual install location conditions.

C. Identify Parts



153 Surface Mount Fixture
(Provided)



Mounting Screw W/ Anchor
(By Others)

- Read entire install instructions before beginning installation.
- Unpack all components and arrange in order of install steps.
- For help with installation, please contact us at www.Saylite.com or call us at (972) 247-3171.

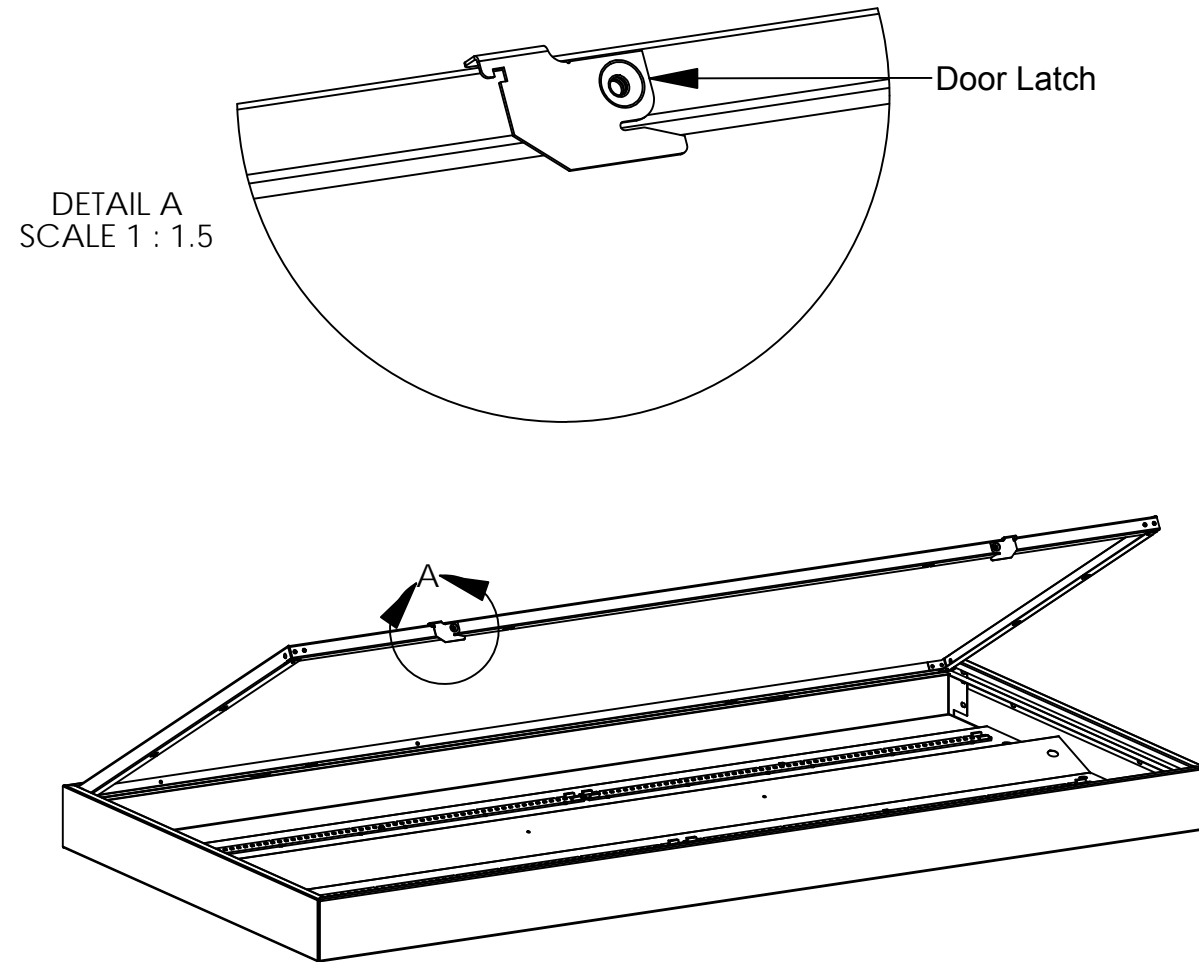
153-Surface Installation Instructions

Step 1 - Prepare The Fixture



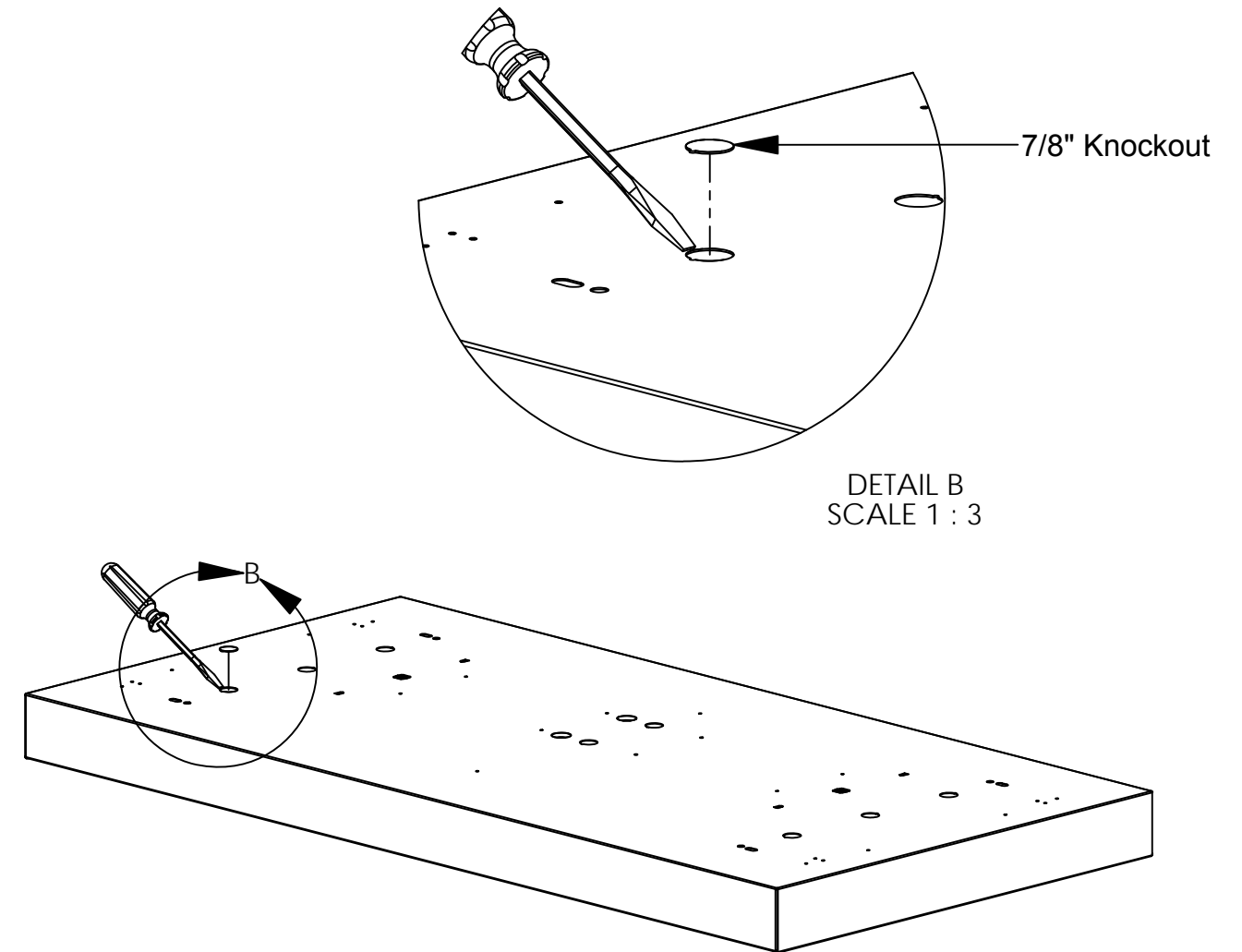
Texas Fluorescents Reinvented

A. Remove The Door



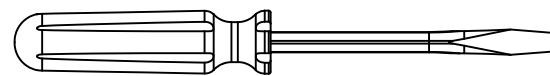
- Release the door latch on either side of the fixture by pulling straight up on the tab.
- Remove the door and set aside for future use.

B. Remove 7/8" Knockout



- Using a gentle, prying motion, remove the 7/8" knock out from the desired location.

Items Used In This Step

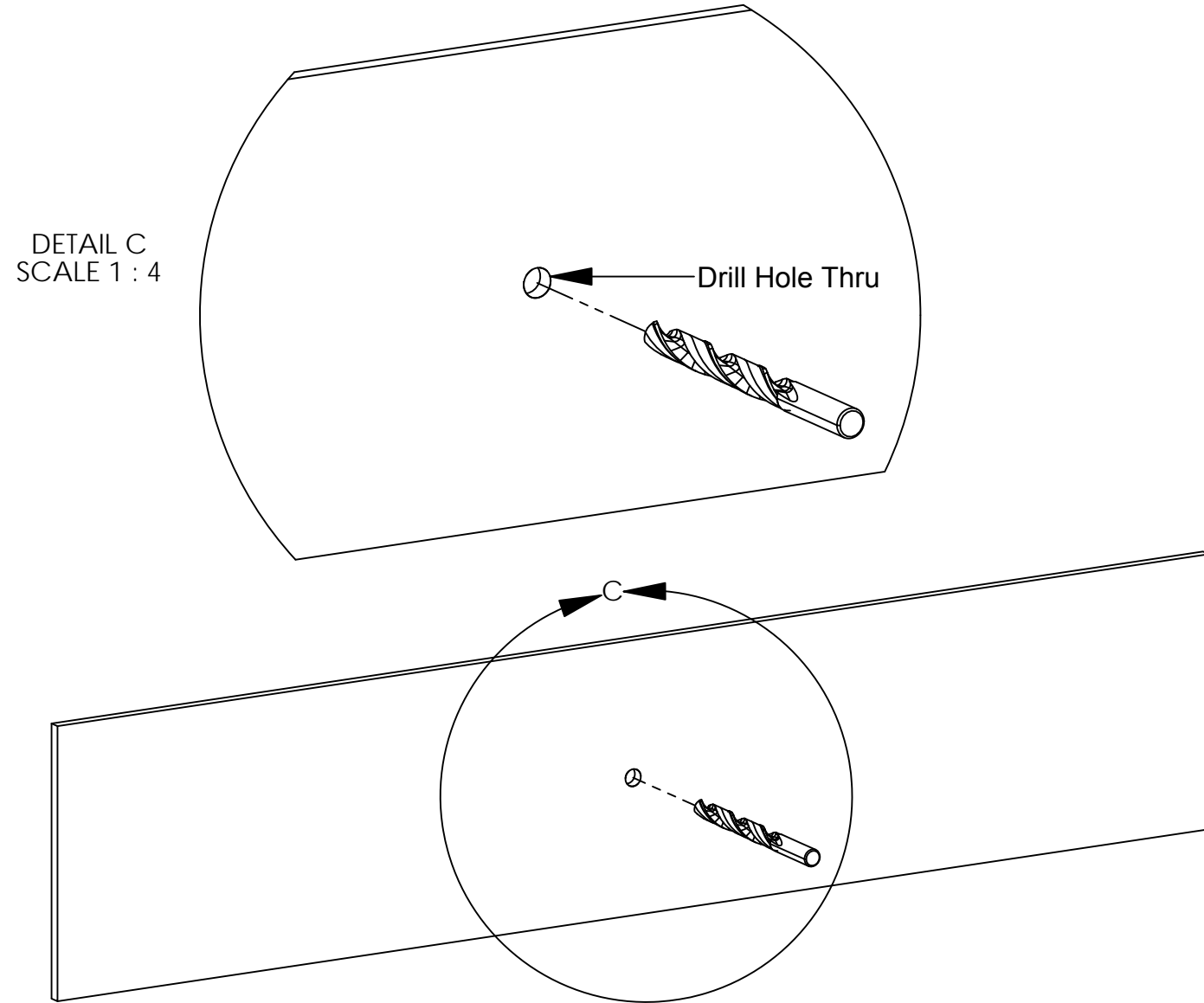


Flat Tip Screwdriver

153-Surface Installation Instructions

Step 2 - Wire The Fixture

A. Drill Hole

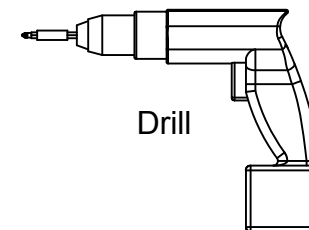


- Using a 3/4" bit, drill a hole to allow supply wiring to pass thru.
- **Note:** Use caution when drilling as to not damage components inside of wall.

Items Used In This Step

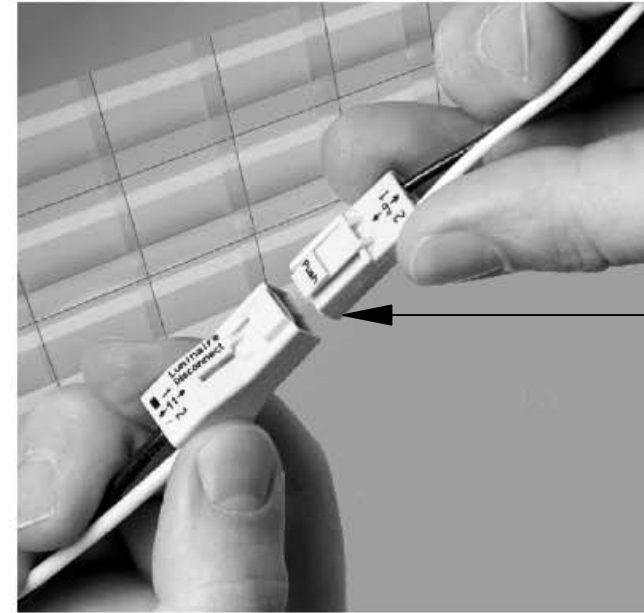


3/4" Drill Bit



Drill

B. Connect Power



Quick Disconnect

WIRING LEGEND		
Black	Hot	Line Voltage
White	Neutral	Line Voltage
Green	Ground	
Gray	Dimming	0-10V DC
Violet	Dimming	0-10V DC

- Wire the fixture to the incoming supply using provided quick clip as shown.
- For dimming option, refer to the wiring legend above as needed.
- **Note:** Use UL approved connectors only. Follow all local, state and national codes

153-Surface Installation Instructions

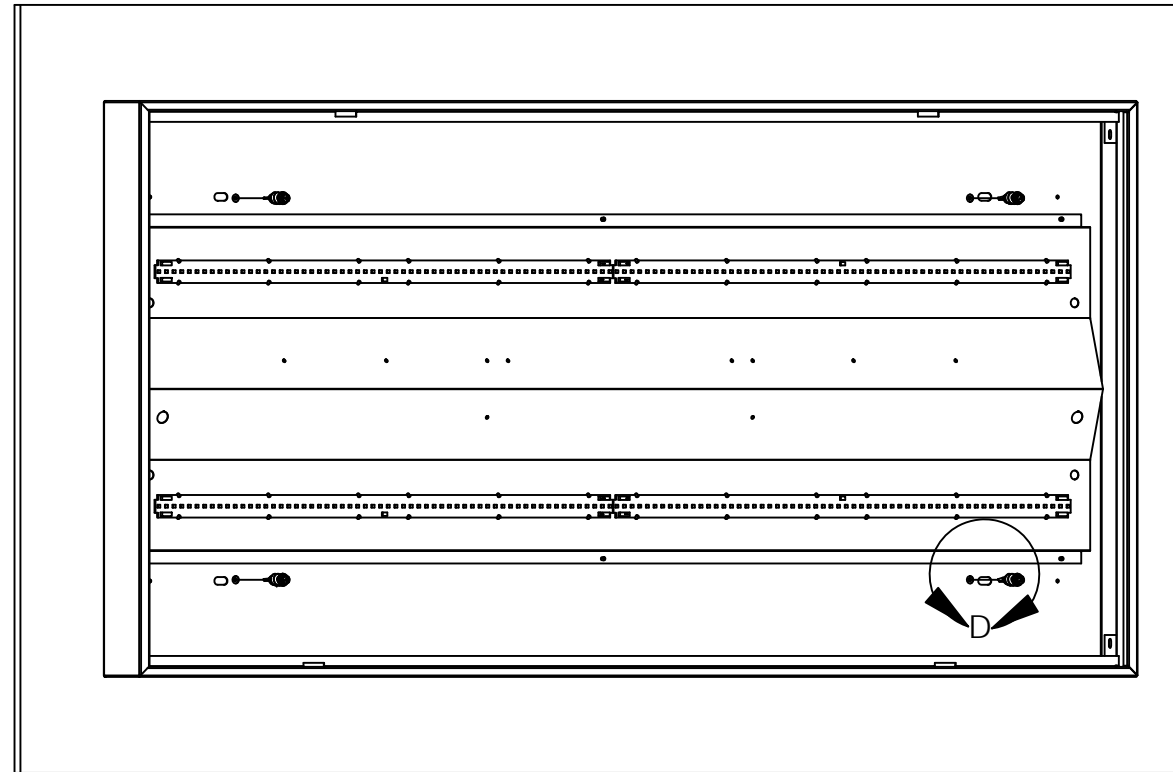
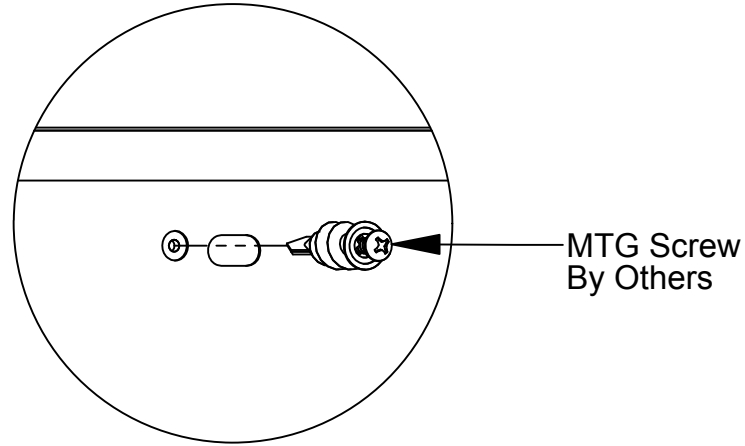
Step 3 - Final Steps



Texas Fluorescents Reinvented

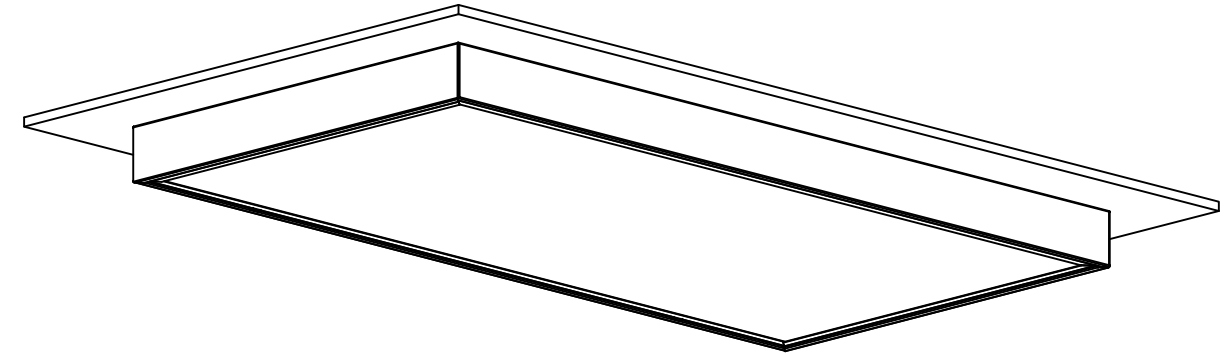
A. Mount The Body

DETAIL D
SCALE 1 : 2



- Press the fixture firmly to the ceiling.
- Secure the body to the mounting surface using anchored mounting screws (by others).

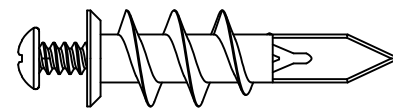
B. Replace The Door



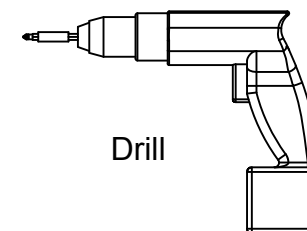
(Installed)

- Install the door removed in Step 1. Secure both latches.
- Install is now complete.

Items Used In This Step



Mounting Screw W/ Anchor
(By Others)



Drill