

14,22,24C&P-LED RETRO Installation Instructions

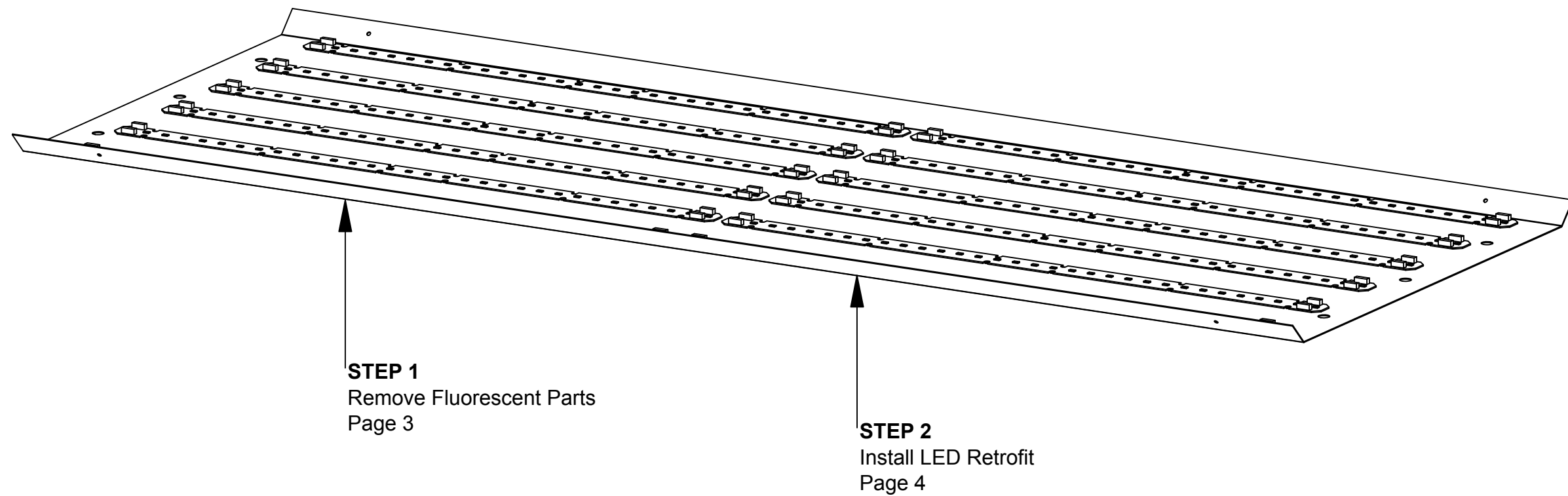
Overview



Texas Fluorescents Reinvented

WARNINGS

- This product must be installed in accordance with all applicable codes by a person familiar with the product.
- Each fixture must be **properly supported** during install.
- **DO NOT** join fixtures on the floor prior to lifting, or damage will occur.
- **Before beginning installation**, review our complete list of warnings by visiting www.saylite.com/warnings.



We believe
in the power
of light.



Your particular build may vary.

2019© Saylite | 2055 Luna Road, Suite 142 Carrollton, Texas 75006 | www.saylite.com

1 of 4

Form BWE - 14,22,24C&P-LED RETRO, V2 1/19

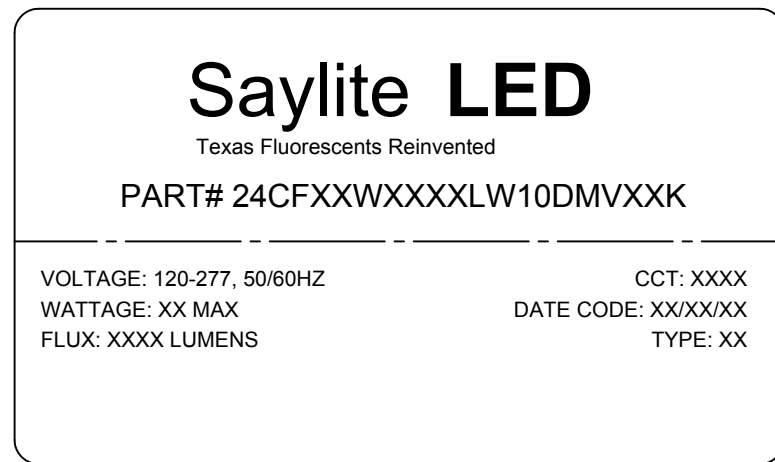
14,22,24C&P-LED RETRO Installation Instructions

Preparation - Tools/Parts Identification



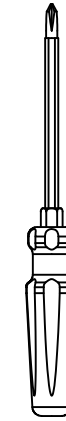
Texas Fluorescents Reinvented

A. Identify Fixtures



- Use labels found on the box and inside fixture bodies to identify bodies.
- **NOTE:** Locations of labels can vary.
- Remove all fixtures from their boxes.
- Organize fixtures based on their labels at the install location.

B. Tools Needed



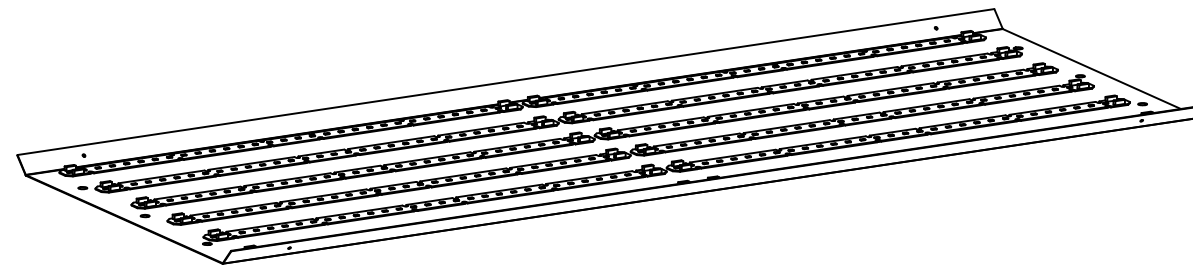
Screwdriver



Safety Glasses

- Always use proper safety equipment when installing fixtures.
- Tools shown are recommended for standard install. Tools needed may vary based on actual install location conditions.

C. Identify Parts



LED Retrofit Kit
(Provided)

- Read entire install instructions before beginning installation.
- Unpack all components and arrange in order of install steps.
- For help with installation, please contact us at www.saylite.com or call us at (972) 247-3171.

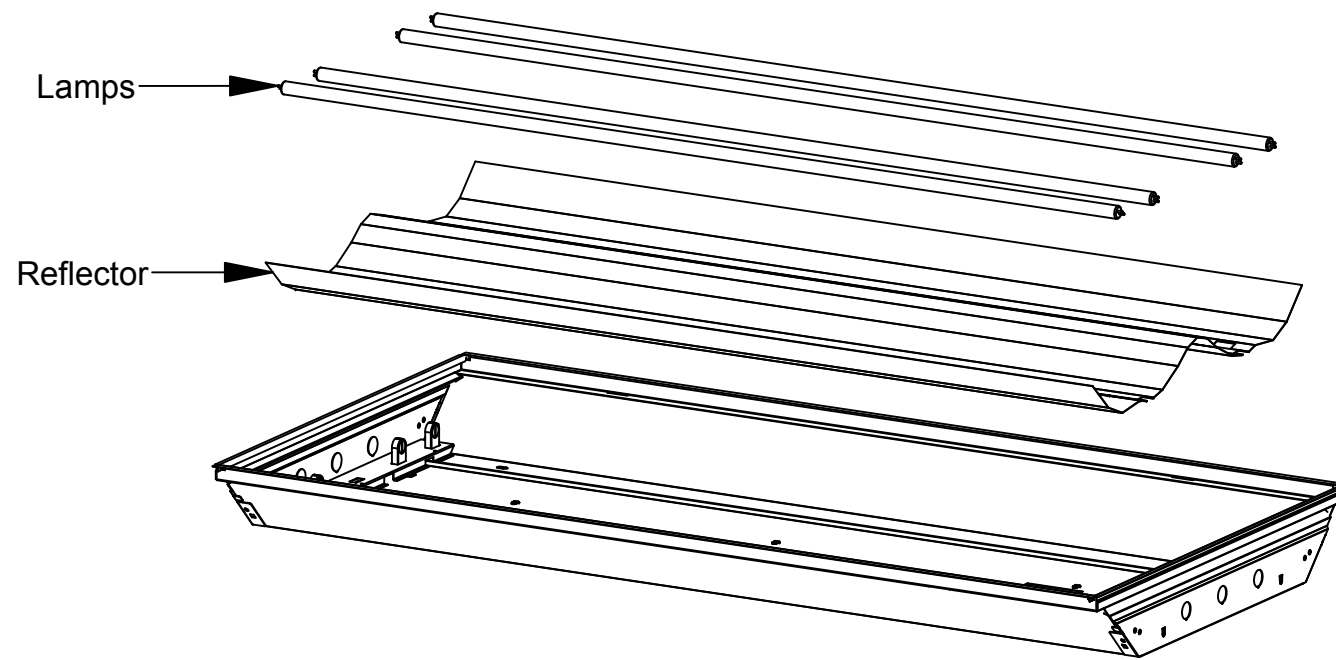
14,22,24C&P-LED RETRO Installation Instructions

Step 1 - Remove Fluorescent Parts



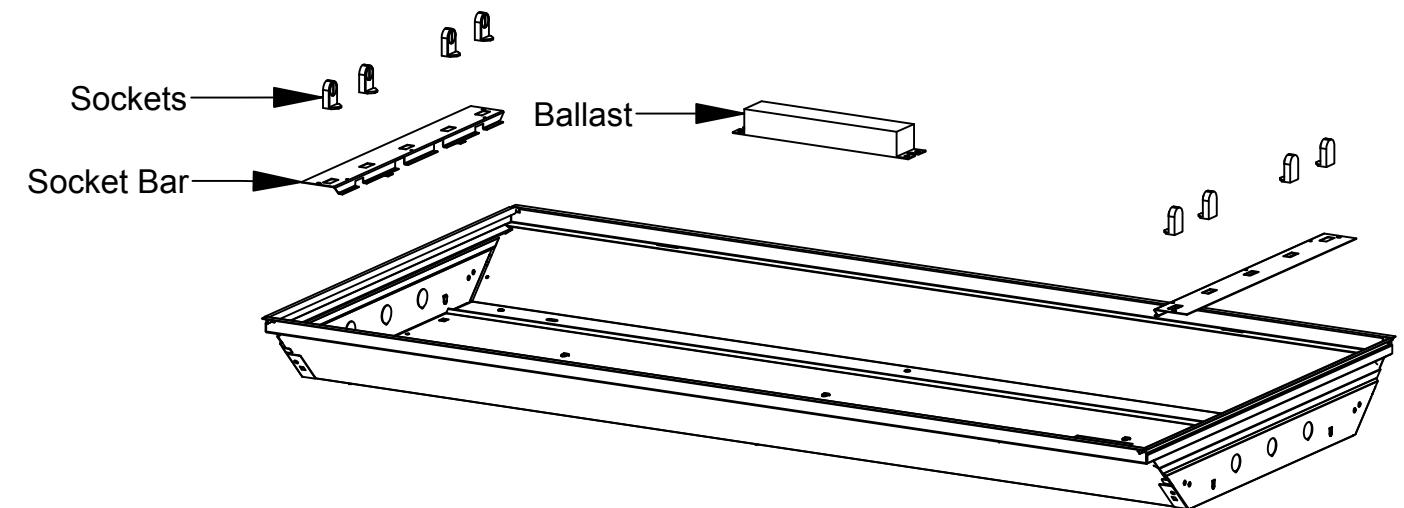
Texas Fluorescents Reinvented

A. Remove Lamps



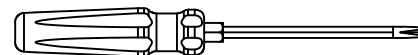
- Open housing door if applicable (not shown).
- Rotate existing lamps 1/4 turn and remove all.
- Remove the existing reflector if applicable.

B. Remove Other Parts



- Remove all existing ballasts, sockets and wiring.
- Remove existing socket bars.

Items Used In This Step



Screwdriver

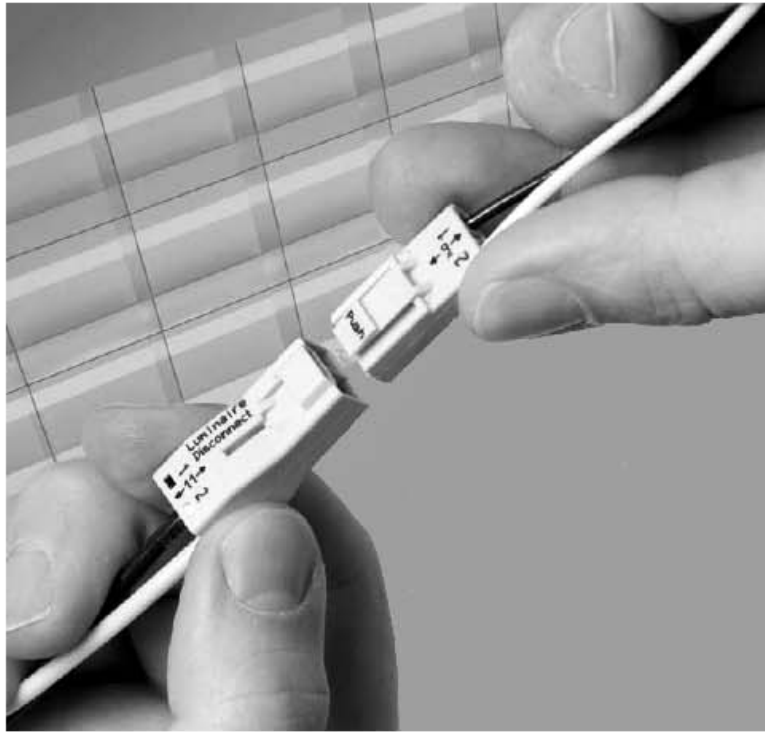
14,22,24C&P-LED RETRO Installation Instructions

Step 2 - Install LED Retrofit



Texas Fluorescents Reinvented

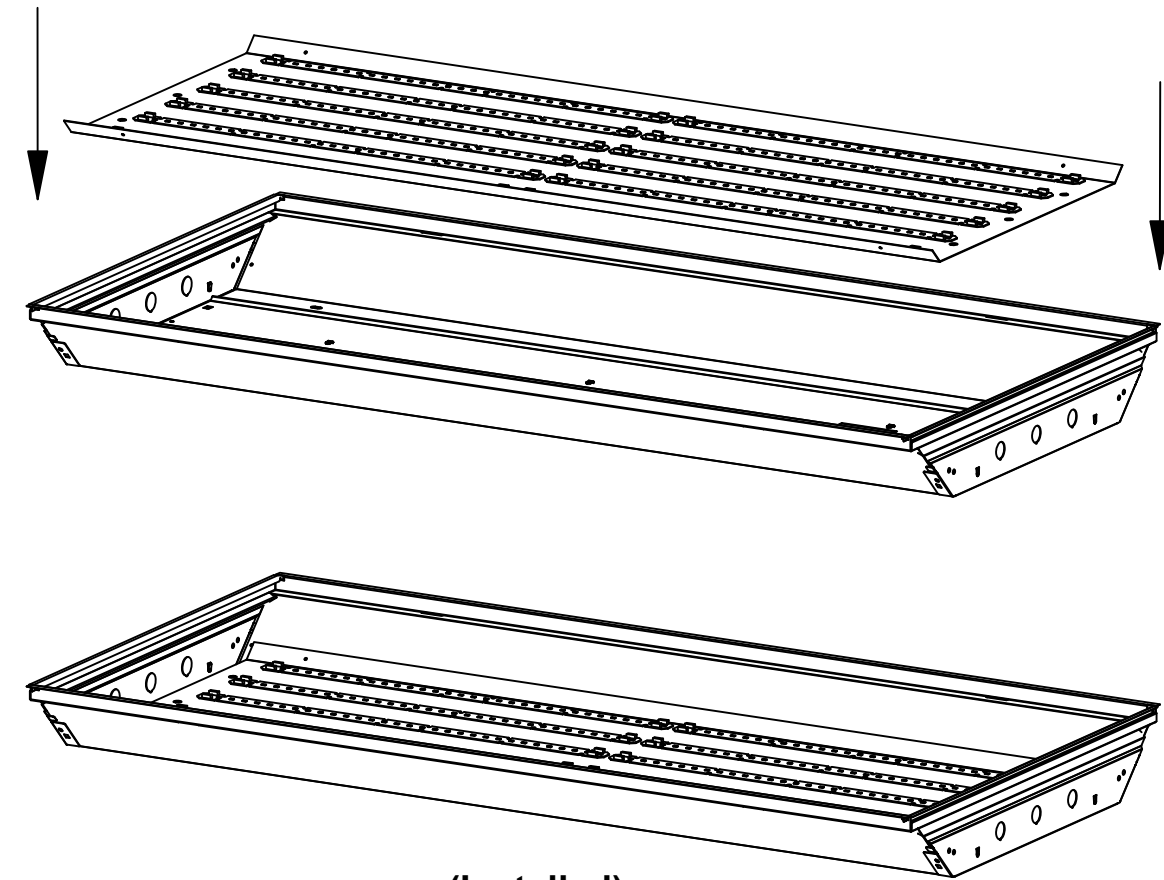
A. Wire The Fixture



- Connect the LED retrofit kit to the supply using the quick connect (or other approved method).
- Follow all local, state and national electrical codes.

Items Used In This Step

B. Install LED Retrofit



(Installed)

- Install the LED retrofit kit by centering to the existing body.
- Secure using TEK screws or similar (not provided). Install is now complete.