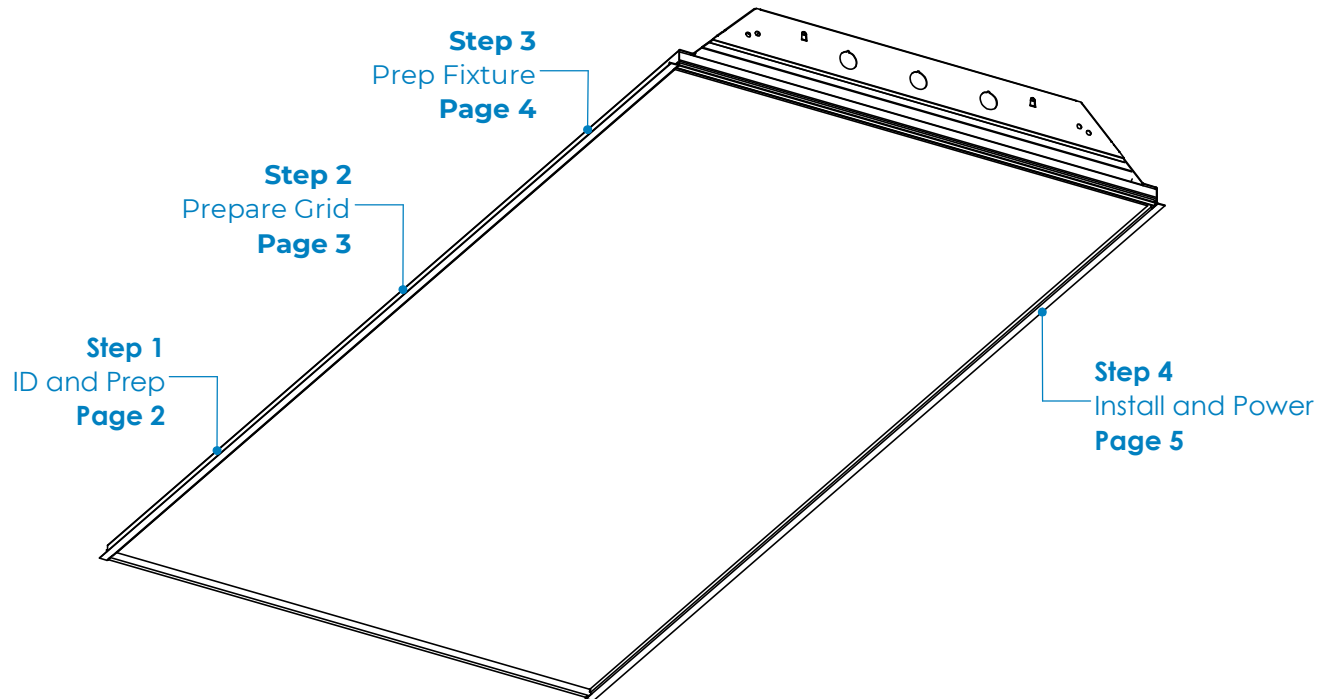


# 131 Installation Instructions

## Overview

### WARNINGS

- This product must be installed in accordance with all applicable codes by a person familiar with the product.
- Each fixture must be **properly supported** during install.
- **DO NOT** join fixtures on the floor prior to lifting, or damage will occur.
- **Before beginning installation**, review our complete list of warnings by visiting [www.saylite.com/warnings](http://www.saylite.com/warnings).



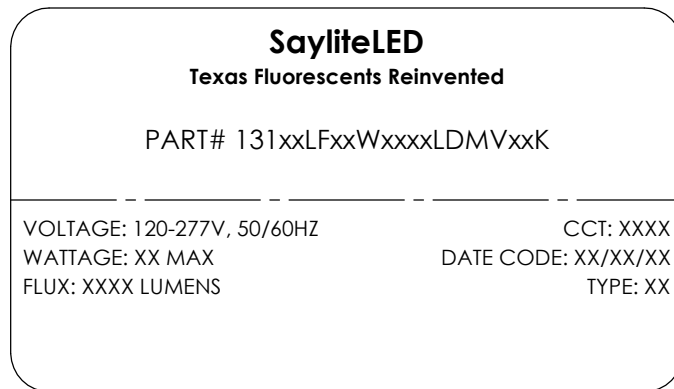
Your particular build may vary.

2020© Saylite | 2055 Luna Road, Suite 142 Carrollton, Texas 75006 | [www.saylite.com](http://www.saylite.com)

# 131 Installation Instructions

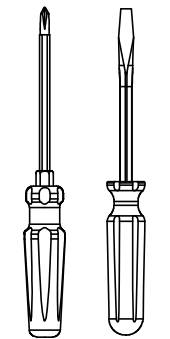
## Step 1 - Identification and Preparation

### A. Identify Fixtures



- Use labels found on the box and inside the fixture bodies to identify bodies.
- **NOTE:** Locations of labels can vary.
- Remove all fixtures from their boxes.
- Organize fixtures based on their labels at the install location.

### B. Tools Needed



Screwdrivers



Utility Knife



Safety Glasses

- Always use proper safety equipment when installing fixtures.
- Tools shown are recommended for standard install. Tools needed may vary based on actual install location conditions.

### Kitted Hardware

- Saylite has provided the items listed here, with their Saylite part numbers listed. These items can be found in separate boxes shipped with the fixture.
- Ensure all parts are accounted for and set them aside until needed.
- Any additional hardware needed for this installation will be provided by others.

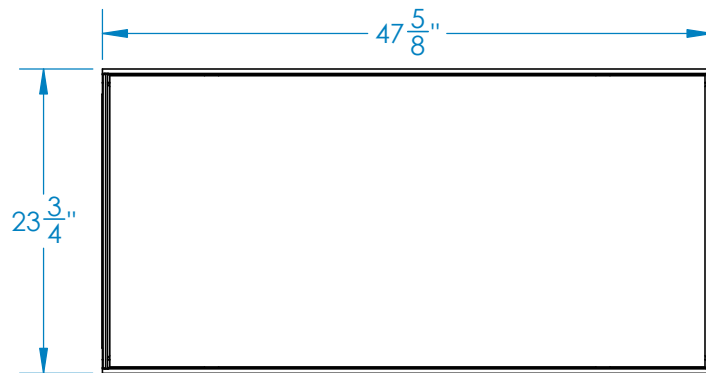
# 131 Installation Instructions

## Step 2 - Prepare the Grid



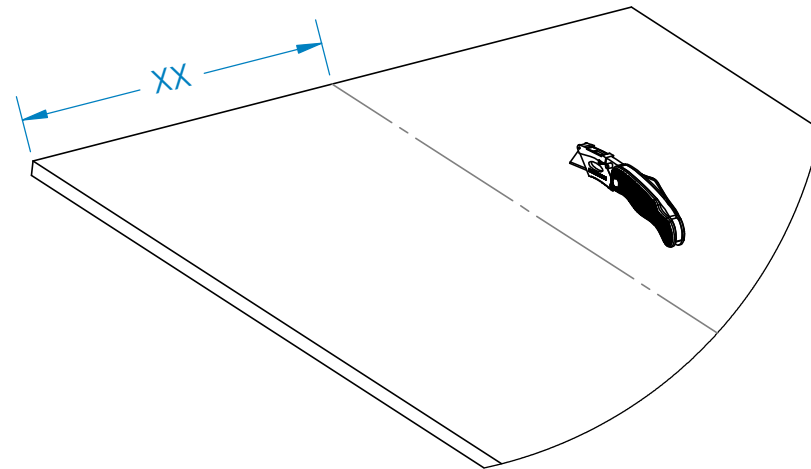
Texas Fluorescents Reinvented

### A. Transfer Measurements



- Note the length and width of the fixture. This instruction guide shows a 2' x 4' RG, dimensions will vary according to your fixture.
- Transfer the dimensions to the hanging grid and set the grid rails to the proper width.

### B. Cut Ceiling Panels

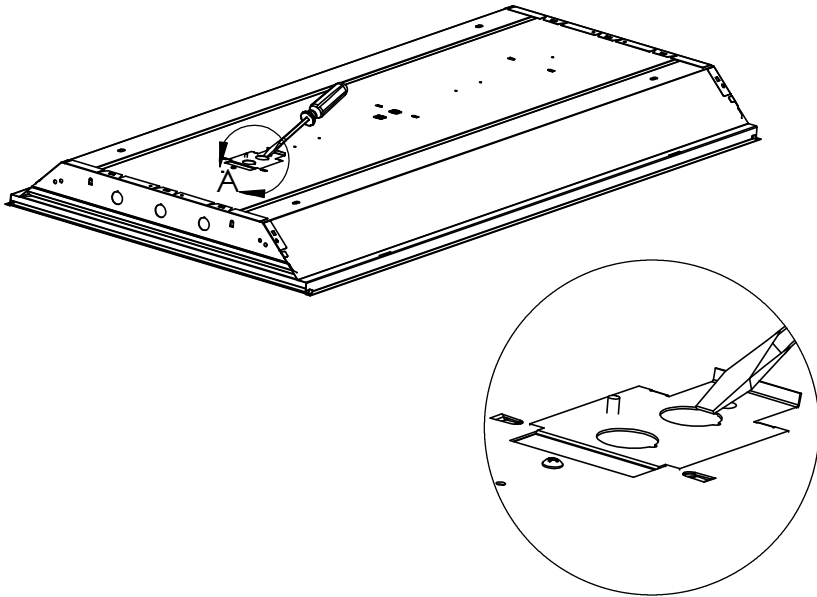


- Optional: Cut ceiling tiles to fit custom fixture spaced grids.

# 131 Installation Instructions

## Step 3 - Prepare Fixture for Install

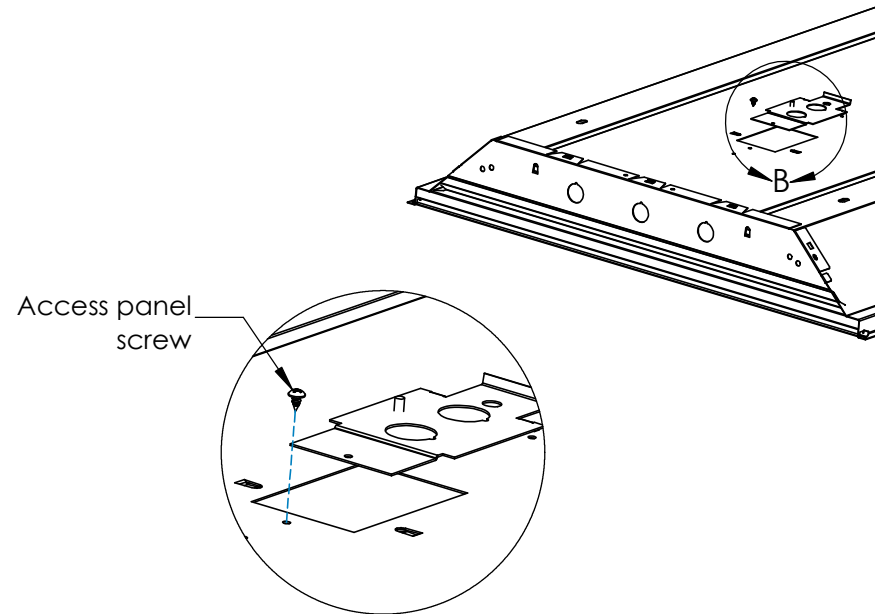
### A. Remove Knockout



DETAIL A  
SCALE 1 : 2.5

- Locate the access panel on the back side of the fixture.
- Use a flat head screwdriver and gently pry up on the desired 7/8" knockout to remove it.

### B. Expose Wiring



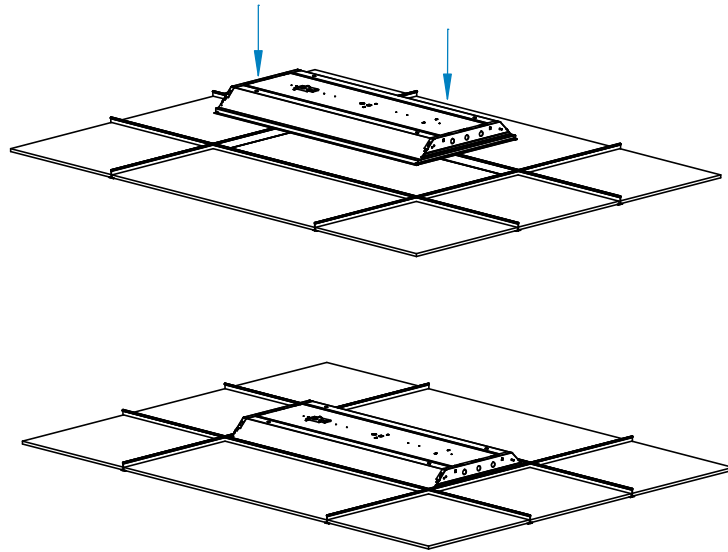
DETAIL B  
SCALE 1 : 3

- Remove the access panel by uninstalling the screw that secures it.
- Fixture wiring will be tucked just behind access panel, pull it thru the now exposed hole.

# 131 Installation Instructions

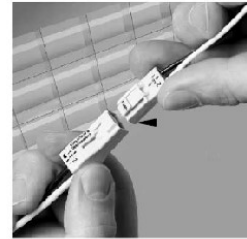
## Step 4 - Install and Power Fixture

### A. Install Fixture

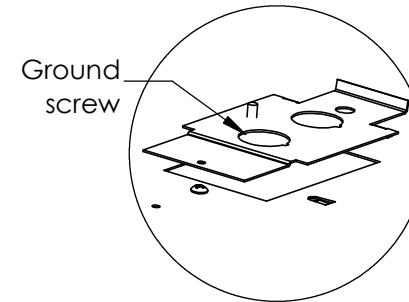
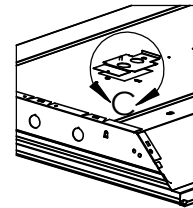


- Open the hurricane clips on the fixture and install to grid.
- Lay the fixture in the grid and ensure the hurricane clips are over the grid.
- It may be necessary to remove an adjacent panel to wire fixture.

### B. Connect Fixture Wiring



WIRING LEGEND		
BLACK	HOT	Line Voltage
WHITE	NEUTRAL	Line Voltage
GREEN	GROUND	
GRAY	DIMMING	0-10V DC
VIOLET	DIMMING	0-10V DC



DETAIL C  
SCALE 1 : 3

- Ground fixture first by securing ground wire to inside of access panel using provided ground screw. Feed fixture wiring thru removed knockout in access panel and wire fixture to the incoming power supply using the provided quick disconnect clip as shown.
- For dimming option, refer to wiring legend above.
- Use UL approved connectors only. Follow all local, state and national codes.
- Reinstall access panel and secure. Installation is now complete.