

# 131,SM131,PARA,PES,PEW,RDI,UC-Recessed Grid Installation Instructions

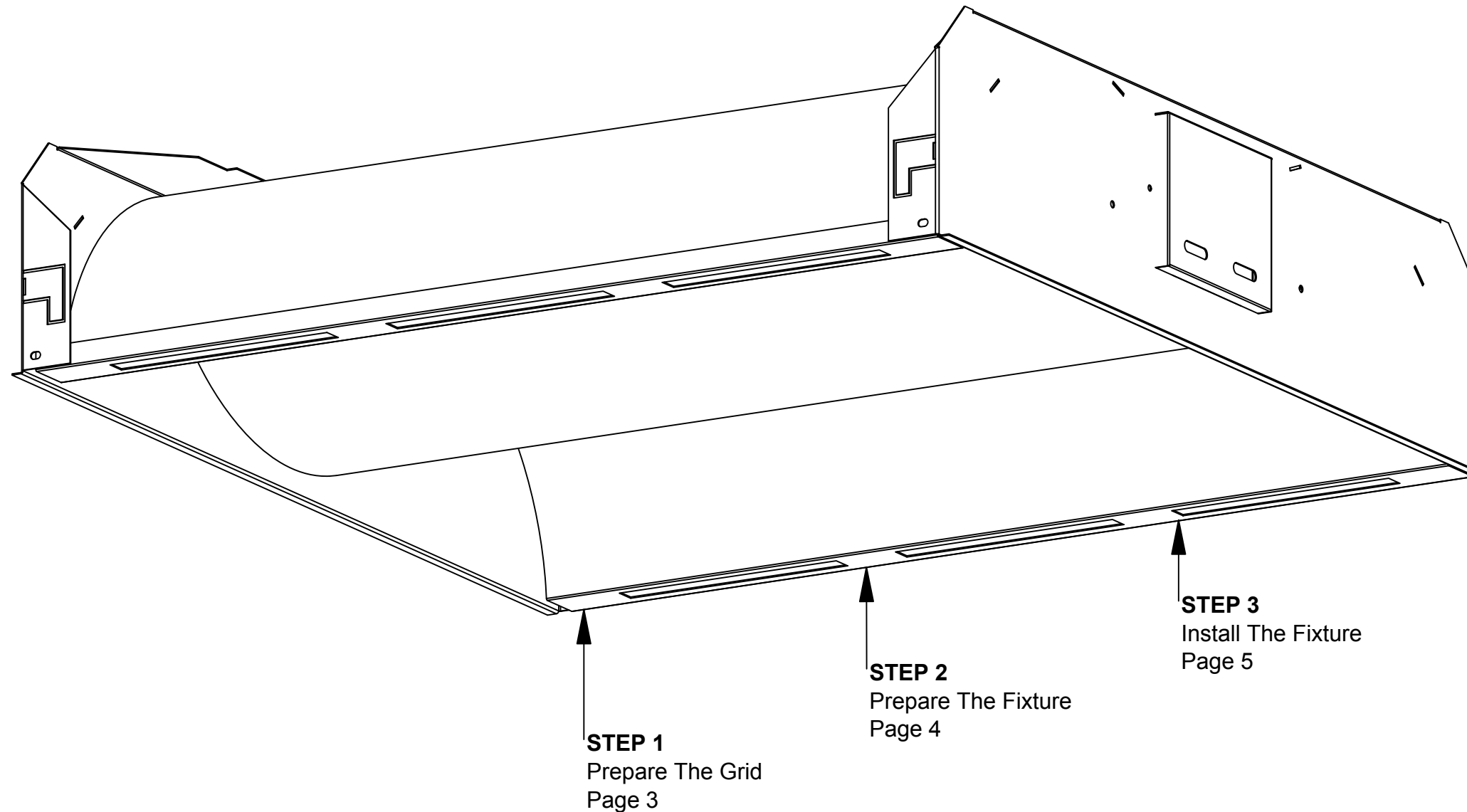
## Overview



Texas Fluorescents Reinvented

### WARNINGS

- This product must be installed in accordance with all applicable codes by a person familiar with the product.
- Each fixture must be **properly supported** during install.
- **DO NOT** join fixtures on the floor prior to lifting, or damage will occur.
- **Before beginning installation**, review our complete list of warnings by visiting [www.saylite.com/warnings](http://www.saylite.com/warnings).



We believe  
in the power  
of light.



Your particular build may vary.

2019© Saylite | 2055 Luna Road, Suite 142 Carrollton, Texas 75006 | [www.saylite.com](http://www.saylite.com)

1 of 5

Form BWE - 131,SM131,PARA,PES,PEW,RDI,UC-Recessed Grid V2 3/19

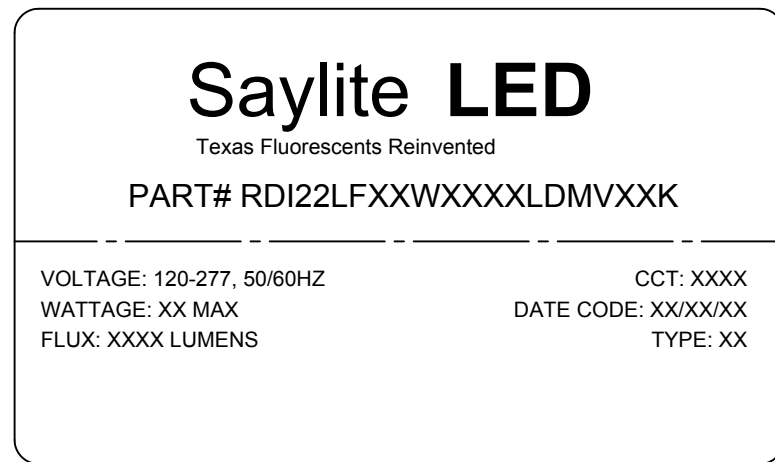
# 131,SM131,PARA,PES,PEW,RDI,UC-Recessed Grid Installation Instructions

## Preparation - Tools/Parts Identification



Texas Fluorescents Reinvented

### A. Identify Fixtures

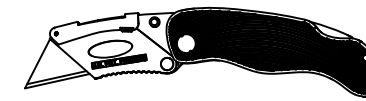


- Use labels found on the box and inside fixture bodies to identify bodies.
- **NOTE:** Locations of labels can vary.
- Remove all fixtures from their boxes.
- Organize fixtures based on their labels at the install location.

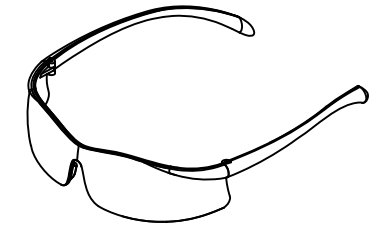
### B. Tools Needed



Screwdriver



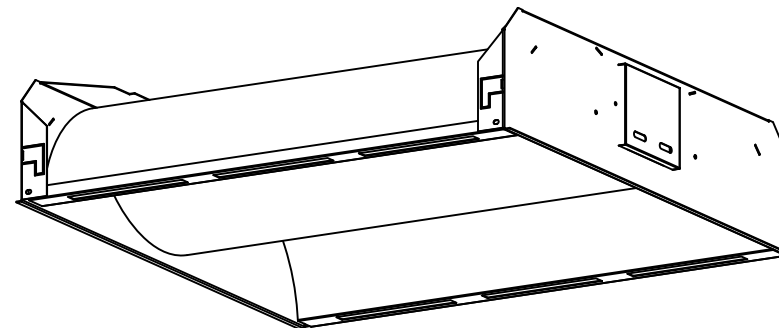
Utility Knife



Safety Glasses

- Always use proper safety equipment when installing fixtures.
- Tools shown are recommended for standard install. Tools needed may vary based on actual install location conditions.

### C. Identify Parts



Recessed Grid Fixture  
(Provided)

- Read entire install instructions before beginning installation.
- Unpack all components and arrange in order of install steps.
- For help with installation, please contact us at [www.saylite.com](http://www.saylite.com) or call us at (972) 247-3171.

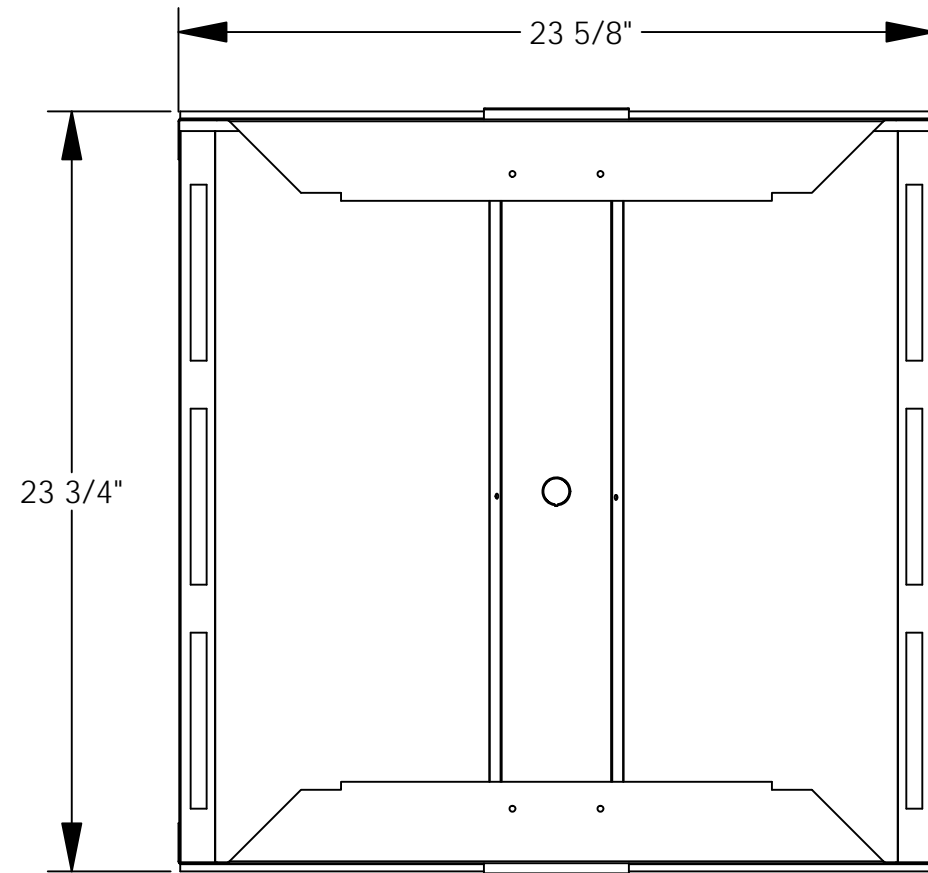
# 131,SM131,PARA,PES,PEW,RDI,UC-Recessed Grid Installation Instructions

## Step 1 - Prepare The Grid



Texas Fluorescents Reinvented

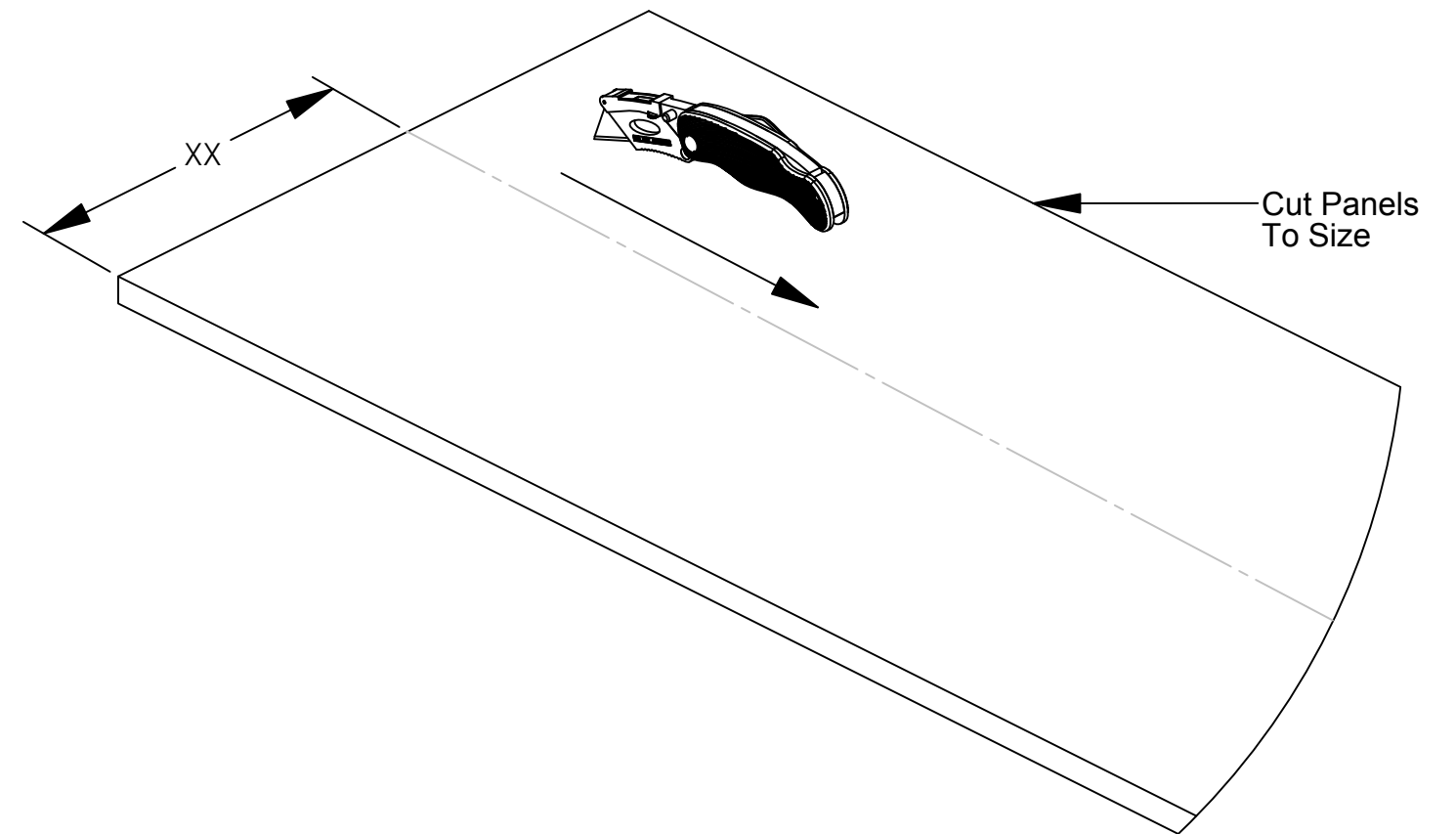
### A. Transfer Measurements



Note: 2X2 fixture shown, your fixture may vary.

- Note the length and width dimensions of the fixture, including the pre-installed flange.
- Transfer the dimensions to the grid. Set the grid rails to the proper width.

### B. Cut Ceiling Panels



- **Optional:** Cut ceiling panels to fit the custom fixture-spaced grid.

### Items Used In This Step



Utility Knife

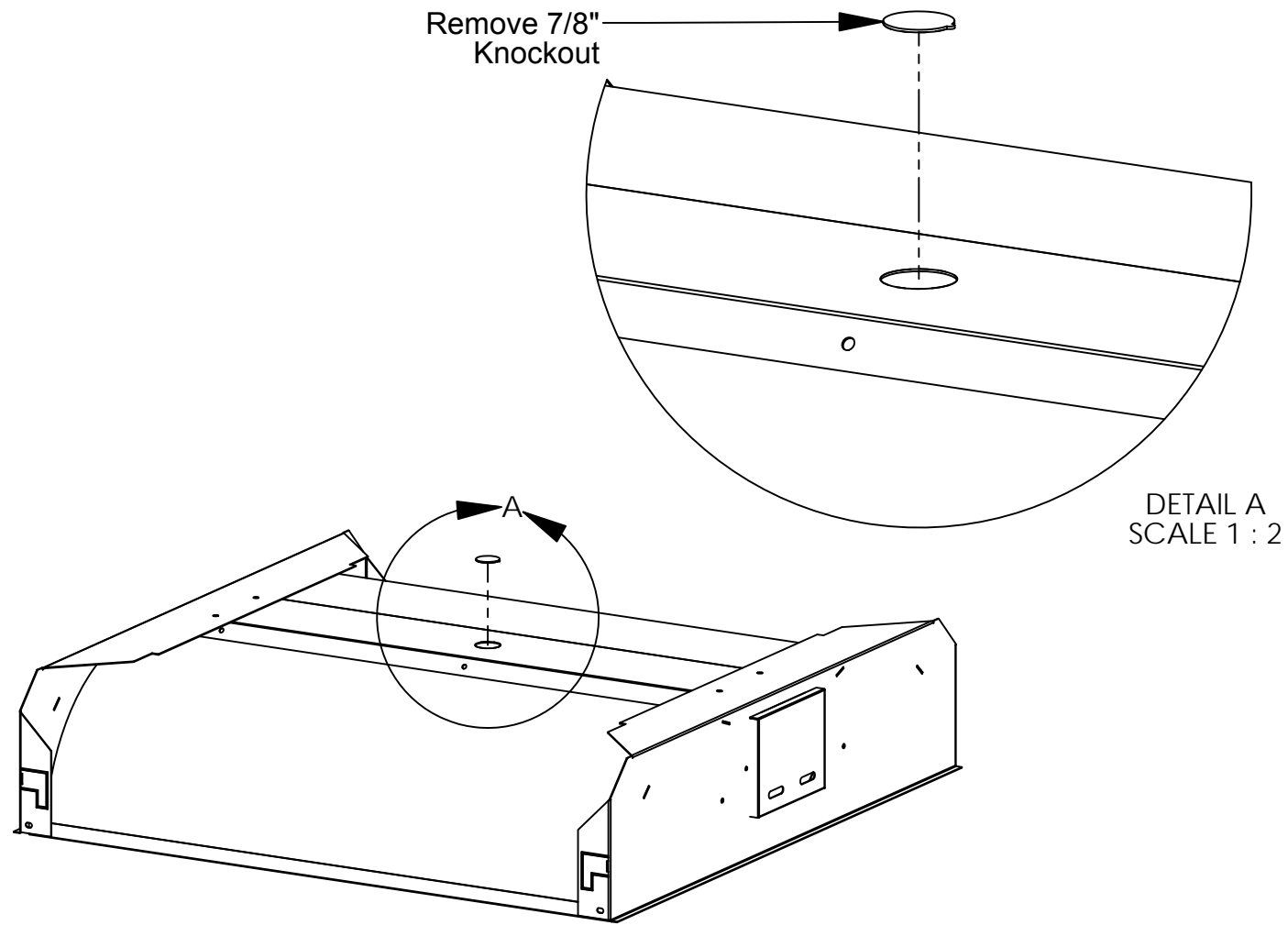
# 131,SM131,PARA,PES,PEW,RDI,UC-Recessed Grid Installation Instructions

## Step 2 - Prepare The Fixture



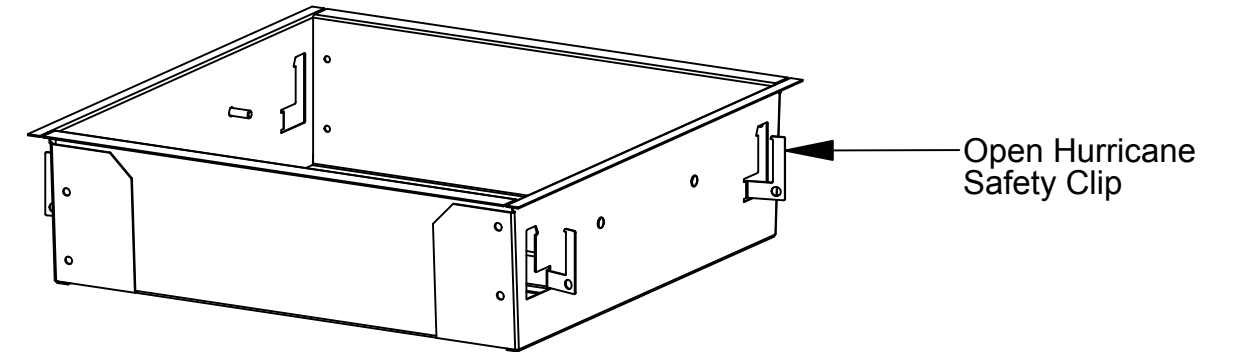
Texas Fluorescents Reinvented

### B. Remove 7/8" Knockout



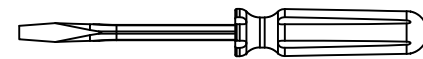
- Remove the 7/8" knockout from the desired location as shown above.

### B. Open Hurricane Clips



- Open the safety hurricane clips to 90° to prepare for the grid install.

### Items Used In This Step



Screwdriver

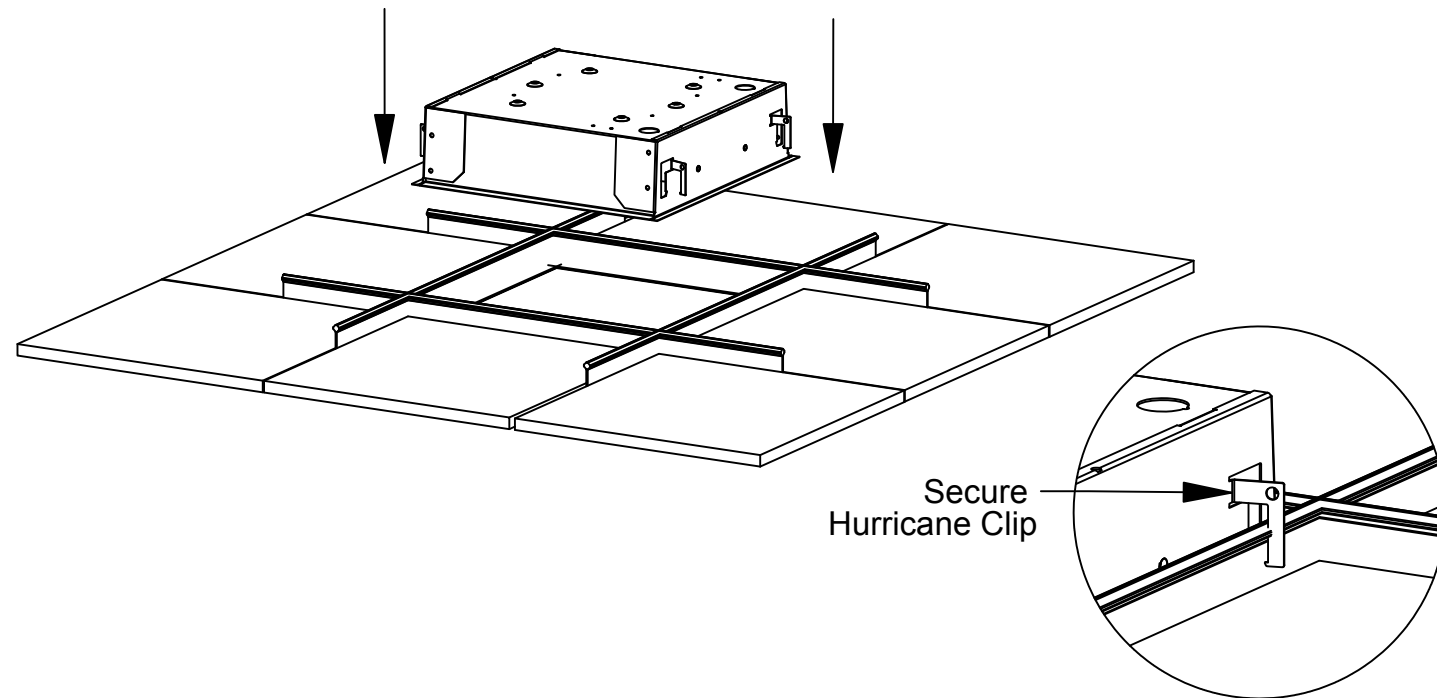
# 131,SM131,PARA,PES,PEW,RDI,UC-Recessed Grid Installation Instructions

## Step 3 - Install The Fixture

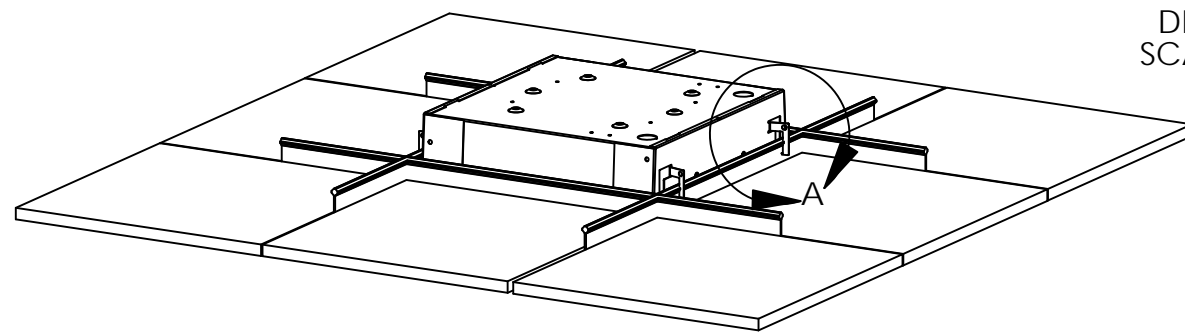


Texas Fluorescents Reinvented

### A. Install To Grid



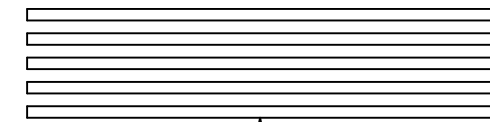
DETAIL A  
SCALE 1 : 3



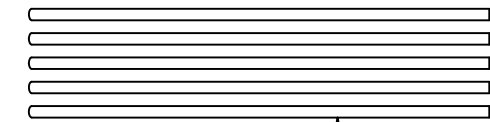
INSTALLED

- Lay the fixture in to the grid face down as shown above. Make sure all hurricane clips are over grid.
- Reinstall the components removed in Step 2-A.

### B. Wire The Fixture



Fixture Harness  
(Factory Installed)



Incoming Supply  
(Dimming Optional)

WIRING LEGEND		
Black	Hot	Line Voltage
White	Neutral	Line Voltage
Green	Ground	
Gray	Dimming	0-10V DC
Violet	Dimming	0-10V DC

- Wire the fixture to the incoming supply. Refer to the wiring legend above as needed.
- **Note:** Use UL approved connectors only. Follow all local, state and national codes.
- Install is now complete.

### Items Used In This Step

Form BWE - 131, SM131, PARA, PES, PEW, RDI, UC-Recessed Grid V2 3/19