

LED Lighting Fixture

SAVE THESE INSTRUCTIONS



BEFORE YOU BEGIN

Read and follow all safety instructions



WARNING

RISK OF FIRE, EXPLOSION AND ELECTRIC SHOCK

- This product should be installed, inspected, and maintained by a qualified electrician only, in accordance with the NEC (National Electric Code) and all local codes.
- Turn off electrical power before inspection, installation or removal.
- Use only UL (or other NRTL) approved wire for input/output connections.
- Minimum size 18 AWG or 14 AWG for continuous runs.
- Make sure LEDs and drivers are cool to touch when performing maintenance.
- Make sure the supply voltage is the same as the rated voltage of the luminaire.
- Do not install in a hazardous atmosphere, except where the ambient temperature does not exceed the rated operating temperature of the fixture.
- Keep tightly closed when in operation



Prepare Electrical Wiring



Electrical Requirements

- The LED driver must be supplied with 120 or 277V, 50/60 Hz and connected to an individual, properly grounded branch circuit protected by a 20 ampere circuit breaker. Use min. 75°C supply.



Grounding Instructions

- The grounding and bonding of the overall system shall be done in accordance with NEC Article 600 and local codes

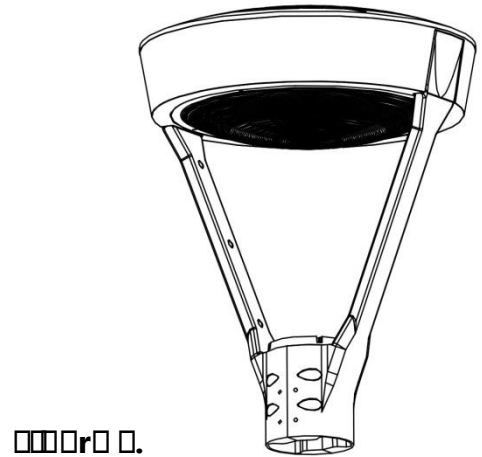
LED Lighting Fixture

LED Post Top PTR

Installation Guide

0000000000000000
M2.5 0000 000
 0 00 0000000000
 0 00 0000000000

- Before starting ensure that the power is disconnected.
- Unpack fixture and ensure that there are no damaged parts.
- NOTE: This fixture is intended to be mounted on a heavy duty pipe or tenon. Max O.D. of 2 3/8" (60mm).
- Pass wires into post top tenon or pipe. Make wire connections as seen in Figure 2.
- Position fixture on post top tenon or pipe as seen in Figure 3 and tighten down all 8 Allen head set screws to 72in-lbs (6ft-lbs).
- Restore power at circuit break and switch on power.



Standard Wiring Diagram



0000000000000000 2.

