

LS-Surface Mount Installation Instructions

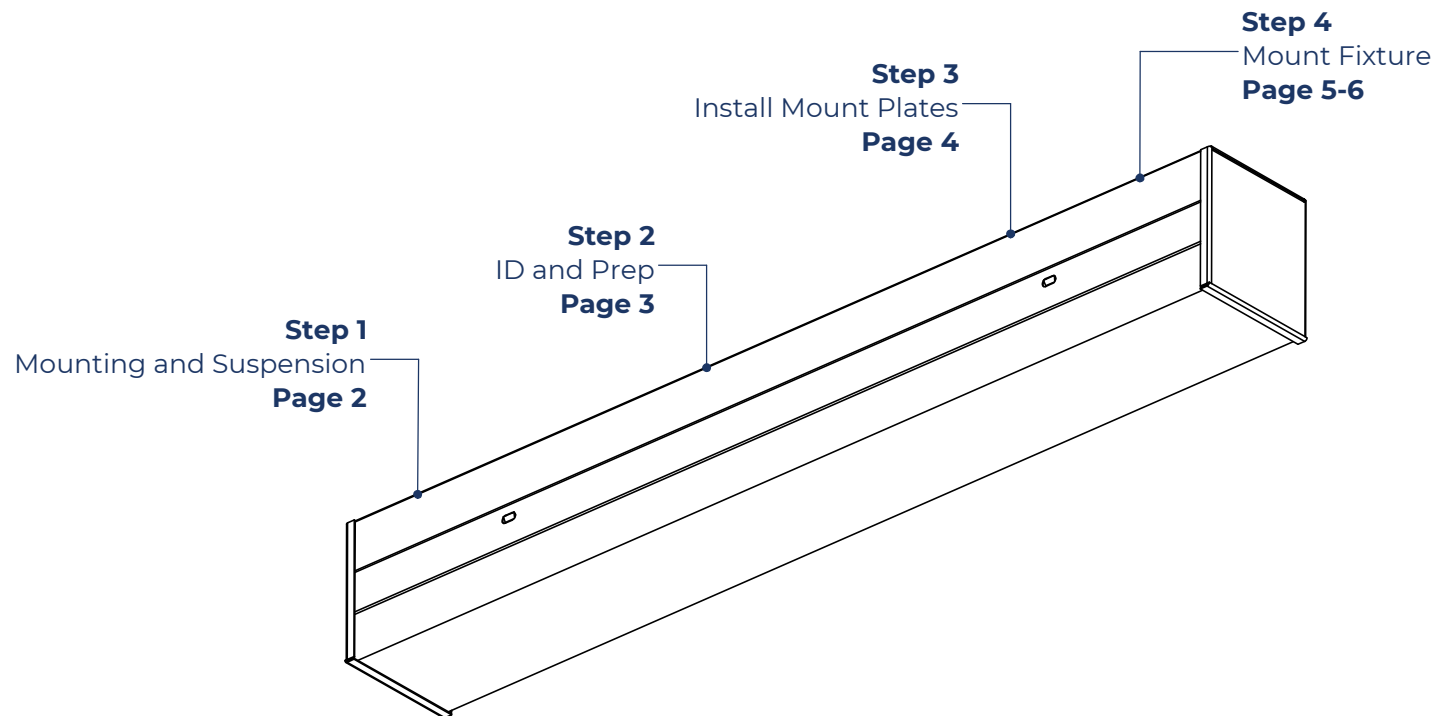
Overview



MOBERN
LIGHTING

WARNINGS

- This product must be installed in accordance with all applicable codes by a person familiar with the product.
- Each fixture must be **properly supported** during install.
- **DO NOT** join fixtures on the floor prior to lifting, or damage will occur.
- **Before beginning installation**, review our complete list of warnings by visiting www.saylite.com/warnings.



Your particular build may vary.

2020© Mobern Lighting Company | 8200 Stayton Dr., Suite 500, Jessup, MD 20794 | www.mobern.com

LS-Surface Mount Installation Instructions

Step 1 - Mounting and Suspension

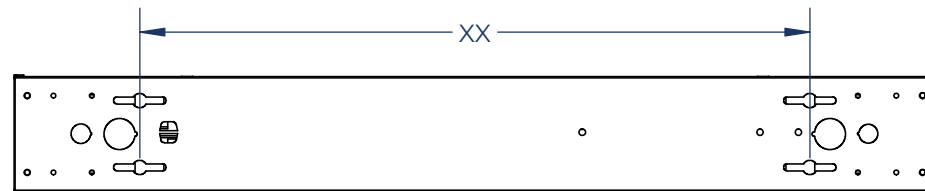


Mounting

Drywall or other hard surfaces - Anchored Screws

- Install anchors at mounting locations.
- Ensure anchors are secure.
- Prepare fixture for mounting.

Other hard surfaces include: wood, sheet metal panels, steel beams, concrete or masonry. Use hardware appropriate for each surface and material type.



Suspension Locations

X = Suspension Dimensions

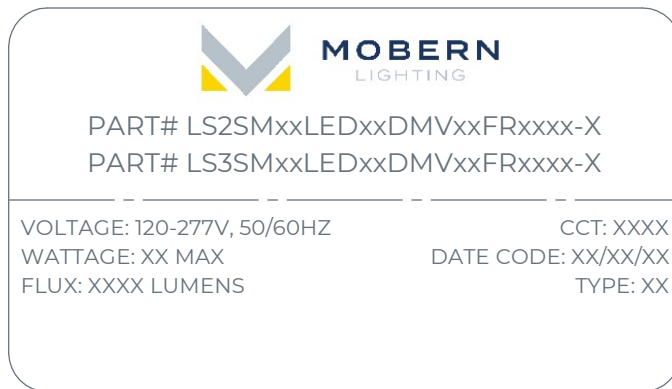
Refer to Assembly Drawings and building plans to determine exact mounting, suspension points, and power feed locations.

LS-Surface Mount Installation Instructions

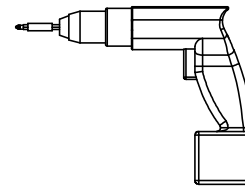
Step 2 - Identification and Preparation



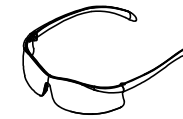
A. Identify Fixtures



B. Tools Needed



Drill



Safety Glasses

- Use labels found on the box and inside the fixture bodies to identify bodies.
- **NOTE:** Locations of labels can vary.
- Remove all fixtures from their boxes.
- Organize fixtures based on their labels at the install location.

- Always use proper safety equipment when installing fixtures.
- Tools shown are recommended for standard install. Tools needed may vary based on actual install location conditions.

Kitted Hardware

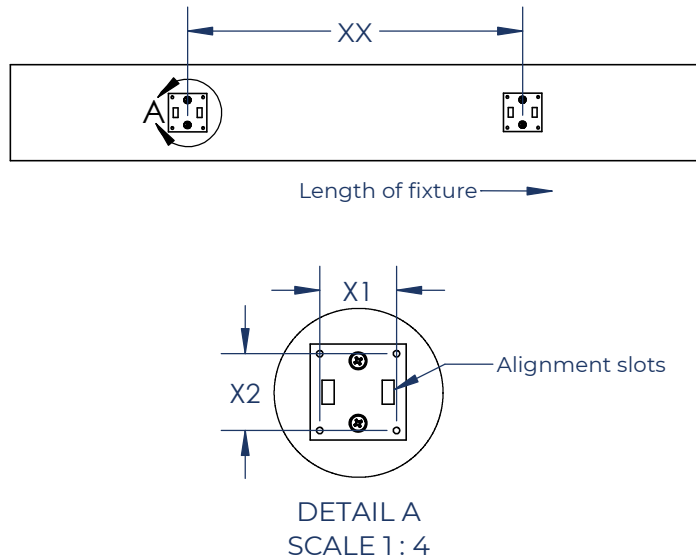
- Saylite has provided the items listed here, with their Saylite part numbers listed. These items can be found in separate boxes shipped with the fixture.
- Ensure all parts are accounted for and set them aside until needed.
- Any additional hardware needed for this installation will be provided by others.

LS-Surface Mount Installation Instructions

Step 3 - Install Mounting Plates

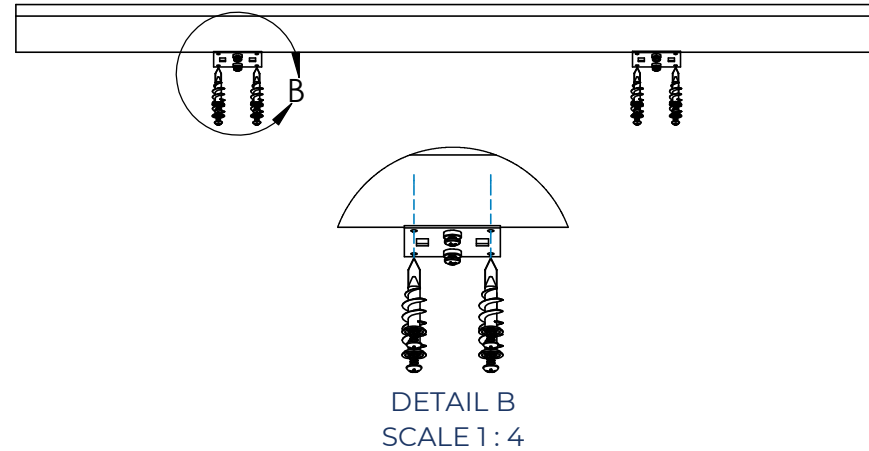


A. Transfer Measurements



- Transfer keyway dimensions from fixture and space mounting plates accordingly.
- Ensure that the alignment slots on each mounting plate are perpendicular to the length of the fixture.
- Dimensions of mounting plate will vary between MAX2 and MAX3 fixtures.

B. Install Anchors



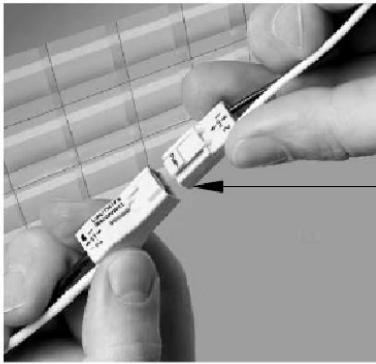
- Install the anchored screws to secure the mounting plates to the mounting surface.
- Ensure anchored screws are tight and secure before continuing to next step.

LS-Surface Mount Installation Instructions

Step 4 - Mount the Fixture



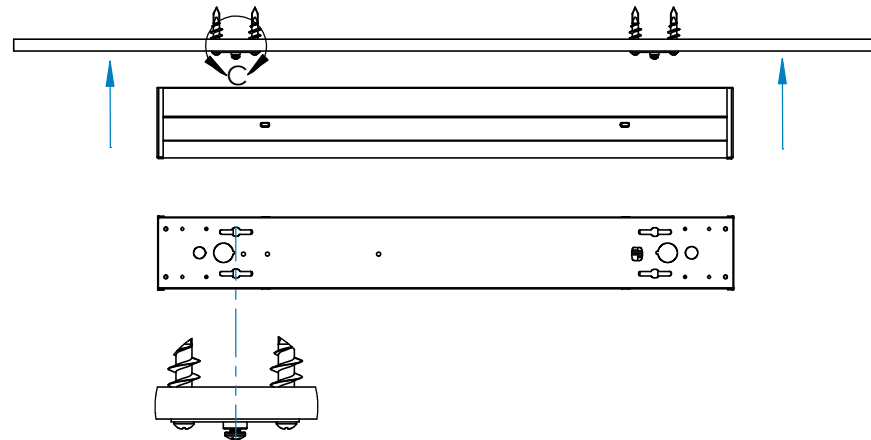
A. Connect Wiring



WIRING LEGEND		
BLACK	HOT	Line Voltage
WHITE	NEUTRAL	Line Voltage
GREEN	GROUND	
GRAY	DIMMING	0-10V DC
VIOLET	DIMMING	0-10V DC

- Wire fixtures to the incoming power supply using the provided quick disconnect clip as shown.
- For dimming option, refer to wiring legend above.
- Use UL approved connectors only. Follow all local, state and national codes.

B. Insert to Mount Plates



DETAIL C
SCALE 1 : 3

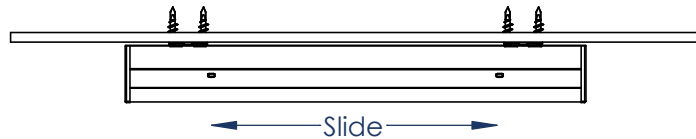
- Insert the fixture to the installed mounting plates by inserting the screw heads to the keyways of the fixture.
- The mounting plates must be aligned correctly in order to mount the fixture to the screw heads.

LS-Surface Mount Installation Instructions

Step 4 - Mount the Fixture (Cont'd)

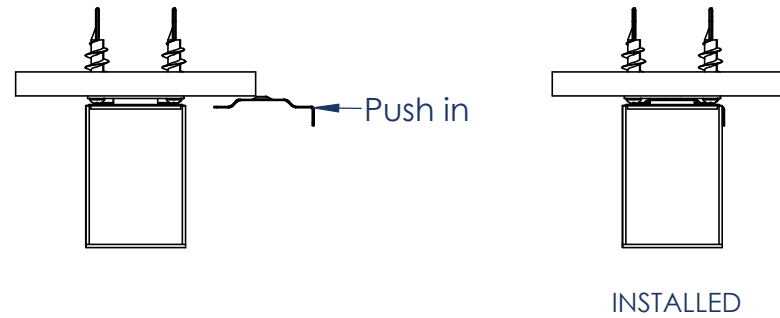


C. Slide Fixture to Secure



- Once the screw heads have been inserted into the fixture keyways, slide the fixture in the desired direction to secure it to the mounting plates.

D. Install Retaining Brackets



- Insert the retaining brackets from the side of the fixture at the mounting plate locations and push in until the flange touches the fixture side.
- Fixture installation is now complete.