

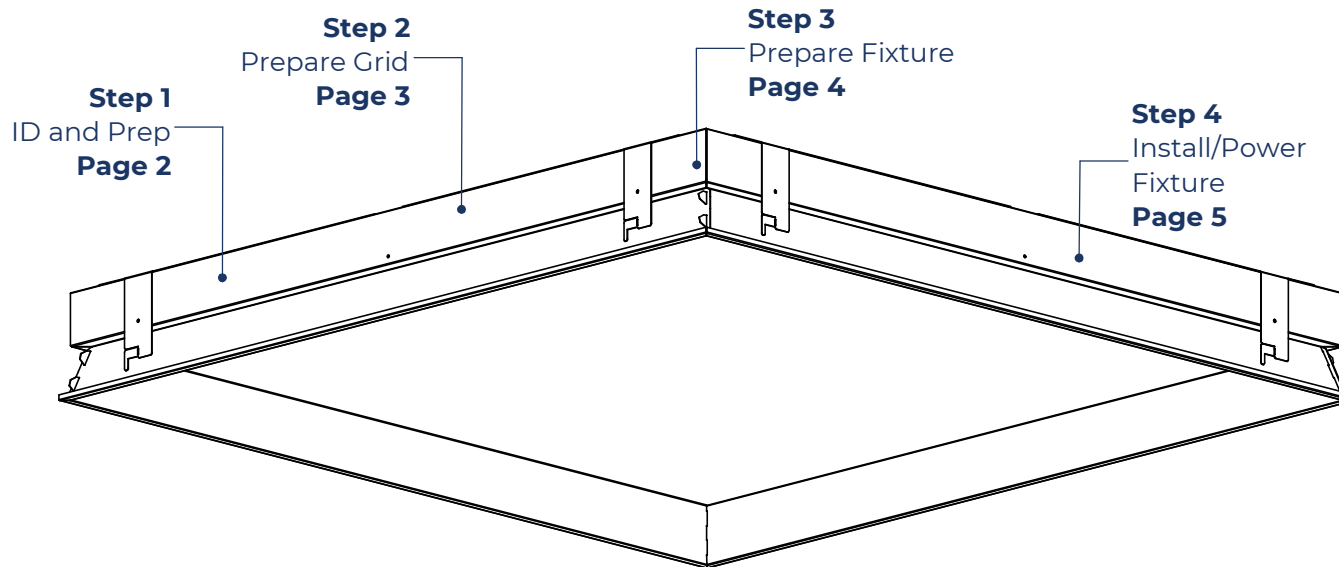
SKBW Installation Instructions

Overview



WARNINGS

- This product must be installed in accordance with all applicable codes by a person familiar with the product.
- Each fixture must be **properly supported** during install.
- **DO NOT** join fixtures on the floor prior to lifting, or damage will occur.
- **Before beginning installation**, review our complete list of warnings by visiting www.saylite.com/warnings.



Your particular build may vary.

2020© Mobern Lighting Company | 8200 Stayton Dr., Suite 500, Jessup, MD 20794 | www.mobern.com

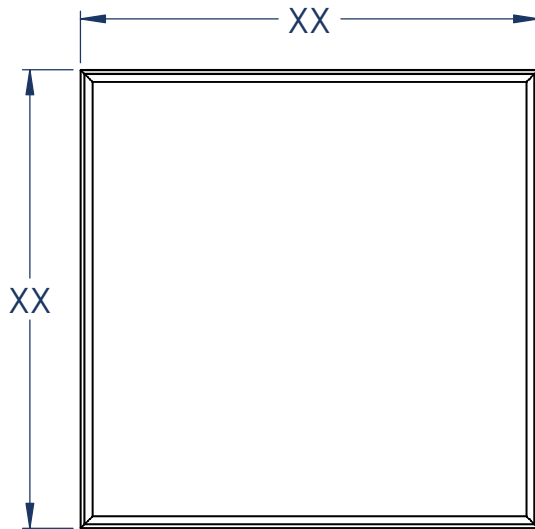
Form MCM - MOB-SKBW, V1, 09/20

SKBW Installation Instructions

Step 1 - Mounting and Suspension

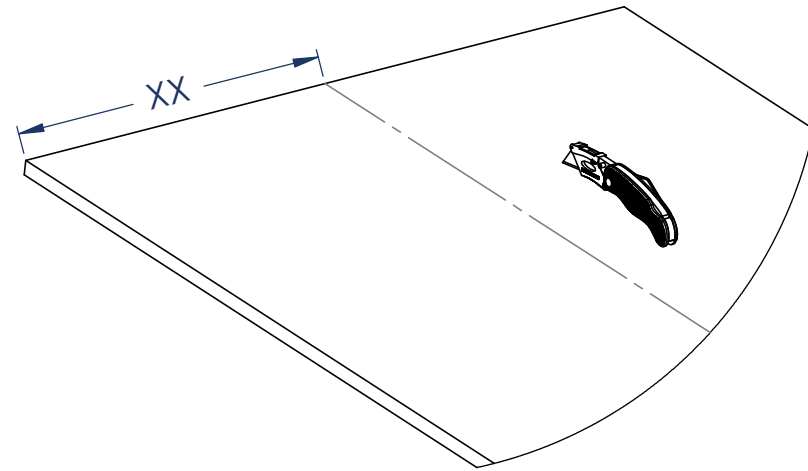


A. Transfer Fixture Measurements



- Note the length and width of the fixture.
- Transfer the dimensions to the hanging grid and set the grid rails to the proper width.

B. Cut Grid Panels



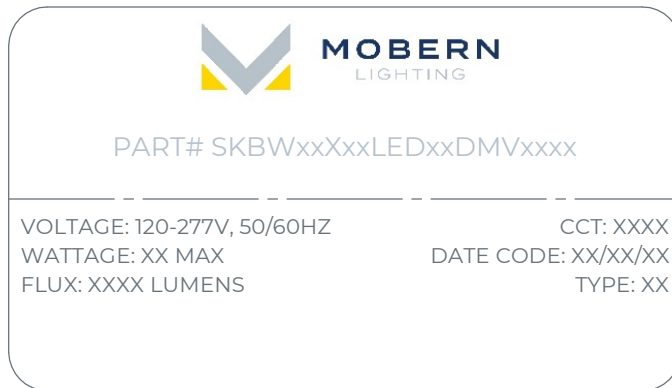
- Optional: Cut ceiling tiles to fit custom fixture spaced grids.

SKBW Installation Instructions

Step 2 - Identification and Preparation



A. Identify Fixtures

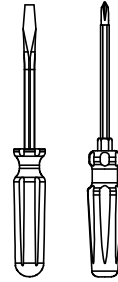


- Use labels found on the box and inside the fixture bodies to identify bodies.
- **NOTE:** Locations of labels can vary.
- Remove all fixtures from their boxes.
- Organize fixtures based on their labels at the install location.

Kitted Hardware

- Saylite has provided the items listed here, with their Saylite part numbers listed. These items can be found in separate boxes shipped with the fixture.
- Ensure all parts are accounted for and set them aside until needed.
- Any additional hardware needed for this installation will be provided by others.

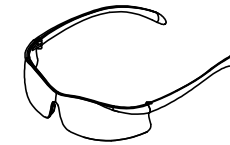
B. Tools Needed



Screwdrivers



Pliers



Safety Glasses

- Always use proper safety equipment when installing fixtures.
- Tools shown are recommended for standard install. Tools needed may vary based on actual install location conditions.

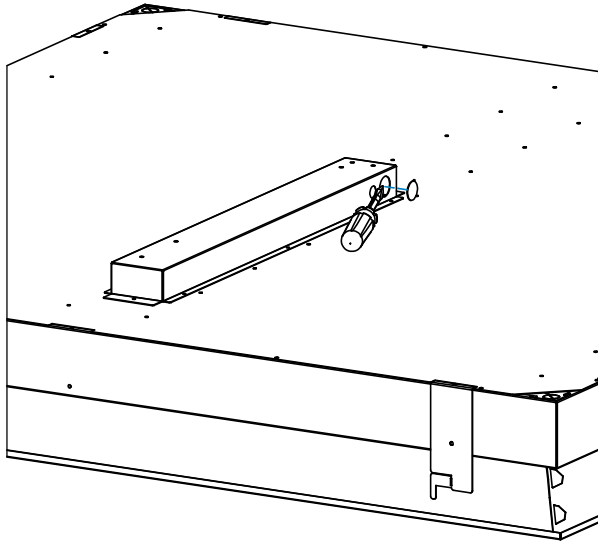
SKBW Installation Instructions

Step 3 - Prepare the Fixture



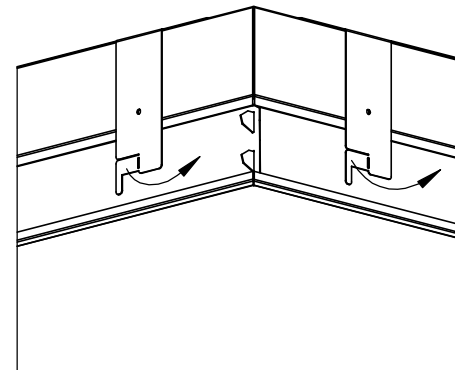
MOBERN
LIGHTING

A. Remove Power Knockout



- Using a flat head screwdriver, gently pry off the knockout on the driver cover box on the back of the fixture.

B. Open Hurricane Clips



- Open the hurricane clips to 90° to prepare the fixture for mounting on the grid.

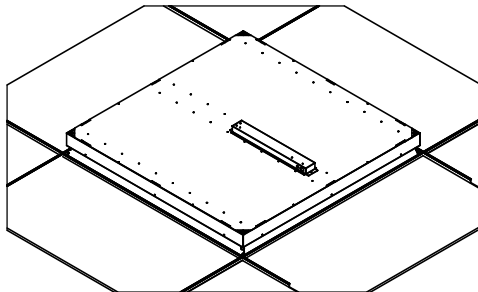
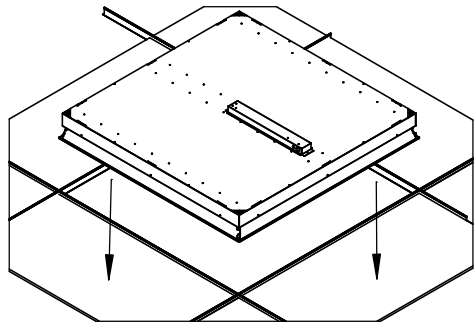
SKBW Installation Instructions

Step 4 - Install and Power Fixture



MOBERN
LIGHTING

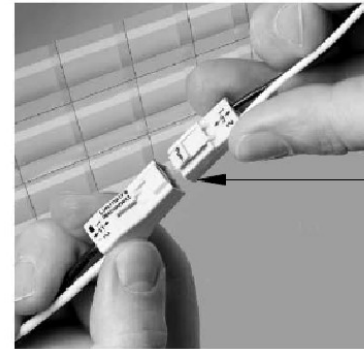
A. Install to Grid



Installed

- Install the fixture to the grid, ensuring all hurricane clips are over the grid.

B. Connect Fixture Wiring



WIRING LEGEND		
BLACK	HOT	Line Voltage
WHITE	NEUTRAL	Line Voltage
GREEN	GROUND	
GRAY	DIMMING	0-10V DC
VIOLET	DIMMING	0-10V DC

- Wire the fixture to the incoming power supply using the provided quick disconnect clip as shown.
- For dimming option, refer to wiring legend above.
- Use UL approved connectors only. Follow all local, state and national codes.
- Fixture installation is now complete.