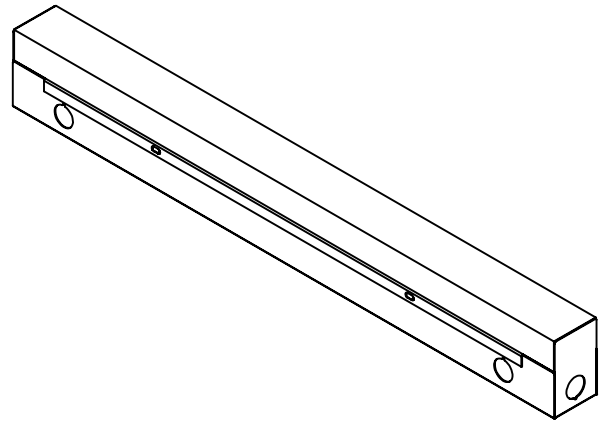




**MOBERN**  
LIGHTING



## INSTALLATION INSTRUCTIONS FOR THE 42E SERIES FIXTURE

**APPLICATION:** General/Perimeter Lighting



### STOP! - READ THIS FIRST! - IMPORTANT SAFETY INSTRUCTIONS!

- For information on how to recycle LED/Fluorescent electronic products, please visit [www.epa.gov](http://www.epa.gov).
- Do not install damaged product. This fixture is properly packed to prevent damage during transit.
- All wiring connections should be capped with UL approved recognized wire connectors.
- Do not touch LED diodes or any connecting clips; these parts are very sensitive.
- Do not exceed maximum wattage marked on fixture label.

Carefully read the instructions pertaining to your fixture thoroughly. <b>IF YOU HAVE ANY QUESTIONS REGARDING THE PROPER INSTALLATION OR LOCAL CODES, CONSULT A QUALIFIED ELECTRICIAN.</b>	Injury to persons and damage to the fixture and/or mounting surface may occur if the fixture is pulled from the surface. To reduce risk of injury or damage, mount only to a mechanically sound surface.
Both cord set and hard wired fixtures are intended for connection to a grounded, three-wire source of supply.	Install and wire the fixture in locations in accordance with all national, state and local codes.
Do not install outdoors or in applications other than intended use.	To avoid shock hazard, do not work with live electrical wires.
Ensure fixture is properly grounded before testing.	This fixture is intended for dry applications only.



**WARNING:** THIS PRODUCT MUST BE INSTALLED IN ACCORDANCE WITH THE APPLICABLE INSTALLATION CODE BY A PERSON FAMILIAR WITH THE CONSTRUCTIONS AND OPERATIONS OF THE PRODUCT AND THE HAZARDS INVOLVED.



**WARNING:** RISK OF FIRE; MINIMUM OF 90°C SUPPLY CONDUCTOR SHOULD BE USED. CONSULT A QUALIFIED ELECTRICIAN TO ENSURE CORRECT BRANCH CIRCUIT CONDUCTOR.




**WARNING:** TO AVOID ELECTRIC SHOCK HAZARD, DISCONNECT THE POWER AT THE PANEL BOARD (CIRCUIT BREAKER BOX) BEFORE BEGINNING INSTALLATION.



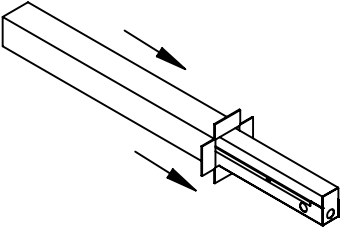
**WARNING:** TO AVOID FIRE HAZARD RISK, WHEN INSTALLING HARD WIRED UNITS, BE AWARE IF SUPPLY WIRES ARE LOCATED WITHIN THREE INCHES OF BALLAST. IF SO, USE WIRE RATED FOR AT LEAST 90°C (194°F). IF UNSURE, CONSULT A QUALIFIED ELECTRICIAN BEFORE INSTALLING.

**1**



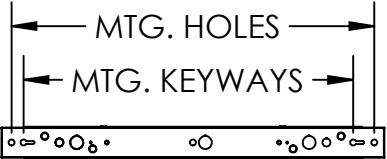
**REMINDER:** TO AVOID ELECTRIC SHOCK HAZARD, DISCONNECT THE POWER AT THE PANEL BOARD (CIRCUIT BOX) BEFORE BEGINNING INSTALLATION!

**2**



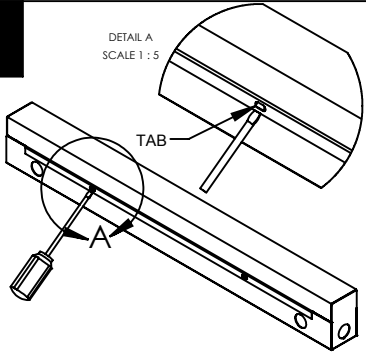
Carefully remove fixture from packaging. Use gloves to prevent dirt and oils from transferring to the unit. Inspect the fixture for any defects before proceeding.

**3**



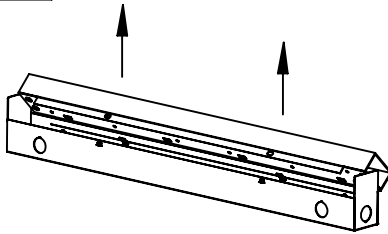
Take note of mounting location positions on bottom of fixture. Transfer the desired dimensions to the mounting surface. **Only mount to a secure surface!**

**4**



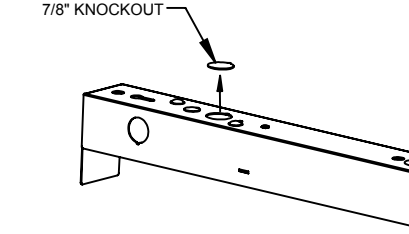
Release the locking tab by first sliding a screwdriver under the flange of the fixture lid. Next, use a gentle prying motion to release the tab. Repeat for opposite end of fixture.

**5**



Open the fixture by rotating the gear tray slightly as shown above. Then, slide the hinge tabs out of their slots on the opposite side. The lens stays secured to the gear tray.

**6**



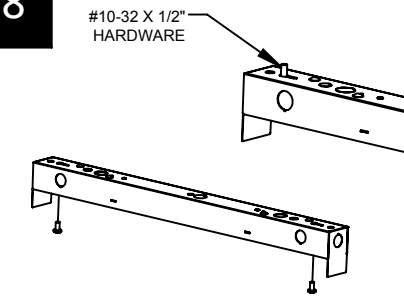
With the fixture open, turn the pan over and remove the desired .875" knockout from the bottom of the fixture.

**7**



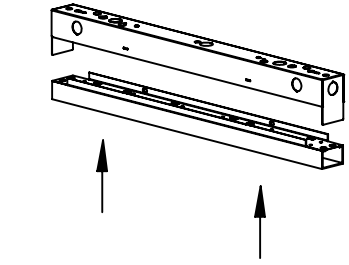
Wire the fixture to the incoming supply in accordance with all local, state and national codes.

**8**



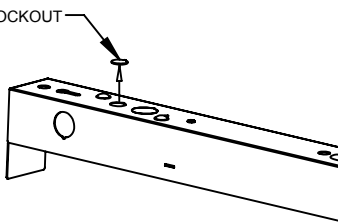
Mount the pan to a secure surface using approved hardware as shown above.

**9**



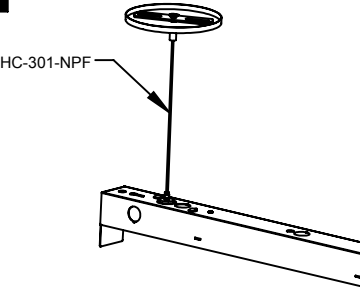
Reinstall the gear tray to the pan by performing Step 5 in reverse. **Make sure both tabs are securely locked.**

**P1** \*PENDANT MOUNT OPTION\*



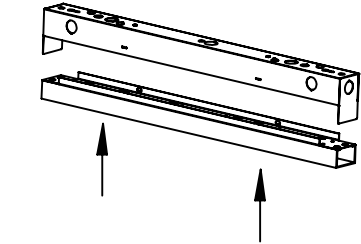
Prior to Step 8, remove the 1/2" knockout for pendant mount as shown. Repeat for opposite end.

**P2** \*PENDANT MOUNT OPTION\*



Install the HC-301-PF/NPF pendant mount kit to both ends of the fixture. Refer to HC-301-PF and HC-301-NPF for installation details.

**P3** \*PENDANT MOUNT OPTION\*



Reinstall the gear tray to the pan by performing Step 5 in reverse. **Make sure both tabs are securely locked.**