

MOBERN LIGHTING

8200 STAYTON DR SUITE 500 | JESSUP MD, 20794

PH: 800-444-9288 | FAX:301-953-9310

WEBSITE: WWW.MOBERN.COM

VW INSTALLATION

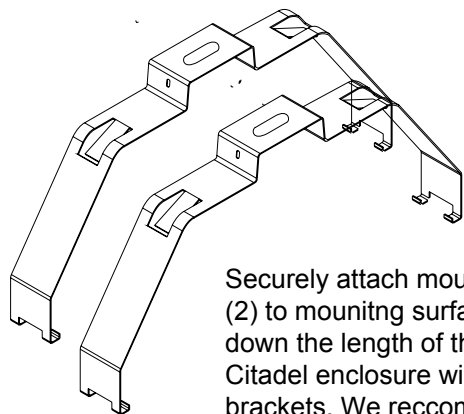
(SOME COMPONENTS MAY VARY)



NOTE:

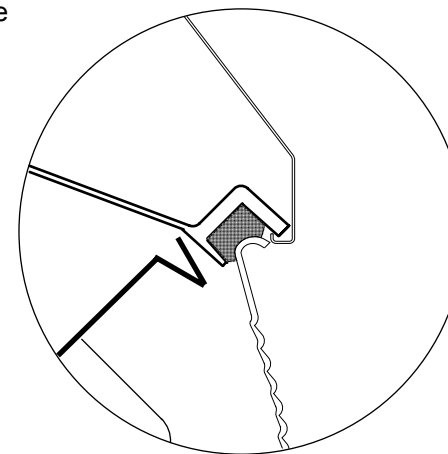
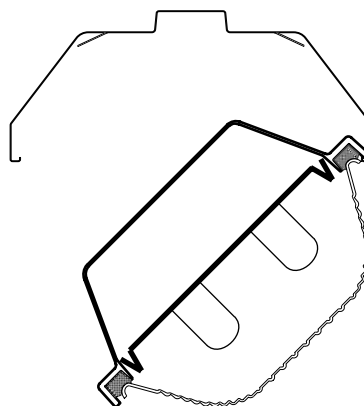
These instructions also apply to the VW fixture.

1.



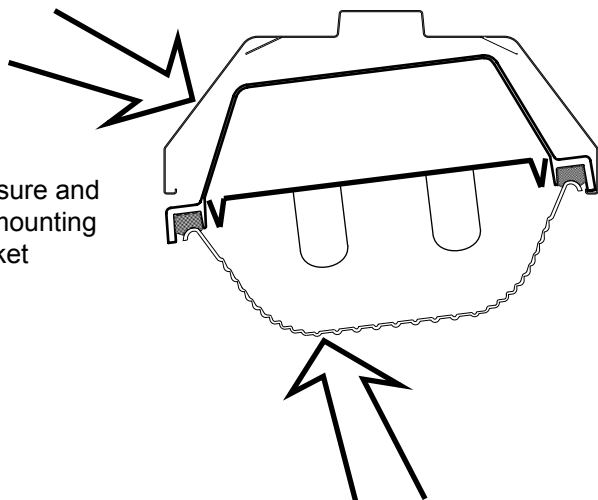
Securely attach mounting brackets (2) to mounting surface anywhere down the length of the fixture. The Citadel enclosure will engage the brackets. We recommend the spacing between the brackets to be about 60% of the fixture length.

2. Insert one side of the VW housing into the mounting brackets

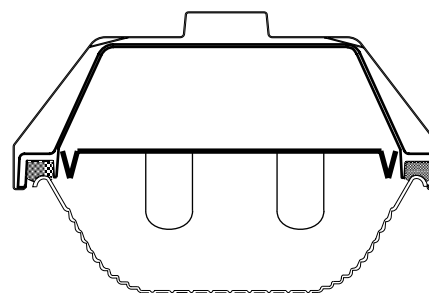


3.

Push up on the enclosure and then press in on the mounting bracket until the bracket snaps into place.



4.



Verify that the enclosure is fully supported before connecting a power supply.

5. **OPTIONAL:** If using stem mounting kit, thread the stem in to the factory installed adapter on the fixture. Follow stem kit mounting instructions.

