



Texas Fluorescents  
Reinvented

CATALOG#: \_\_\_\_\_  
PROJECT: \_\_\_\_\_  
TYPE: \_\_\_\_\_

# Series VPC/VPW

## LED VAPORPROOF LIGHTING

This rugged vapor-proof LED light is built to last. With industrial-grade rubber gaskets and automobile grade aluminum, this LED light is a beacon against Mother Nature. With a COB LED inside, it provides performance lighting while utilizing very little power. With a die-cast guard on the outside of the glass. It protects the high power LED. This fixture can be used in warehouse, docks, restaurants, or any outdoor application .

### CONSTRUCTION

Solid construction die-cast aluminum body ½" conduit plug-all 4 sides. UV stabilized powder coated finish.

### MOUNTING

Ceiling mounted or wall mounted.



### DIMENSIONS

VPC: 6" Diameter x 11.3"H

VPW: 8.80"E x 12.30"H

### FEATURES & BENEFITS

- Die-cast guard on the outside glass
- UV stabilized powder coated finish
- Ceiling Mounted or Wall Mounted
- Finish - Sandblasted Silver
- UL/cUL Listed





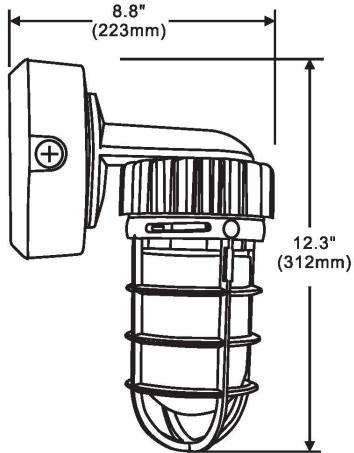
Texas Fluorescents  
Reinvented

CATALOG#: \_\_\_\_\_  
PROJECT: \_\_\_\_\_  
TYPE: \_\_\_\_\_

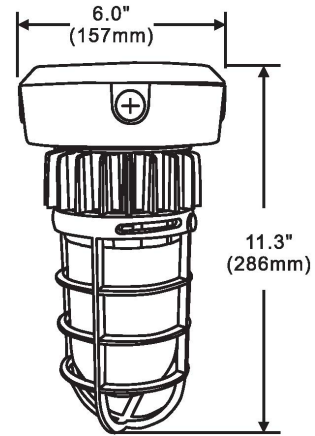
# Series VPC/VPW

LED VAPORPROOF LIGHTING

## DRAWINGS & IMAGES



VPW



VPC

## PRODUCT NUMBERS

ITEM NUMBER	DESCRIPTION
VPC6L14W900LMV50K	LED VAPORPROOF LIGHTING / 12.10"H x 8.75"W / 14W, 900L / 120-277V / 5000K / Satin Nickel
VPC18W1500LMV50K	LED VAPORPROOF LIGHTING / 11.3"H x 6"W / 18W, 1500L / 120-277V / 5000K / Satin Nickel
VPW18W1500LMV50K	LED VAPORPROOF LIGHTING / 12.3"H x 8.8"W / 18W, 1500L / 120-277V / 5000K / Satin Nickel