



Texas Fluorescents  
Reinvented

### Features and Benefits

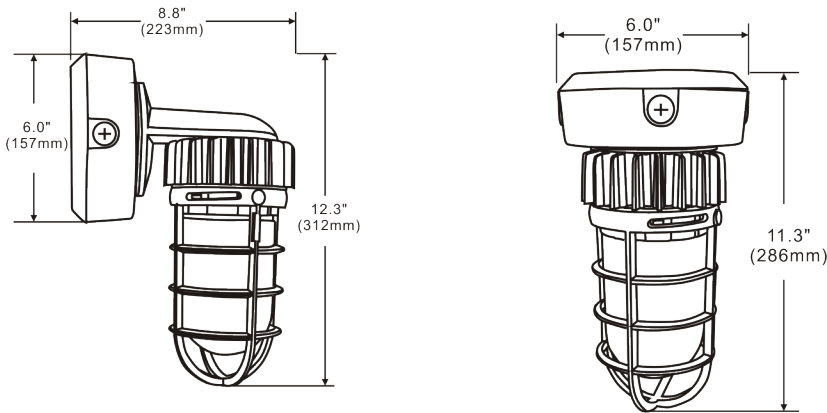
Heavy-duty powder coated die-cast aluminum body houses a clear heat resistant tempered glass with high temperature silicon gaskets. Ideal for parking lots, warehouses, farms, residential areas, walkways, underpasses, gas stations, factories, loading docks and more.

**PLUS** Ideal fixtures for LED with low wattage, high output and long life. Available for walls or ceilings, all with multiple 1/2" knockouts.

### General Specifications

- Die cast housing
- UL listed / CUL listed for damp locations
- Input voltage: 120V AC
- Highest quality long life LEDs
- LowTj for long life, low lumen depreciation
- LED power - 17 Watts
- Lumens - approx. 900 Lumens
- Low starting temp - 30°C
- Color temperature - 5000K
- **3 Year Warranty**

### DIMENSIONS



Project	Type

## VP Series LED VAPOR PROOF



Example: **VPC6L17W900L50K**

SERIES	SIZE	WATTS/LUMENS	COLOR TEMP
<b>VPC</b> - Ceiling <b>VPW</b> - Wall	<b>6L</b> - 6" Wide Ceiling version only	<b>17W900L</b> - 17 Watts/900 Lumens	<b>50K</b> - 5000 Kelvins

Catalog Number:
Notes: