

FEATURES & SPECIFICATIONS

INTENDED USE

This new Tapered Disk Light provides bright general illumination from a small, sleek style providing 75% energy savings and lasts 40 times longer than the conventional recessed downlight options. This Close-To-Ceiling 120V LED fixture with a tapered metal body and translucent white acrylic diffuser mounts simply to a standard 4 inch J-box and is less than 2" deep. Available in 3 finishes - white, brushed aluminum and bronze - allows a coordinated look in any application. This LED disk provides 1100 lumens equivalent to 100W incandescent from only 15 watts and is available in 3000K or 4000K. These fixtures are dimmable with leading edge controls. See compatible dimmer list below.

These tapered LED Close-to-Ceiling fixtures are a particularly good solution in wet location applications where normally a much larger and usually simple utilitarian look is used like in outdoor breezeways and shower/bathroom applications. They are also stylish substituted for recessed downlights especially where ceiling obstructions or codes make a surface mount a good solution. It is ideal for applications that require expensive fire rated boxes for recessed fixtures since these mount simply to a surface mounted junction box.

DIMENSIONS

7 3/8"D x 1 1/2"H

CONSTRUCTION

Heavy gauge metal housing powder coated houses 120V LED array and is dimmable with selected dimmers.* LEDs are comfortably diffused with translucent white opal acrylic diffuser to provide glare free light. Lens twists on for locking fit.



MOUNTING

Surface mounts to standard 4 inch junction box with two screws. For wet location apply silicone caulk around the edges of the coverplate to provide a watertight seal from rain and moisture.

DIMMING

Features dim with leading edge or select trailing edge controls. See next page.

LISTING: ETL Wet Location, FCC Part 15 Subpart B Class B

WARRANTY: 5 Year Limited Warranty

ORDERING INFORMATION

Example: TDL6L15W1100L30KWH

ITEM NO.	DESCRIPTION
TDL6L15W1100L30KWH	7 3/8"D x 1-1/2"H DISK LIGHT 15W/1100 Lumen 120V AC 3000K WHITE
TDL6L15W1100L30KBA	7 3/8"D x 1-1/2"H DISK LIGHT 15W/1100 Lumen 120V AC 3000K BRUSHED ALUMINUM
TDL6L15W1100L30KBZ	7 3/8"D x 1-1/2"H DISK LIGHT 15W/1100 Lumen 120V AC 3000K BRONZE
TDL6L15W1100L40KWH	7 3/8"D x 1-1/2"H DISK LIGHT 15W/1100 Lumen 120V AC 4000K WHITE
TDL6L15W1100L40KBA	7 3/8"D x 1-1/2"H DISK LIGHT 15W/1100 Lumen 120V AC 4000K BRUSHED ALUMINUM
TDL6L15W1100L40KBZ	7 3/8"D x 1-1/2"H DISK LIGHT 15W/1100 Lumen 120V AC 4000K BRONZE



Saylite

2055 Luna Rd. Suite 142 Carrollton, TX 75006

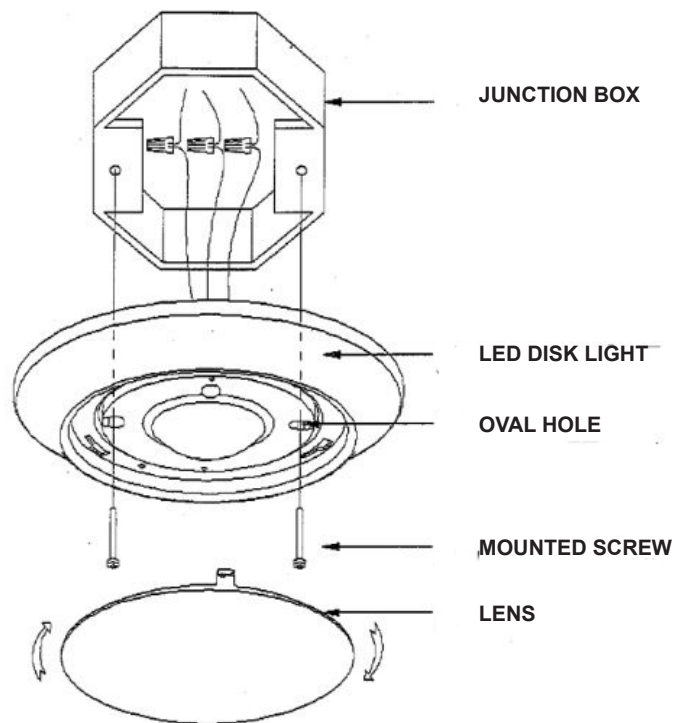
Phone: 972-247-3171 Fax: 972-247-0200

www.saylite.com email: sales@saylite.com

Catalog Number:

Notes:

BRANDS	MODEL	DIMMER TYPE	MIN. FLUX (%)
Cooper	DAL06P	Leading	0.98%
Cooper	TAL06P	Leading	0.00%
Cooper	SAL06P	Leading	0.40%
Levitron	IP106-1LZ	Leading	2.18%
Levitron	6602	Leading	0.00%
Levitron	6633	Leading	0.00%
Levitron	6681	Leading	0.00%
Levitron	6683	Leading	0.00%
Levitron	6672	Leading	2.18%
Levitron	6674	Leading	2.63%
Levitron	6631	Leading	0.00%
LUTRON	DV-600P-IV	Leading	0.00%
LUTRON	AY-600P-IV	Leading	0.00%
LUTRON	DV-600PR-WH	Leading	0.00%
LUTRON	DV-600PR-LA	Leading	0.00%
LUTRON	TG-600PR-LA	Leading	0.50%
LUTRON	CTCL-153P	Leading	0.00%
LUTRON	MACL-153MH-WH	Leading	2.69%
LUTRON	DVELV-300P	Trailing	3.14%



WARNING:

- Read all instructions before installation
- System is intended for installation by a qualified electrician in accordance with the National Electrical Code and local regulations.
- Go to the main fuse box or circuit breaker. Place the main power switch in the "OFF" position and unscrew the fuse(s) or switch "OFF" the circuit breaker switch(es) that control the power to the fixture or room that you are working on.
- Place the wall switch in the "OFF" position.
- Supply conductors (Power Wires) connecting the fixture must be rated minimum 90°C. If uncertain, consult an electrician.
- The luminaire should be installed by a licensed electrician.

CAUTIONS:

- These luminaires (fixtures) are designed to meet the latest NEC requirements and are listed in full compliance with ETL list.
- Before attempting installation, check your local electrical code, as it sets the wiring standards for your locality.

INSTALLATION:

Over standard electrical junction box

1. Provide electrical service according to the "National Electrical Code" or your local electrical code to the outlet box.
2. Connect supply wires to fixture wires and insulate with proper size wire nuts.
3. Connect incoming ground wire (green or bare) to fixture ground wire (green or bare).
4. Connect incoming hot (typically black) wire to fixture black wire.
5. Raise the disk light to the junction box and tighten screws.

LENS INSTALLATION:

Twist the lens clockwise on the disk light metal enclosure and lock the lens in place.

CAULKING AROUND THE FIXTURE (OPTIONAL)

Apply silicone caulk around the edges of the coverplate to provide a watertight seal from rain and moisture.