

FEATURES & SPECIFICATIONS

INTENDED USE

Specification grade, dual lamp strip for interior coves, valances, and displays requiring lighting without dark areas at lamp ends. Mini body style

SIZE W x L x H in inches (mm)

3.12W x 1.43H (80 x 35)

Fixture length defined in ordering table.

LAMP

2 lamp positions.

MATERIALS & FEATURES

Housing is die-formed and embossed code 22 gage steel. Finish is high reflectance baked white enamel. Wiring knockouts are provided on back and end of housing. Ballast covers attach without tools to simplify ballast access.

- Mini body style for areas with minimum clearance.
- Available with T5 or T8 lamp styles.
- Offset provides continuous row lighting.

MOUNTING

Surface mount. See end of chapter for accessory mount kits.

LISTING

Fixture and Ballast: UL Listed.

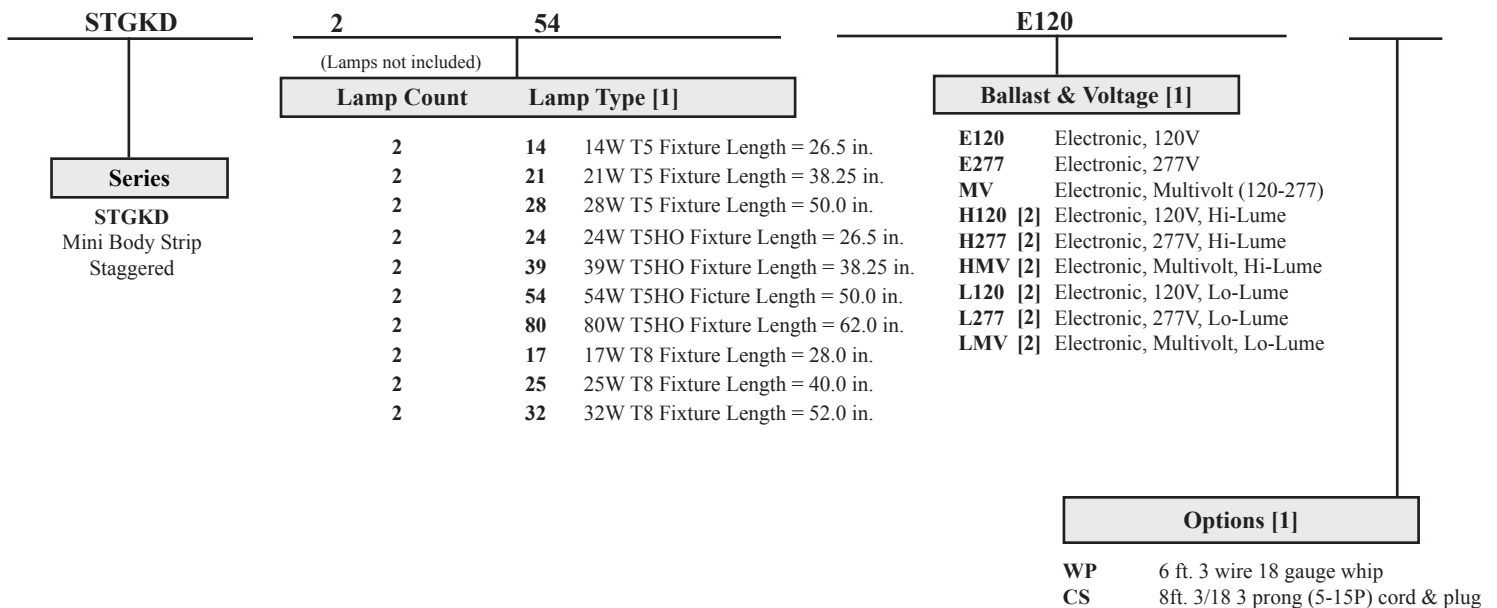
Ballast: Thermally protected, class P, HPF, Non PCB; unless specified otherwise.

TYPICAL OPTIONS AND ACCESSORIES

Whips, fuses, and cord sets. See options page at the end of the T02Strip section, or contact factory for more details.

ORDERING INFORMATION

Example: STGKD 2 54 E120



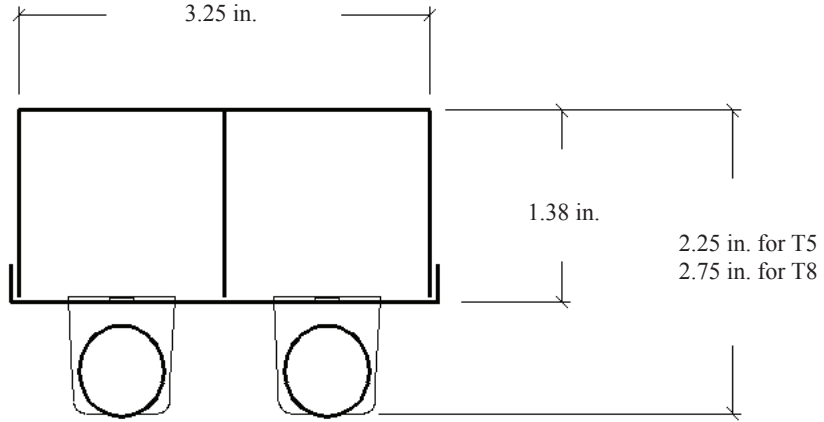
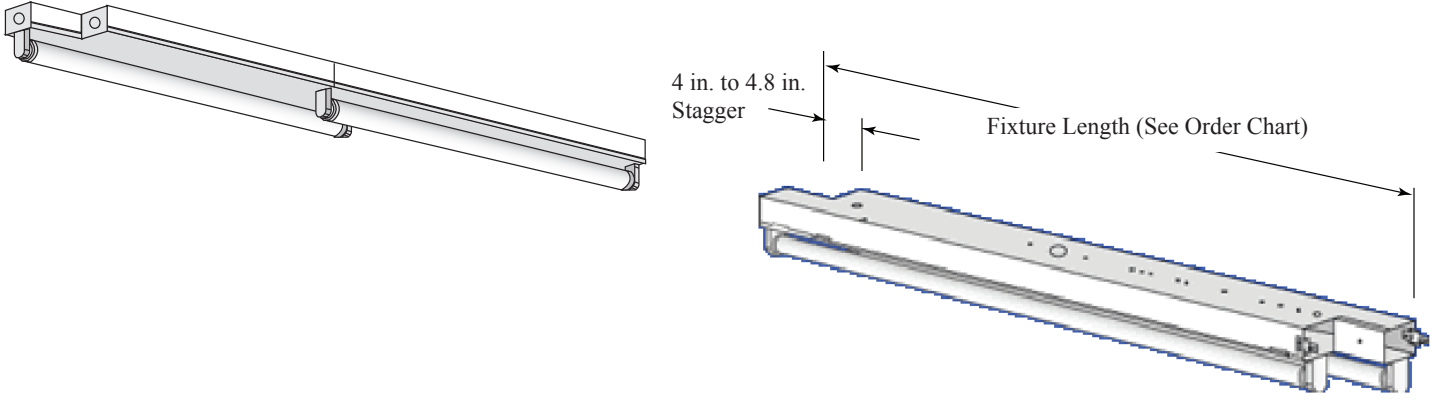
Notes

[1] See end of T02Strip section for many additional lamps, ballasts, finishes, and options.

[2] HiLume and LoLume ballasts available for t8 lamps only.

DIMENSIONS

All dimensions are inches. Specifications subject to change without notice.



T02 STRIP