

CATALOG#:

PROJECT:

TYPE:



Series SS213

Wall Mount, Up & Down Light Rectangular Profile SMARTSENSE

The 213 is a specification grade wall mount for “over the bed” applications, and may also be used in bath, stairwells, and office applications. With optional dividers, front baffles, and dual drivers the up and down light are individually controlled. The rectangular shape provides a clean, crisp profile.

ABOUT SMARTSENSE - Our popular 213 series versatile linear fluorescent or LED fixtures are now available with integral ultrasonic occupancy sensor to sense motion within a space and automatically turns on lights even when the sensor has no direct line of sight to occupants. After the area is vacated and the time delay has elapsed, the sensors automatically turn the lights off. Ultrasonic detection operates by transmitting sound waves throughout an area and measuring the speed at which they return. Movement increases the return frequency, which triggers occupancy. Saylite Ultrasonic smartensors provide functions for testing, overriding the fixture “ON” and a 72 hour lamp burn-in mode.

CONSTRUCTION

Housing is die-formed and embossed code 22 gage steel. Standard finish is high reflectance baked white enamel; custom finishes are available as an option. Wiring knockouts are provided on back of housing. The clear, ribbed lens is fully captured by the end plate. End cap held in place with acorn nut.

MOUNTING

Direct wall mount

TYPICAL OPTIONS & ACCESSORIES

Custom finishes, internal divider, front baffle, pull chains, convenience outlets and emergency battery. Contact factory for more details.

DIMENSIONS

4.50"H x 4.4"W
Available in 24 1/4", 36 1/4"
and 48 1/4" lengths

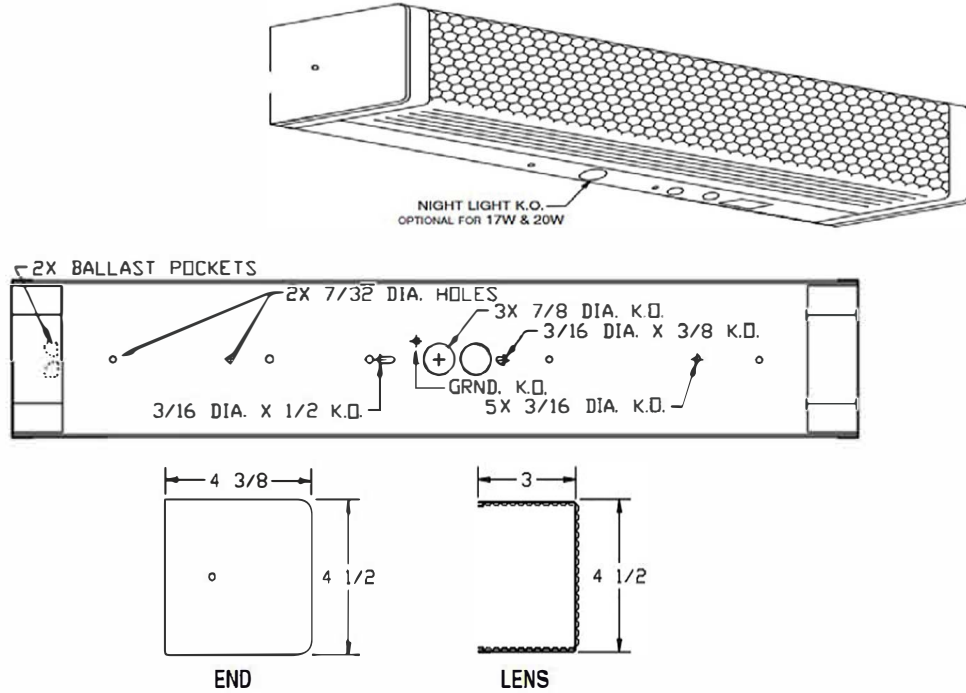
FEATURES & BENEFITS

- Optional front baffle restricts light to up and down only (no front light). Add dual dividers for separate control of up and down light.
- Contact factory for custom night light options.
- Suitable for dry or damp locations
- >50,000 hours of L70 LED life
- CRI>80
- 0-10 Volt dimmable 120-277V
- Power factor 0.99
- 5 year warranty

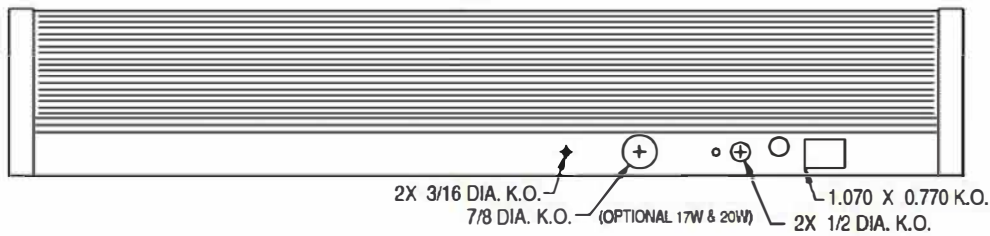


DRAWINGS & IMAGES

Side



Top





Texas Fluorescents
Reinvented

CATALOG#: _____

PROJECT: _____

TYPE: _____

Series SS213

Wall Mount, Up & Down Light
Rectangular Profile
SMARTSENSE

ORDER INFORMATION

24L - Standard

SERIES	LENS MATERIAL	SIZE	WATTAGE & LUMENS	BAFFLE	DRIVER	COLOR
SS213	A Acrylic	24L 24"	E15W2050L 15 Watts 2050 Lumens E24W3000L 24 Watts 3000 Lumens E28W3450L 28 Watts 3450 Lumens _____ * _____ *	Blank DF No Baffle Front Baffle	DMV 0-10V Dimming	30K 3000K 35K 3500K 40K 4000K 50K 5000K

OPTIONS	
SW2	Pull chain, 2 way switching (use with single ballasts)
GCO	Grounded convenience outlet (North American 3 prong)
EM	Emergency ballast, 500 lumens

48L - Standard

SERIES	LENS MATERIAL	SIZE	WATTAGE & LUMENS	BAFFLE	DRIVER	COLOR
SS213	A Acrylic	48L 48"	E30W4100L 30 Watts 4100 Lumens Y40W4000L 40 Watts 4000 Lumens E48W6000L 48 Watts 6000 Lumens E57W6900L 57 Watts 6900 Lumens _____ * _____ *	Blank DF No Baffle Front Baffle	DMV 0-10V Dimming	30K 3000K 35K 3500K 40K 4000K 50K 5000K

OPTIONS	
SW2	Pull chain, 2 way switching (use with single ballasts)
GCO	Grounded convenience outlet (North American 3 prong)
EM	Emergency ballast, 500 lumens

Note:

*Programmable LED drivers allow custom configured wattages and corresponding lumens.

We reserve the right to change design, materials, LED's and finish in any way that will not alter installed appearance or reduce function and performance.



Texas Fluorescents
Reinvented

CATALOG#: _____

PROJECT: _____

TYPE: _____

Series SS213

Wall Mount, Up & Down Light
Rectangular Profile
SMARTSENSE

DLC Listed Items

ITEM NUMBER

- SS213A48LE30W4100LDMV30K-xx
- SS213A48LE48W6000LDMV35K-xx
- SS213A48LE30W4100LDMV40K-xx
- SS213A48LE57W6900LDMV35K-xx
- SS213A48LE30W4100LDMV50K-xx
- SS213A48LE57W6900LDMV50K-xx
- SS213A48LE57W6900LDMV30K-xx
- SS213A48LE48W6000LDMV40K-xx
- SS213A48LE48W6000LDMV30K-xx
- SS213A48LE30W4100LDMV35K-xx
- SS213A48LE57W6900LDMV40K-xx
- SS213A48LE48W6000LDMV50K-xx

