



Texas Fluorescents
Reinvented

CATALOG# : _____

PROJECT : _____

TYPE : _____

Series SLP

LED Low Profile Pendant

Saylite introduces LED low profile Direct/Indirect rectilinear Lighting that can be pendant, surface and wall mounted individually. Ideal for general lighting applications in both commercial and residential applications for circulation spaces, high impact areas and kitchen islands and home offices. The versatility and clean styling makes this an ideal choice in many applications.

CONSTRUCTION

Powder coated white aluminum extrusion with white interior and cast aluminum end plates. The diffuser / lens is a smooth frosted acrylic. Available in 4 and 8 foot nominal lengths.

MOUNTING

Pendant Mount, Surface Mount or Wall
Mount



DIMENSIONS

4ft- 48.00"L x 7.60"W x 1.90"H

8ft- 96.00"L x 7.60"W x 1.90"H

FEATURES & BENEFITS

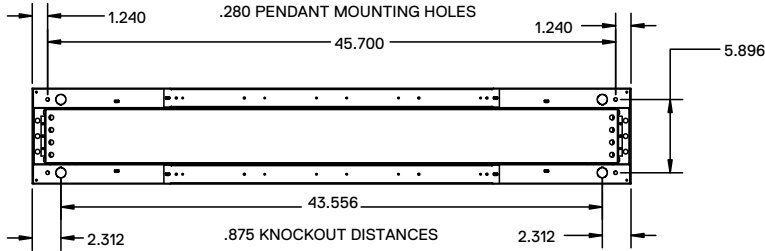
- Available in Pendant, Surface and Wall mount
- Low profile 1.90"H
- Exceptionally well into low ceiling environments
- CRI >80
- >50,000 hrs of L70 LED life
- 0-10V Dimming 120-277V
- Power Factor 0.99
- 5 year warranty



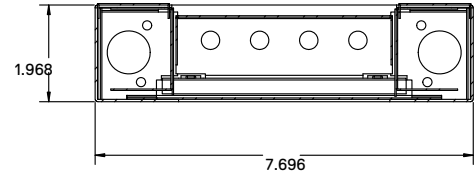
DRAWINGS & IMAGES

4ft - Pendant Mount

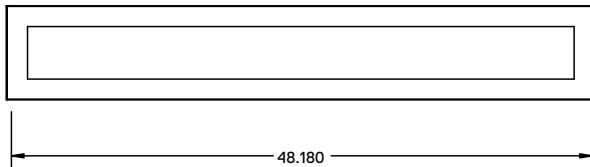
BACK VIEW



END VIEW

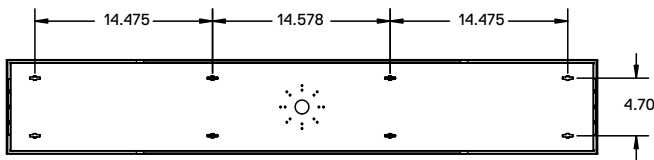


TOP

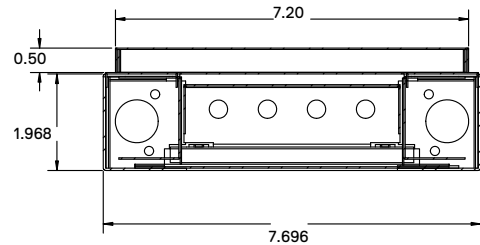


4ft - Surface Mount

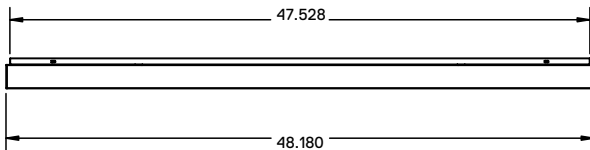
BACK VIEW



END VIEW

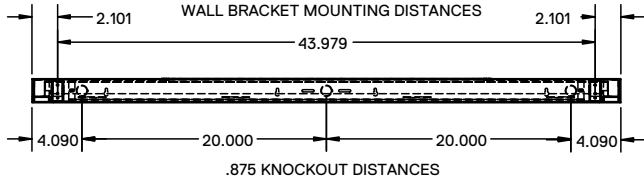


SIDE VIEW

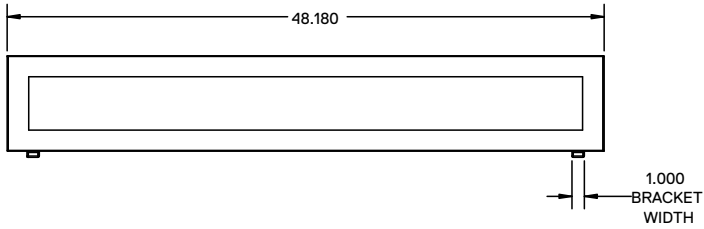


Wall Mount

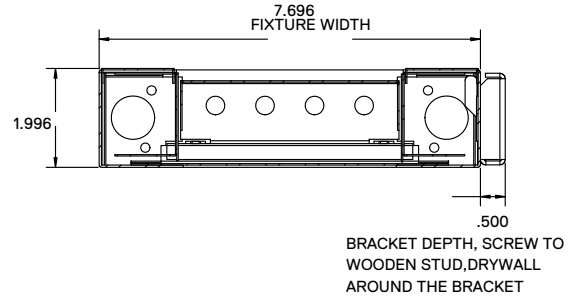
SIDE VIEW



TOP



END VIEW



We reserve the right to change design, materials, LED's and finish in a y way that will not alter installed appearance or reduce function and performance.

ORDER INFORMATION

SERIES	LENS	SIZE	WATTAGE & LUMEN	DRIVER	COLOR	FINISH	
SLP Pendant/ Surface Mount	FR Frosted Lens	48L 48 inch	Down Light Only	S24W2400L 24 Watts 2400 Lumens	DMV 0-10V Dimming Dim to 10%	30K 3000K 35K 3500K	WH White SL Silver
	MW Matt White			S48W4800L 48 Watts 4800 Lumens		D1MV 0-10V Dimming Dim to 1%	40K 4000K 50K 5000K
SLW Wall Mount			Up and Down	US12WD24W Uplight 12 Watts Downlight 24 Watts 3600 Lumens			
SLF Surface Mount <small>(requires surface mount bracket) see installation instructions for details</small>		96L 96 inch	Down Light Only	US18WD36W Uplight 18 Watts Downlight 36 Watts 5400 Lumens			
				S48W4800L 48 Watts 4800 Lumens			
			Up and Down	S96W9600L 96 Watts 9600 Lumens			
				US24WD48W Uplight 24 Watts Downlight 48 Watts 7200 Lumens			
				US36WD72W Uplight 36 Watts Downlight 72 Watts 10800 Lumens			

OPTIONS

- HC4015WWH** Cable kit with 4' cable & 5 wires power feed/cable incl., white cord and white canopy (included power feed and non-power feed)
- HC401WHNPF** Cable kit with 4' cable & white canopy, non power feed (non-power feed only)
- HC4025WWH** Cable kit with 12' cable & 5 wires power feed/cable incl., white cord and white canopy (included power feed and non-power feed)
- HC402WHNPF** Cable kit with 12' cable & white canopy, non power feed (non-power feed only)

Note:
* Programmable LED drivers allow custom configured wattages and corresponding lumens.
We reserve the right to change design, materials, LED's and finish in a way that will not alter installed appearance or reduce function and performance.

SLP-Surface Installation Instructions

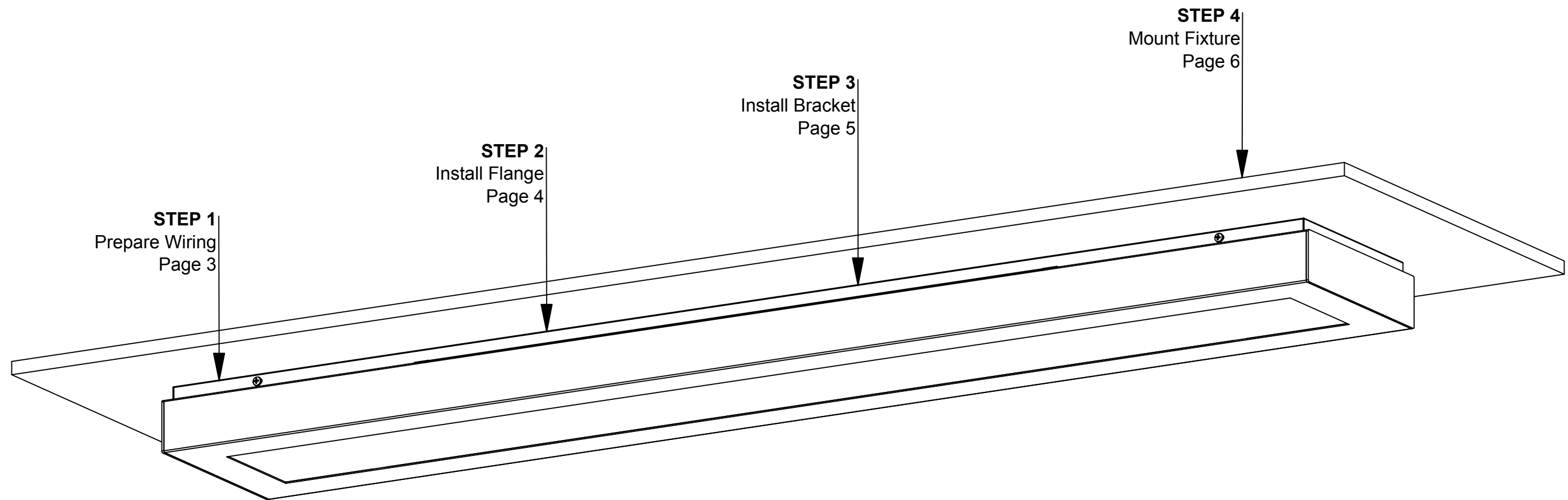
Overview

WARNINGS

- This product must be installed in accordance with all applicable codes by a person familiar with the product.
- Each fixture must be **properly supported** during install.
- **DO NOT** join fixtures on the floor prior to lifting, or damage will occur.
- **Before beginning installation**, review our complete list of warnings by visiting www.saylite.com/warnings.



Texas Fluorescents Reinvented



We believe
in the power
of light.



Your particular build may vary.

2018© Saylite | 2055 Luna Road, Suite 142 Carrollton, Texas 75006 | www.saylite.com

1 of 6

Form BWE - SLP / Surface, V0 10/18

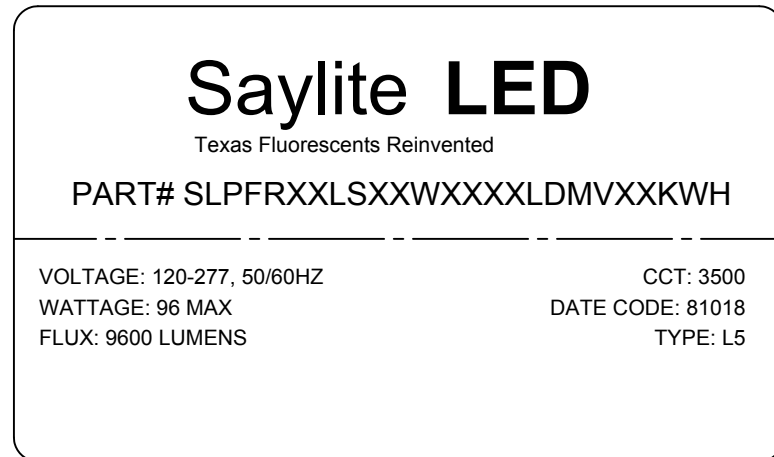
SLP-Surface Installation Instructions

Preparation - Tools/Parts Identification



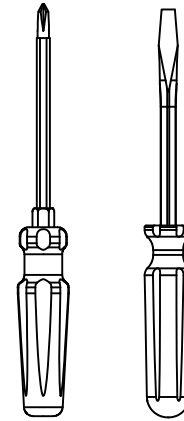
Texas Fluorescents Reinvented

A. Identify Fixtures

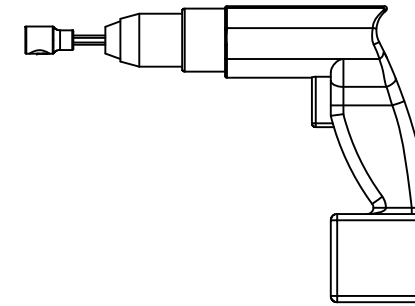


- Use labels found on the box and inside fixture bodies to identify bodies.
- **NOTE:** Locations of labels can vary.
- Remove all fixtures from their boxes.
- Organize fixtures based on their labels at the install location.

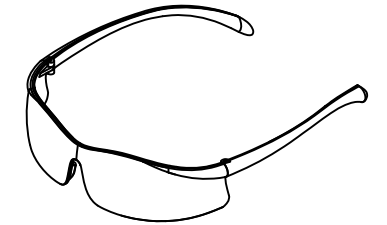
B. Tools Needed



Screwdrivers



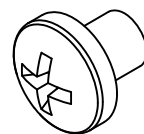
Drill



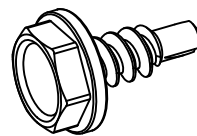
Safety Glasses

- Always use proper safety equipment when installing fixtures.
- Tools shown are recommended for standard install. Tools needed may vary based on actual install location conditions.

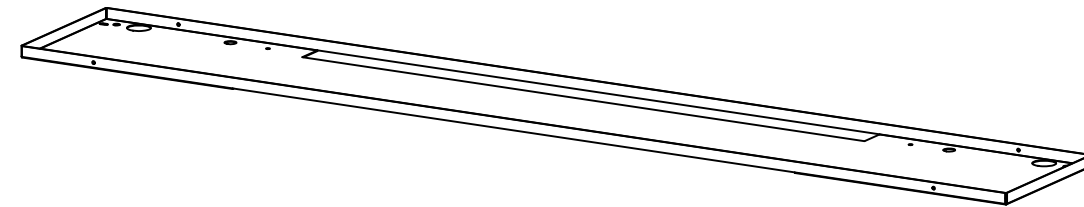
C. Identify Parts



Machine Screw
(By Others)



TEK Screw
(By Others)



SLP Surface Mount Bracket
PN: SLPSMBRKT48IN
SLPSMBRKT96IN

- Read entire install instructions before beginning installation.
- Unpack all components and arrange in order of install steps.
- For help with installation, please contact us at www.saylite.com or call us at (972) 247-3171.

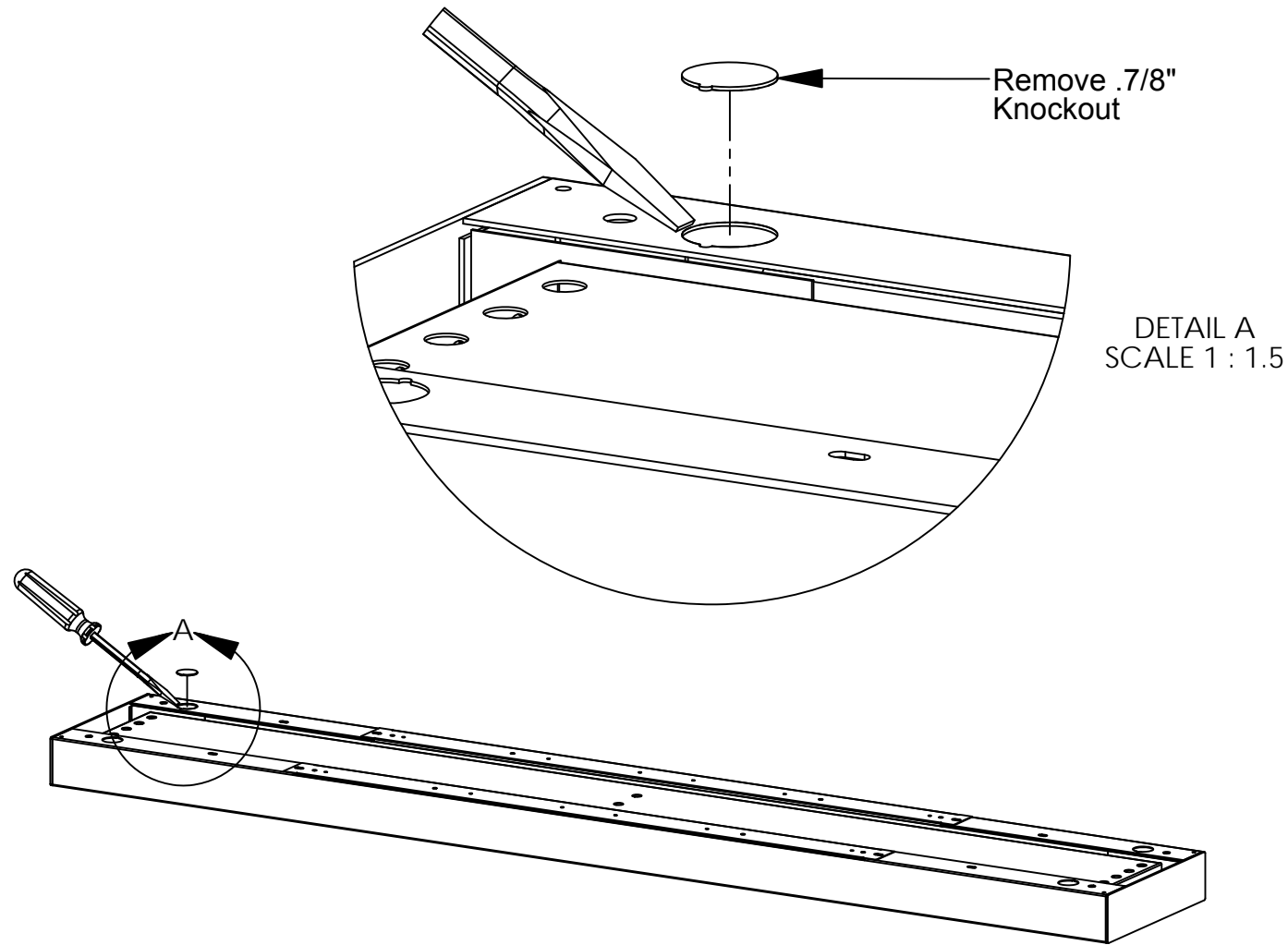
SLP-Surface Installation Instructions

Step 1 - Prepare Wiring



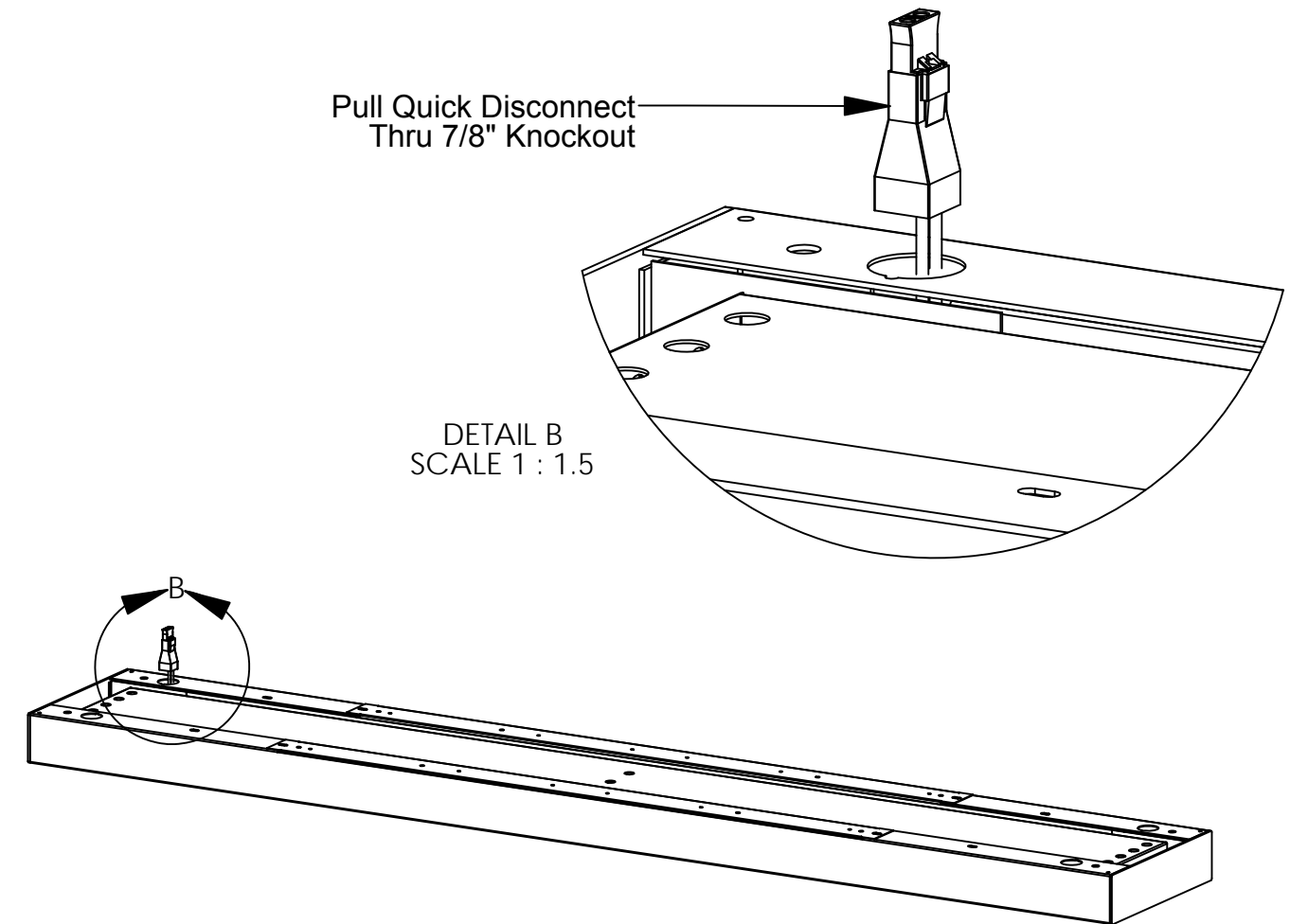
Texas Fluorescents Reinvented

A. Remove Knockout



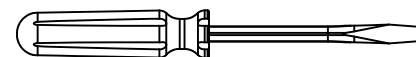
- Using a flat tip screwdriver, pry the knockout from the fixture.

B. Pull Wiring



- Locate the wiring quick disconnect inside the wiring channel.
- Pull the wiring thru the knockout, and leave exposed.

Items Used In This Step



Flat Tip Screwdriver

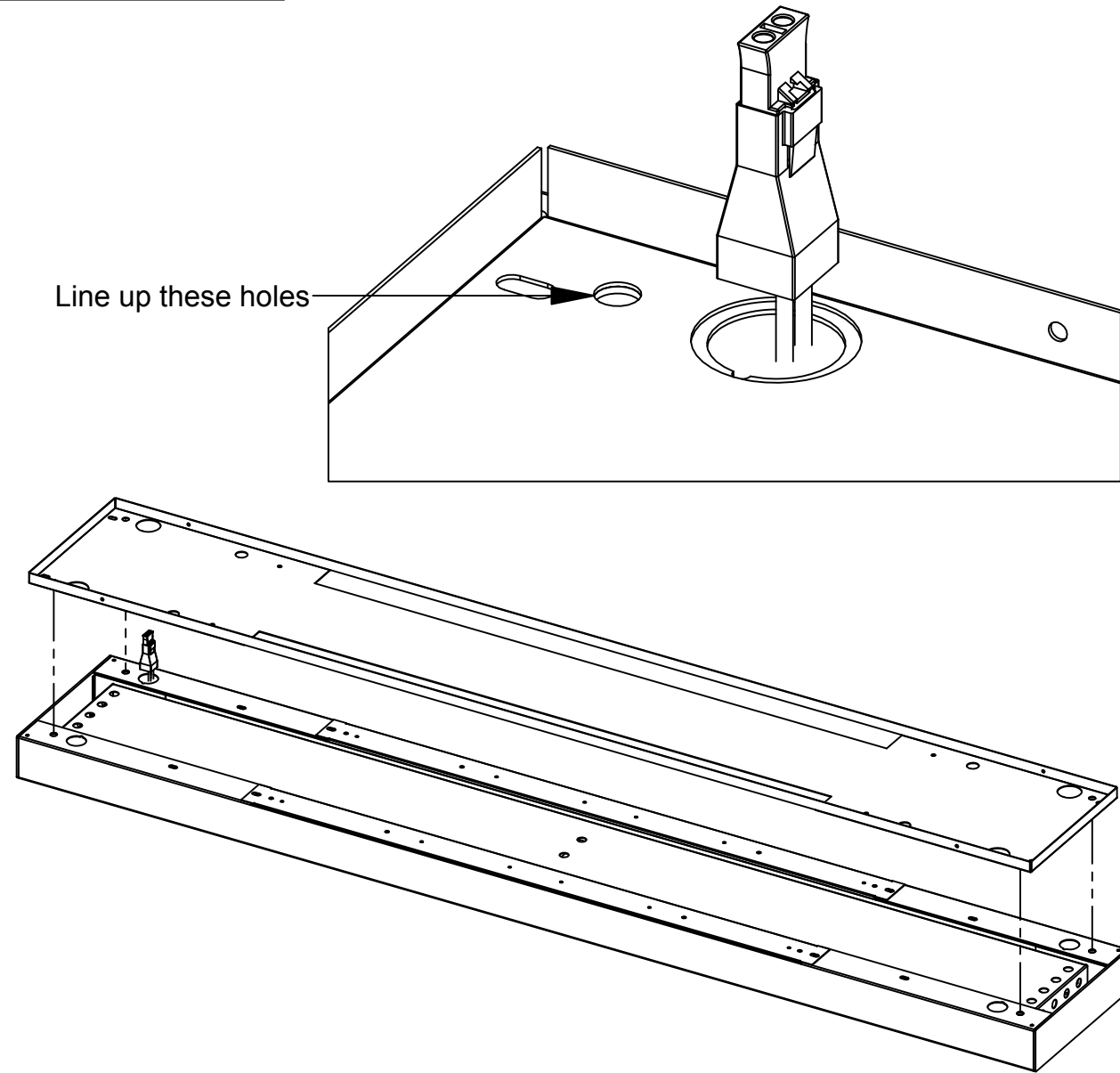
SLP-Surface Installation Instructions

Step 2 - Install Flange



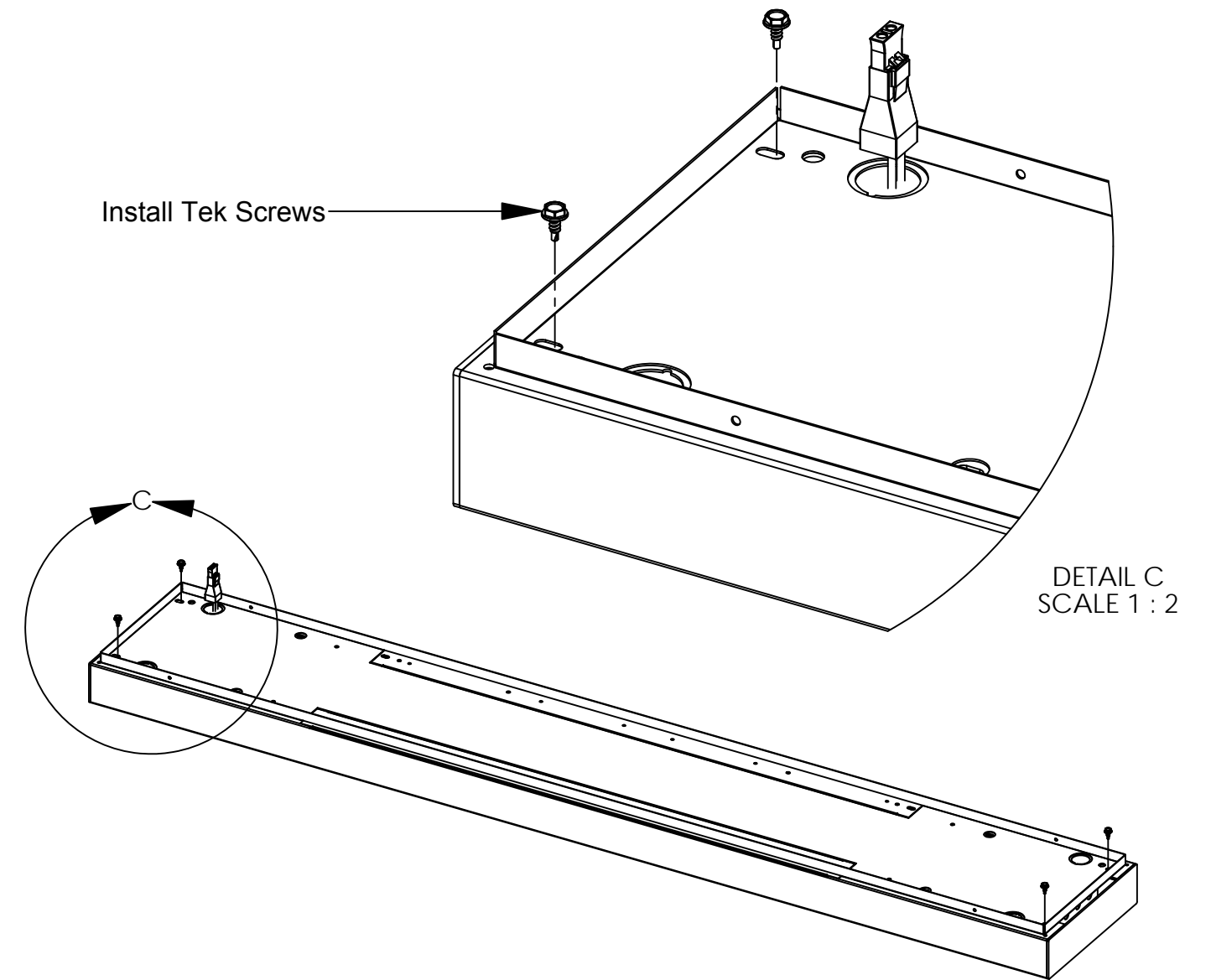
Texas Fluorescents Reinvented

A. Line Up Flange



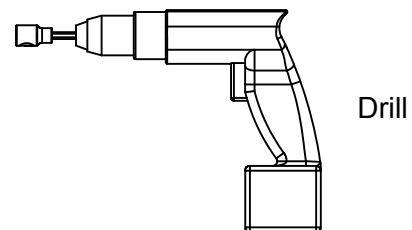
- Line up the mounting flange to the back of the fixture.
- Pull the wiring thru the hole in the mounting flange as shown.
- Use the guide holes shown to ensure proper alignment of the flange. The holes should match up.

B. Secure Flange

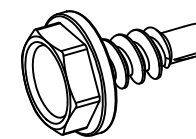


- Secure the mounting flange to the fixture by installing (4) TEK screws to the oblongs shown above.

Items Used In This Step



Drill



TEK Screw
(by others)

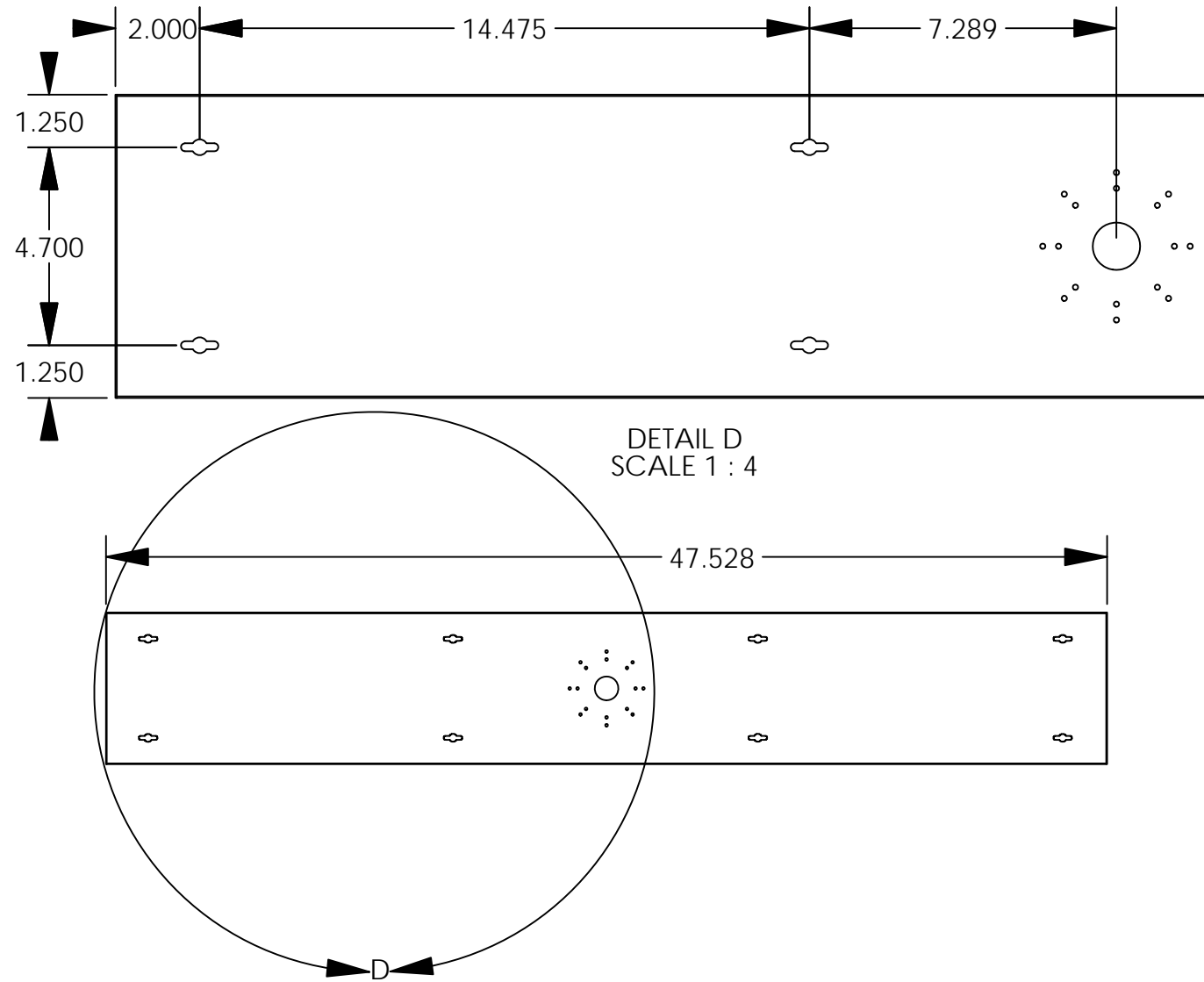
SLP-Surface Installation Instructions

Step 3 - Install Bracket



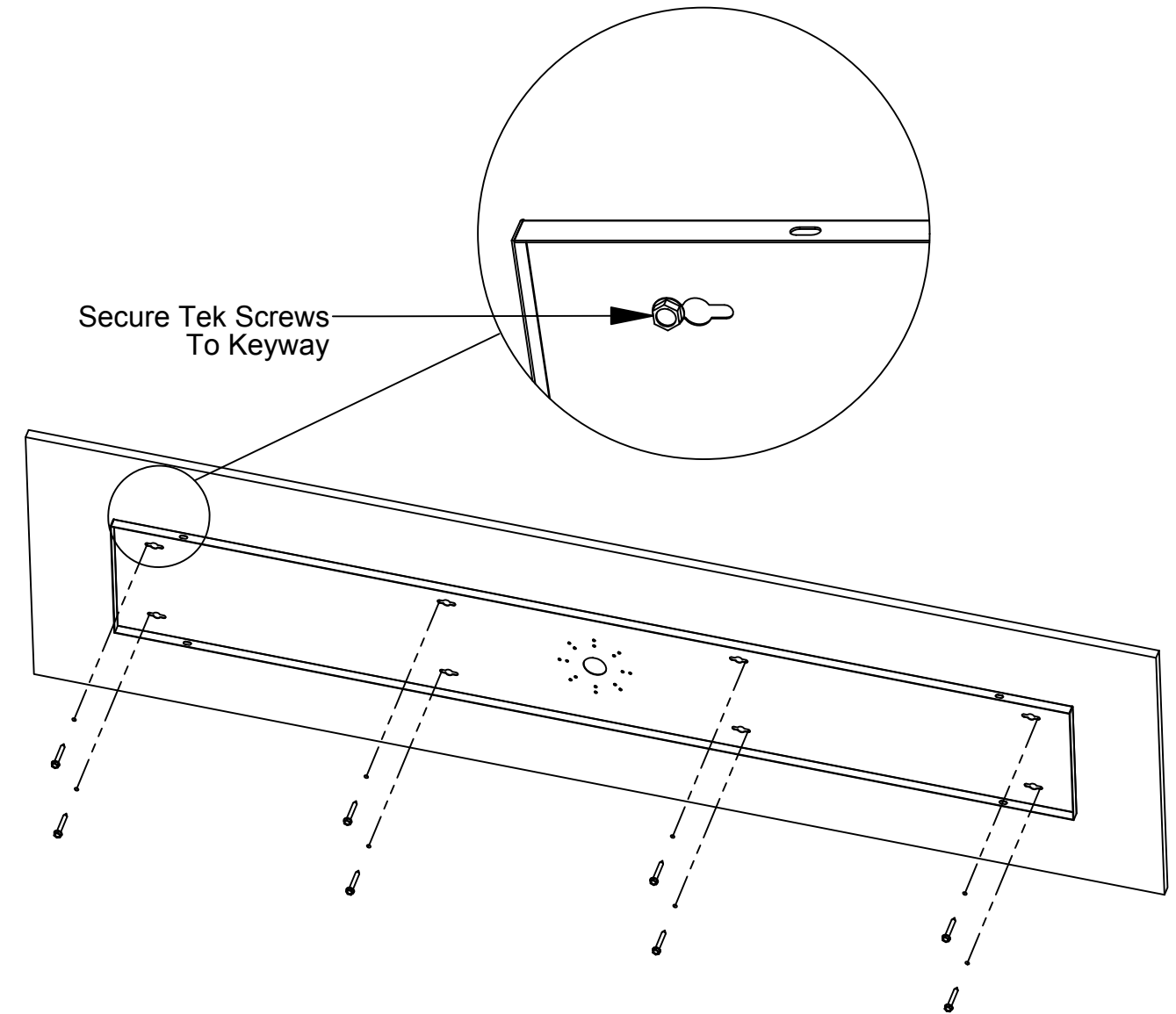
Texas Fluorescents Reinvented

A. Transfer Dimensions



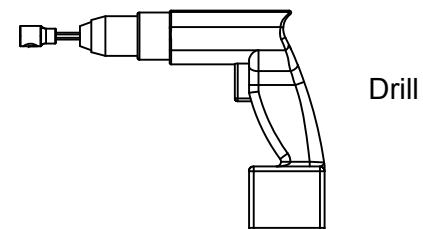
- Transfer the dimensions of the mounting keyways above to the mounting surface.
- **Note:** The dimensions are mirrored on both sides of the mounting bracket.

B. Secure Bracket

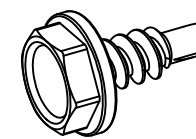


- **Note:** The mounting bracket must be installed to a structurally secure surface.
- **Note:** Additional bracing may be needed before mounting bracket.
- Secure the mounting bracket to the mounting surface as shown.

Items Used In This Step



Drill



TEK Screw
(by others)

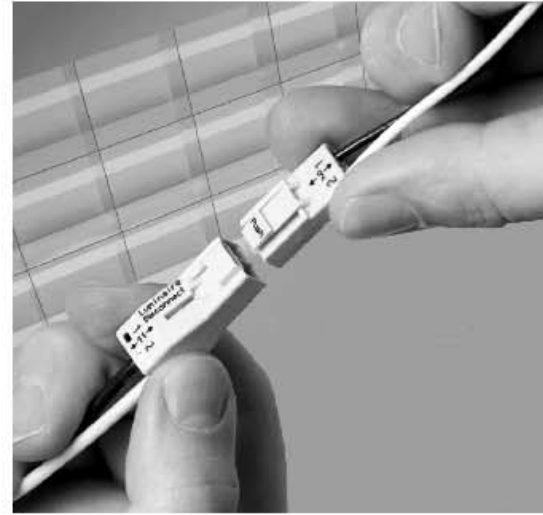
SLP-Surface Installation Instructions

Step 4 - Mount Fixture

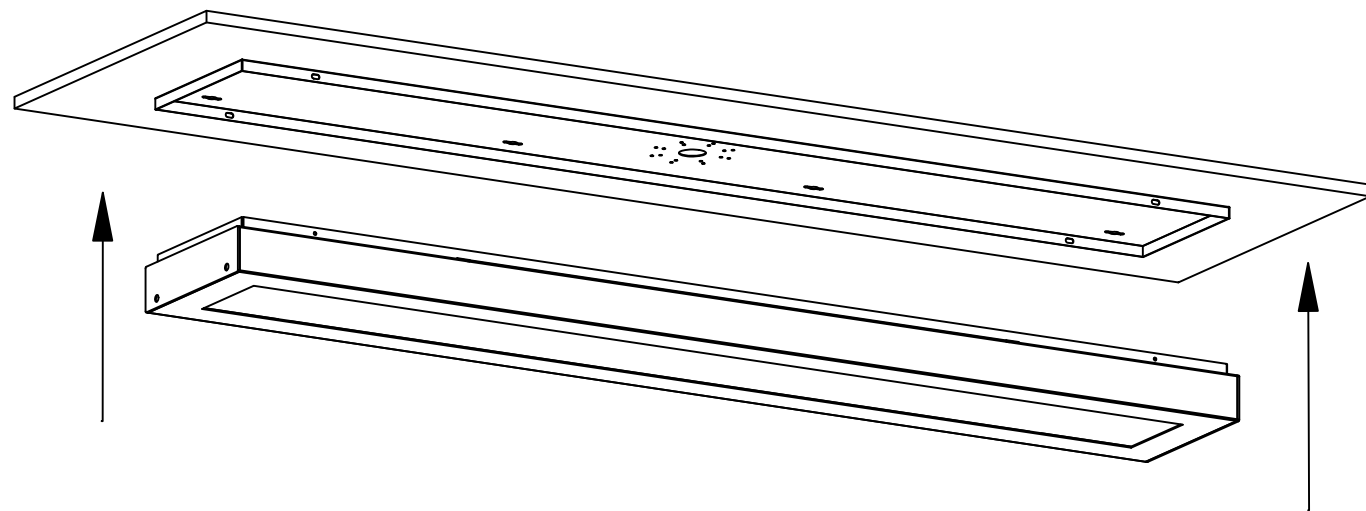


Texas Fluorescents Reinvented

A. Line Up With Bracket

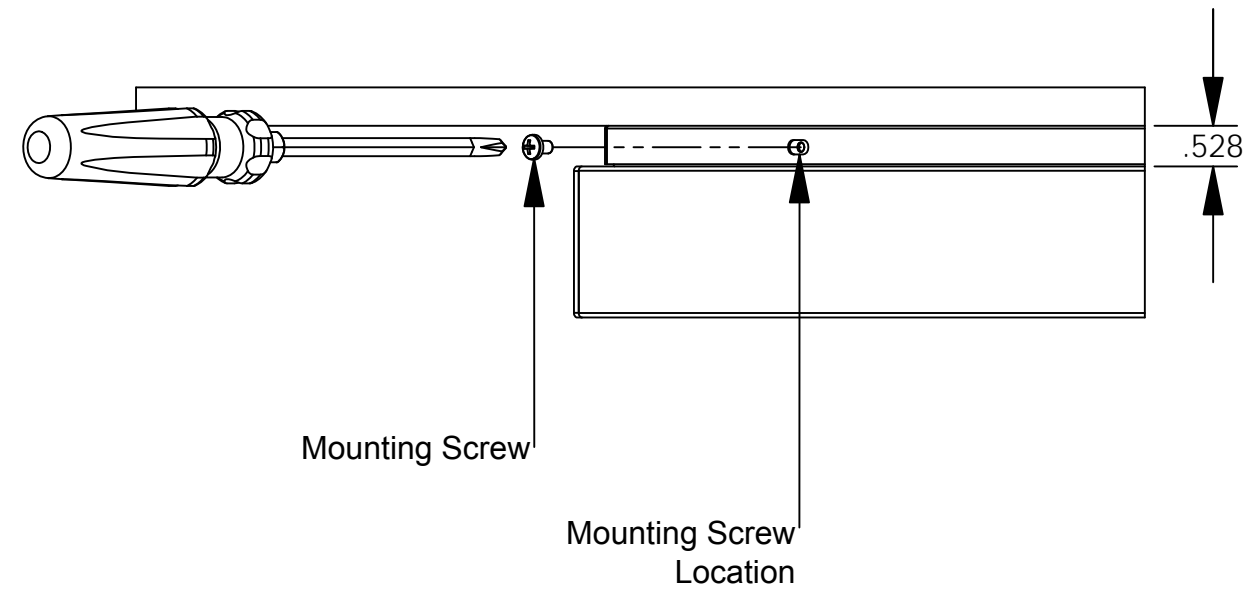


Make Secure Connection



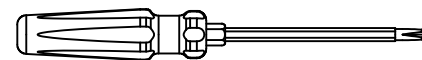
- Using the quick clip, wire the fixture to the incoming following all local, state and national codes.
- Line the fixture up with the installed mounting bracket as shown.

B. Secure Fixture

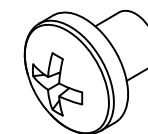


- Using a long screwdriver, install (4) mounting screws around the perimeter of the fixture.
- Test that the fixture is mounted securely.
- Install is now complete.

Items Used In This Step



Phillips Screwdriver



Mounting Screw
(by others)