

Series SE

Narrow Body Strip

Two Lamp



FEATURES & SPECIFICATIONS

INTENDED USE

Narrow body two lamp strip for interior warehouse, retail, and utility areas requiring general illumination in a commercial quality narrow strip configuration. Economical two lamp versions also available

SIZE W x L x H in inches (mm)

2.75W x 1.80H (70 x 45)

Fixture length = lamp(s) length

MATERIALS & FEATURES

Housing is die-formed and embossed code 22 gage steel. Finish is high reflectance baked white enamel. Wiring knockouts are provided on back, side, and end of housing. Ballast covers or reflectors attach without tools to simplify ballast access.

- W3x, economical white steel reflectors, for abusive locations
Two styles: symmetric and asymmetric
- W2x, premium full specular (mirrored) reflectors, for maximum efficiency
- W1x, high reflectance white aluminum reflectors, combine economy and efficiency

ORDERING INFORMATION

SE	2	32		E120
Series SE Narrow Body Strip, two lamp, with or without Reflectors			Reflectors [2] Blank Electronic, 120V W3 0 White Steel reflector Standard Mount W3 5 White Steel reflector Asymmetric M2 0 Mirrored reflector Standard Mount W1 0 White Aluminum reflector Standard Mount	Ballast & Voltage [1] E120 Electronic, 120V E277 Electronic, 277V MV Electronic, Multivolt (120-277) H120 [3] Electronic, 120V, Hi-Lume H277 [3] Electronic, 277V, Hi-Lume HMV [3] Electronic, Multivolt, Hi-Lume L120 [3] Electronic, 120V, Lo-Lume L277 [3] Electronic, 277V, Lo-Lume LMV [3] Electronic, Multivolt, Lo-Lume S Residential 120V Ballast
Lamp Count Lamp Type [1]				Options [1] WP 6 ft. 3 wire 18 gauge whip WP10 6 ft. 4 wire 18 gauge whip EM Emergency ballast, 500 lumens EM14 Emergency ballast, 1400 lumens D Ballast Disconnect
2	15	18 in. T8		
2	17	24 in. T8		
2	25	36 in. T8		
2	32	48 in. T8		
2	40	60 in. T8		
2	14	22 in. T5 [4]		
2	21	34 in. T5 [4]		
2	28	46 in. T5 [4]		
2	24	22 in. T5HO [4]		
2	39	34 in. T5HO [4]		
2	54	46 in. T5HO [4]		

Notes

- [1] See end of T02Strip section for many additional lamps, ballasts, finishes, and options.
 [2] Custom reflectors available to create any light distribution.
 [3] HiLume and LoLume ballasts available for T8 lamps only.
 [4] T5 & T5HO S body strips are full 24/36/48/96in length. See KDS series for shorter strips.

EM14 ballast required for T5HO lamps

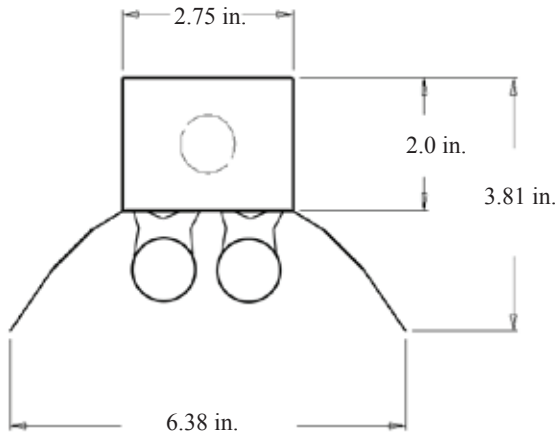
DIMENSIONS

All dimensions are inches. Specifications subject to change without notice.



All SE series strips are full 18 in.
2, 3, 4, or 5 ft. lengths (incl T5 & T5HO)

Style 0



Style 2

