

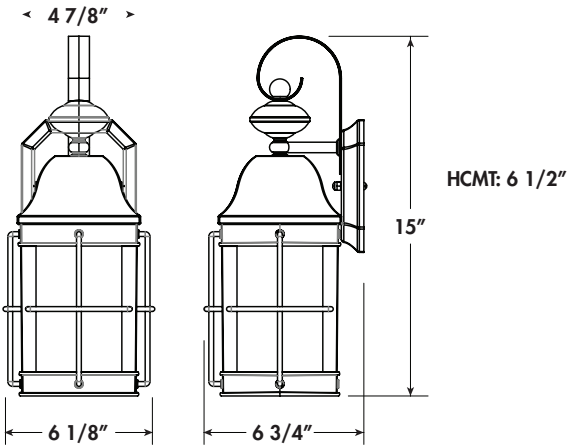
### FEATURES & SPECIFICATIONS

#### MATERIALS & FEATURES

- Wall Mount
- UL Listed for Wet Locations
- Molded of Durable Non-Corrosive UV Resistant Resins
- Available in LED, Incandescent & GU24

#### SIZE W x H x D (inch)

4.125"W x 15"H x 6.75"D



RoHS  
compliant

### ORDERING INFORMATION

Example: SCWL13W1000LD12040KBZ

Series	Wattage and Lumen	Driver	Kelvin Temperature	Finish
<b>SCWL</b> Stagecoach LED Lantern	<b>13W1000L</b> 13 System Watts, 1000 Delivered Lumens	<b>D120</b> 120V Dimmable Driver	<b>30K</b> 3000K <b>40K</b> 4000K	<b>BZ</b> White Black Bronze
<b>SCWL</b> Stagecoach Lantern Incandescent LED Lamp	<b>INCLPLED</b> Incandescent socket & LED Lamp 9.5W A19 27K inc	<b>D120</b> 120V Dimmable Driver	<b>27K</b> 2700K	<b>WH</b> White <b>BK</b> Black <b>BZ</b> Bronze

Catalog Number:
Notes: