

# Series RRS

## High Output Multi-Function LED Strips

This High Output Multi-Function LED strip offers a family of three different strips to meet a variety of applications in warehouses, retail and utility areas. Available in a cost effective and high output open strip version, a specially designed LED frosted lens version and a narrow focused reflector version. Each version is ideal for different applications and together make a perfect family of products for many industrial and back of house commercial applications. These fixtures can be surface or pendant mounted. Driver box hinges open for easy access to the driver without removing the lens or reflector. Consult for different finishes and different sizes.

### CONSTRUCTION

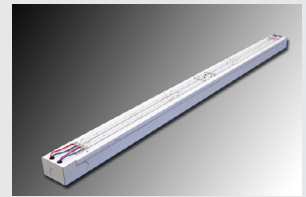
Housing is die-formed and embossed code 22 gauge steel. Finish is high reflectance baked white enamel. Wiring knockouts are provided on back and end of housing. Ballast cover, reflector or lens attach without tools with hinged construction to simplify ballast access.

### MOUNTING

Surface mount, chain hung, double stem.



Narrow Reflector



Open Strip



Frosted Lensed

### DIMENSIONS

#### Frosted Lens

48L – 48"L x 2.925"W x 3.395"H

96L – 96"L x 2.925"W x 3.395"H

#### White Reflector

48L – 48"L x 4.70"W x 6.20"H

96L – 96"L x 4.70"W x 6.20"H

#### Open

48L – 48"L x 2.925"W x 1.778"H

96L – 96"L x 2.925"W x 1.778"H

### FEATURES & BENEFITS

- 3 types of fixtures with one look: open, reflector and lensed
- Ideal for warehouse and back of house applications
- Reflector version is ideal for aisle lighting
- Easy to join for continuous run applications. Consult to add wiring harness
- Optional sensors and emergency drivers available
- 50,000 hours life to L70
- >80 CRI
- Consult for different finishes, asymmetrical reflector and special lengths
- 5 year warranty



Intertek

REV 09/09/2020



CATALOG# : \_\_\_\_\_  
 PROJECT : \_\_\_\_\_  
 TYPE : \_\_\_\_\_

# Series RRS

High Output Multi-Function LED Strips

## ORDER INFORMATION

ITEM NUMBER	DESCRIPTION
RRSFR48LE28W2700LDMV40K	48"L x 2.925"W x 3.395"H / Frosted Lens/ 28W, 2700L / 0-10V Dim / 4000K
RRSFR48LE48W4600LDMV40K	48"L x 2.925"W x 3.395"H / Frosted Lens/ 48W, 4600L / 0-10V Dim / 4000K
RRSFR48LE57W5400LDMV40K	48"L x 2.925"W x 3.395"H / Frosted Lens/ 57W, 5400L / 0-10V Dim / 4000K
RRSFR96LE57W5400LDMV40K	96"L x 2.925"W x 3.395"H / Frosted Lens/ 57W, 5400L / 0-10V Dim / 4000K
RRSFR96LE96W9200LDMV40K	96"L x 2.925"W x 3.395"H / Frosted Lens/ 96W, 9200L / 0-10V Dim / 4000K
RRSFR96LE114W10400LDMV40K	96"L x 2.925"W x 3.395"H / Frosted Lens/ 114W, 10400L / 0-10V Dim / 4000K
RRS48LE28W4600LW30DMV40K	48"L x 4.70"W x 6.20"H / White Reflector/ 28W, 4600L / 0-10V Dim / 4000K
RRS48LE48W5650LW30DMV40K	48"L x 4.70"W x 6.20"H / White Reflector/48W, 5650L / 0-10V Dim / 4000K
RRS48LE57W6400LW30DMV40K	48"L x 4.70"W x 6.20"H / White Reflector/ 57W, 6400L / 0-10V Dim / 4000K
RRS96LE57W6400LW30DMV40K	96"L x 4.70"W x 6.20"H / White Reflector/ 57W, 6400L / 0-10V Dim / 4000K
RRS96LE96W11300LW30DMV40K	96"L x 4.70"W x 6.20"H / White Reflector/ 96W, 11300L / 0-10V Dim / 4000K
RRS96LE114W12800LW30DMV40K	96"L x 4.70"W x 6.20"H / White Reflector/ 114W, 12800L / 0-10V Dim / 4000K
RRS48LE28W4300LDMV40K	48"L x 2.925"W x 1.778"H / Open/ 28W, 4300L / 0-10V Dim / 4000K
RRS48LE48W7000LDMV40K	48"L x 2.925"W x 1.778"H / Open/ 48W, 7000L / 0-10V Dim / 4000K
RRS48LE57W8000LDMV40K	48"L x 2.925"W x 1.778"H / Open/ 57W, 8000L / 0-10V Dim / 4000K
RRS96LE57W8000LDMV40K	96"L x 2.925"W x 1.778"H / Open/ 57W, 8000L / 0-10V Dim / 4000K
RRS96LE96W12000LDMV40K	96"L x 2.925"W x 1.778"H / Open/ 96W, 12000L / 0-10V Dim / 4000K
RRS96LE114W13800LDMV40K	96"L x 2.925"W x 1.778"H / Open/ 114W, 13800L / 0-10V Dim / 4000K

**Note:**

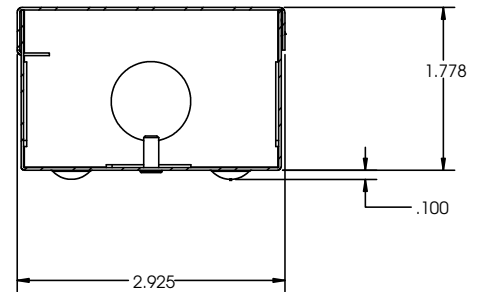
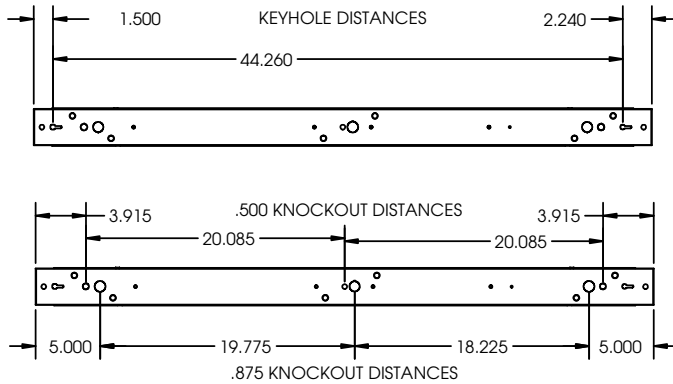
\*Programmable LED drivers allow custom configured wattages and corresponding lumens.

\*\* Consult factory for 90CRI availability.

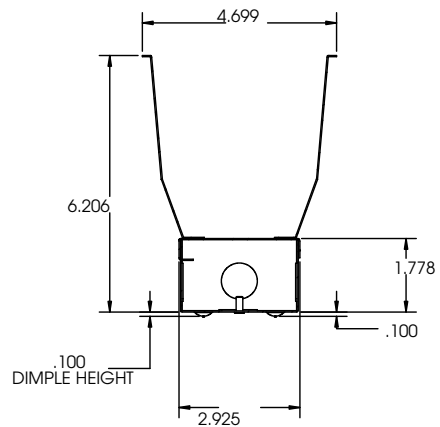
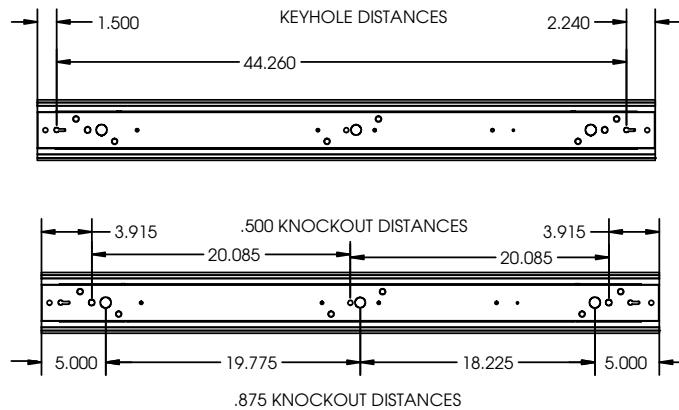
We reserve the right to change design, materials, LEDs and finish in any way that will not alter installed appearance or reduce function and performance.

### DRAWINGS & IMAGES

#### Open Strip



#### Reflector



#### Lens

