

# RH16LED

Indoor High Performance  
MR16 LED Remote Head



## ILLUMINATION

- Long lasting, efficient ultra bright white LED lamp heads.
- Adjustable 3.3W lamp heads increase center-to-center spacing.

## ELECTRICAL

- Powered from low voltage power source with low voltage wiring (not provided).

## MOUNTING

- Universal mounting base plate included with mounting hardware.
- Distance of maximum run is determined by system voltage, wire gauge and total maximum wattage on the run.
- Suitable for wall or ceiling mount.

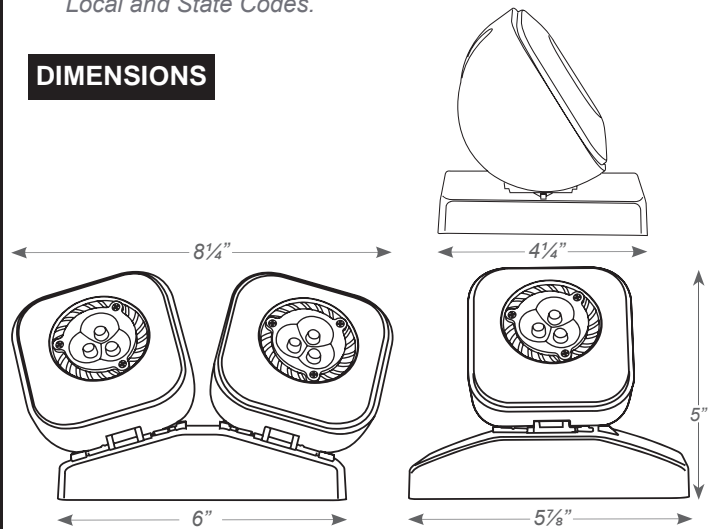
## HOUSING

- Injection-molded, engineering grade, 5VA flame retardant, high-impact resistant, thermoplastic in white or black finish.

## WARRANTY / LISTING

- Five year warranty.
- Meets UL924, NFPA 101 Life Safety Code, NEC, OSHA, Local and State Codes.

## DIMENSIONS



## FIXTURE COMPATIBILITY

Reference individual unit equipment specification sheets for remote load capacity availability.

BEST LIGHTING MODEL TYPE			
LEDTFX-2	R-5HO	TFX-2	EZXTE-RC
LEDCADXR	R-16-HO	NYDXR	CLPU-RC
RMR-16-65/125	DXR	CXTEU-RC	CALEDCXTE
	LEDCXTEU-RC	LEDR5-HO	

## ORDERING INFORMATION

Sample Part Number: **RH16LED-1-MV**

MODEL	No. of HEADS	COLOR	VOLTAGE
RH16LED	1 Single Head	Blank White	MV For use with 3.6V, 6V, 9.6V or 12V batteries
	2 Double Head	B Black	

t