

CATALOG#: _____

PROJECT: _____

TYPE: _____

RH

Indoor Incandescent Remote Heads



ILLUMINATION

- Smooth thermoplastic reflector with plastic lens for optimal light distribution.
- Adjustable lamp heads with 6V and 12V wedge base incandescent lamps provides increased center-to-center spacing.

ELECTRICAL

- Powered from low voltage power source with low voltage wiring (not provided).

MOUNTING

- Universal mounting base plate included with mounting hardware.
- Distance of maximum run is determined by system voltage, wire gauge and total maximum wattage on the run.
- Suitable for wall or ceiling mount.

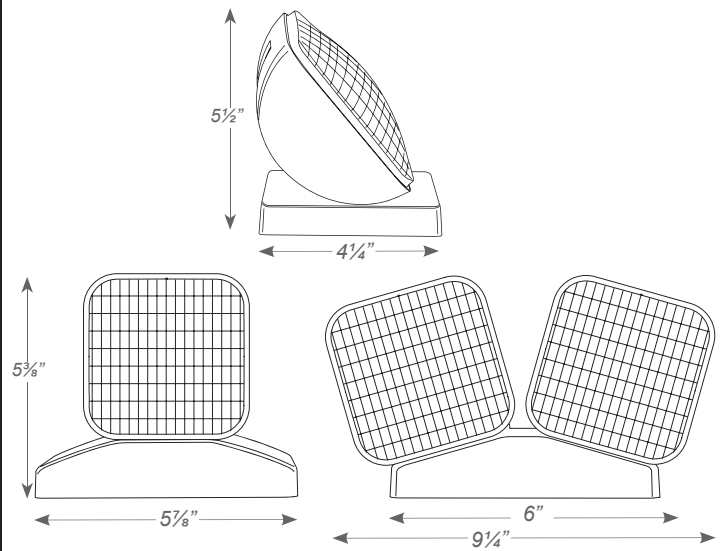
HOUSING

- Injection-molded, engineering grade, 5VA flame retardant, high-impact resistant, thermoplastic in white or black finish.

WARRANTY / LISTING

- Five year warranty.

DIMENSIONS



FIXTURE COMPATIBILITY

Reference individual unit equipment specification sheets for remote load capacity availability.

MODEL TYPE	6V	12V	MODEL TYPE	6V	12V
NYDXR-50		X	TFX-2	X	
RMR-16-65	X		NYDXR-27	X	
RMR-16-125		X	EZXTE-RC	X	
R-5HO	X		CXTE-RC	X	
R-16-HO	X		DXR-125/1210		X
DXR-65/610	X		CALEDXTE	X	
LEDCADXR	X				

ORDERING INFORMATION

Sample Part Number: **RH-1-6V5.4W**

MODEL	No. of HEADS	COLOR	VOLTAGE	WATTAGE ¹
RH	1 Single Head	Blank White	6V For use with 6V batteries	5.4W ²
	2 Double Head	B Black	12V For use with 12V batteries	7.2W 9.0W 12.0W

¹ Wattage rating stated per head.

² Available in 6V units only.