

RELZXTE

Recessed Aluminum LED Edgelit Exit Sign



STANDARD



OPTIONAL



ILLUMINATION

- Ultra bright, energy efficient, long life Red or Green LED.
- UV-stabilized ultra-clear acrylic edgelit panel provides consistent, uniform illumination.
- Double face utilizes factory installed silver or white mylar background panel.

ELECTRICAL

- Dual 120/277 voltage standard. Optional multi-tap 208/220/240 voltage available.
- Charge rate/power "ON" LED indicator light and push-to-test switch for mandated code compliance testing.
- 4.8V long life, maintenance-free, rechargeable NiCd battery.
- Internal solid-state transfer switch automatically connects the internal battery to LED board for minimum 90-minute emergency illumination.
- Fully automatic solid-state, two rate charger initiates battery charging to recharge a discharged battery in 24 hours.

MOUNTING

- Compatible with drywall or drop ceiling mount installations. Bar hangers included.
- Wall mount capability optional.

HOUSING

- Premium-grade, extruded aluminum housing.
- Extruded aluminum trim assembly is easily detachable from below, providing accessibility for service or maintenance. Available in black or white powder-coated finishes.
- Self-adhesive chevron appliques and guide template provided for directional indication.

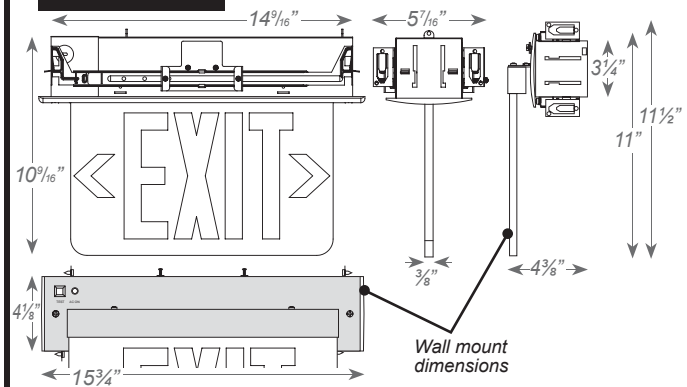
OPTIONS

- SDT: Self-diagnostic feature performs monthly, biannual, and annual tests to ensure reliable operation and meet electrical and life safety codes.
- 2C: Dual circuit option on the AC-only unit enables it to be connected to two different (one acting as a back-up to the other) supplies at the same time.
- Custom: Signs available with requested 'special' wording.
- USA: Substantial transformation assembly in the U.S. complies with "Assembled in the USA" under the Buy American Act.
- SPV: UL Listed for special voltage option.
- WM: Allows for the unit to be wall recessed mounted.

WARRANTY / LISTING

- Five year warranty on all electronics and housing. Battery pro rated for five years.
- Meets UL924, NFPA 101 Life Safety Code, NEC, OSHA, Local and State Codes.
- UL Listed for damp locations (0°C – 50°C).

DIMENSIONS



ORDERING INFORMATION

Sample Part Number: **RELZXTE-1-R-C-W-EM-USA**

MODEL	No. of FACES	LETTER	PANEL	TRIM PLATE	BATTERY	OPTIONS
RELZXTE	1	Single Face	R Red	C Clear ¹	W White	Blank AC Only
	2	Double Face	G Green	M Mirror	B Black	EM Battery Backup
				W White	A Aluminum	
						Custom Custom Wording
						USA Assembled in USA
						SDT Self-diagnostics ³
						2C Dual circuit ⁴
						SPV 208/220/240 Volt, 50/60Hz ²
						WM Wall Mount ¹

Notes:

CATALOG#: _____

PROJECT: _____

TYPE: _____

RELZXTE

Recessed Aluminum LED Edgelit
Exit Sign

ELECTRICAL INFORMATION

CATALOG NUMBER	INPUT WATTS (W)					INPUT AMPS (A)				
	120V	277V	208V	220V	240V	120V	277V	208V	220V	240V
RELZXTE/EM/SPV	3.6	4.0	4.01	4.07	4.21	0.030	0.020	0.023	0.022	0.021
RELZXTE/SDT/2C	3.6	4.0	-	-	-	0.030	0.020	-	-	-