

# R1 Series

## Incandescent Emergency Unit



### STANDARD

### OPTIONAL



### ILLUMINATION

- Two fully adjustable 5.4W glare-free lamp heads.
- Smooth thermoplastic reflector and plastic lens for optimal light distribution.

### ELECTRICAL

- Dual 120/277 voltage.
- Charge rate/power "ON" LED indicator light and push-to-test switch for mandated code compliance testing.
- LVD (low voltage disconnect) prevents battery from deep discharge.
- 6V maintenance-free, rechargeable sealed lead acid battery.
- Internal solid-state transfer switch automatically connects the internal battery to lamp heads for minimum 90-minute emergency illumination.
- Fully automatic solid-state, two rate charger initiates battery charging to recharge a discharged battery in 24 hours.

### MOUNTING

- Surface mount via easy connect back plate, which fits most standard junction boxes and snaps into place making internal electrical connections.
- Top and back K/O available for conduit application.
- Suitable for wall mount.

### HOUSING

- Injection-molded, engineering grade, 5VA flame retardant, high-impact resistant, thermoplastic in white or black finish.

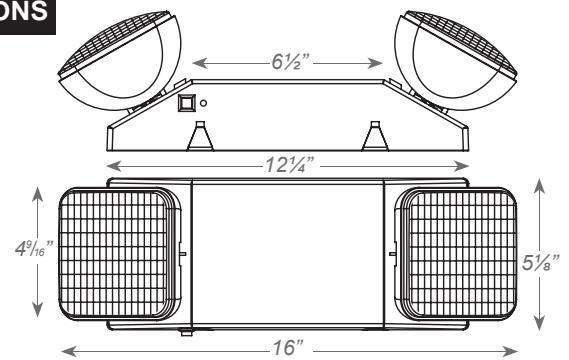
### OPTIONS

- SDT: Self-diagnostic feature performs monthly, biannual, and annual tests to ensure reliable operation and meet electrical and life safety codes.
- HTR: Optional internal heater for cold temperature applications.
- USA: Substantial transformation assembly in the U.S. complies with "Assembled in the USA" under the Buy American Act.
- NC: Long life 6V maintenance-free, rechargeable NiCD battery.
- cULus: Units tested to meet requirements of CAN/CSA-c22.2 No. 141-02 standard for unit equipment.

### WARRANTY / LISTING

- Five year warranty on all electronics and housing. Batteries pro rated for two years.
- Meets UL924, NFPA 101 Life Safety Code, NEC, OSHA, Local and State Codes.
- UL Listed for damp locations (20°C – 50°C).

### DIMENSIONS



### ORDERING INFORMATION

Special voltage options available. Check with your Best Lighting Representative.

MODEL	HOUSING COLOR		OPTIONS	
R-1	Blank	White	SDT	Self-diagnostics
	B	Black	NC	NiCad Battery
			HTR	Internal Heater
			USA	Assembled in USA
			cULus	cULus Listed

Sample Part Number: R-1

CATALOG#: \_\_\_\_\_

PROJECT: \_\_\_\_\_

TYPE: \_\_\_\_\_

# R1 Series

Incandescent  
Emergency Unit

## ELECTRICAL INFORMATION

CATALOG NUMBER	INPUT WATTS (W)		INPUT AMPS (A)	
	120V	277V	120V	277V
R-1	4.0	5.0	0.040	0.020
R-1SDT	4.5	4.5	0.040	0.030