

PLELRXTEU Series

Thermoplastic LED Edgelit Exit Sign



STANDARD



OPTIONAL

ILLUMINATION

- Ultra bright, energy efficient, long life Red or Green LED.
- UV-stabilized ultra-clear acrylic edgelit panel provides consistent, uniform illumination.
- Double face utilizes factory installed silver or white mylar background panel.

ELECTRICAL

- Dual 120/277 voltage standard. Optional multi-tap 208/220/240V available.
- Unique bi-color LED indicator light alerts occupant on battery condition (Green-normal, Red-check battery).
- Push-to-test switch for mandated code compliance testing.
- 4.8V long life maintenance-free, rechargeable NiCd battery.
- Internal solid-state transfer switch automatically connects the internal battery to LED board for minimum 90-minute emergency illumination.
- Fully automatic solid-state, two rate charger initiates battery charging to recharge a discharged battery in 24 hours.

MOUNTING

- EZ-snap mounting canopy included for top, end or back mount.

HOUSING

- Injection-molded, engineering grade 5VA, flame retardant, high-impact resistant thermoplastic housing in white or black finish.
- Self-adhesive chevron appliques and guide template provided for directional indication.

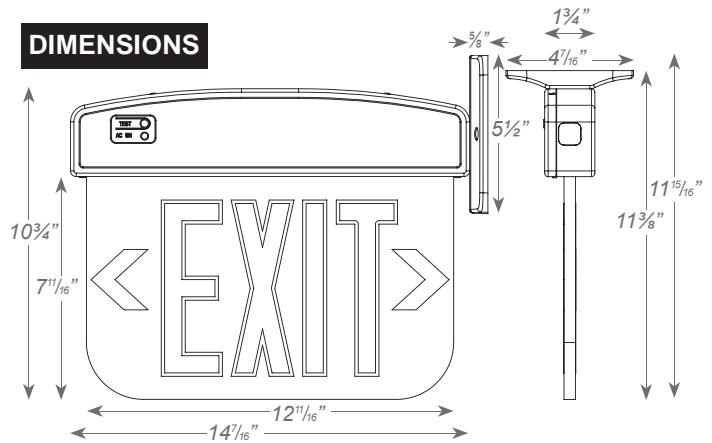
OPTIONS

- Custom: Signs available with requested 'special' wording.
- SDT: Self-diagnostic feature performs monthly, biannual, and annual tests to ensure reliable operation and meet electrical and life safety codes.
- 2C: Dual circuit option on the AC-only unit enables it to be connected to two different (one acting as a back-up to the other) supplies at the same time.
- SPV: UL Listed for special voltage option.

WARRANTY / LISTING

- Five year warranty on all electronics and housing. Battery is pro rated for five years.
- Meets UL924, NFPA 101 Life Safety Code, NEC, OSHA, Local and State Codes.
- UL Listed for damp locations (0°C – 50°C).

DIMENSIONS



ORDERING INFORMATION

Sample Part Number: **PLELRXTEU-1-R-C-A-EM**

MODEL	No. of FACES	LETTER COLOR	PANEL	HOUSING COLOR	BATTERY	OPTIONS
PLELRXTEU	1	Single Face	R Red	C Clear ¹	W White	Blank AC Only
	2	Double Face	G Green	M Mirror	B Black	EM Battery Backup
			W White	A Silver		SDT Self-diagnostics ³
						SPV 208/220/240 Volt, 50/60Hz ²
						Custom Custom Wording
						2C Dual circuit ⁴

1. With single face only
2. Not available with SDT
3. Available in EM units only
4. Available in AC units only

PLELRXTEU Series

Thermoplastic LED Edgelit Exit Sign

ELECTRICAL INFORMATION

CATALOG NUMBER	INPUT WATTS (W)					INPUT AMPS (A)				
	120V	277V	208V	220V	240V	120V	277V	208V	220V	240V
PLELRXTEU-RED/GREEN/EM/SPV	3.6	4.0	3.84	3.9	3.95	0.031	0.020	0.022	0.021	0.020
PLELRXTEU-RED/GREEN 2C/SDT	3.6	4.0	-	-	-	0.031	0.020	-	-	-

Catalog Number:
Notes: