

FEATURES & SPECIFICATIONS

INTENDED USE

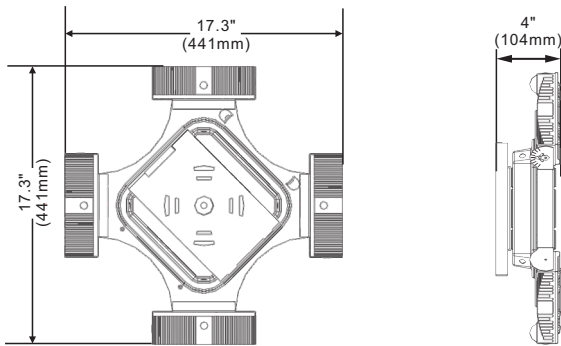
Heavy-duty die-cast construction with modular LED light engine design, this slim-profile luminaire is perfectly used in parking garage, canopy or high ceilings. It provides an easy installation with quick mount structure for contractors to work safely and easily in the confined-space areas.



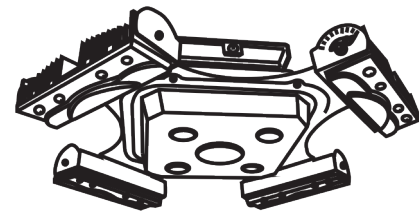
Specification

MA	Input Voltage	CRI	Starting Temp	Recommend Replacement
900MA	120~277V	70+	-40°C	150W MH

Dimensions



Line Drawing

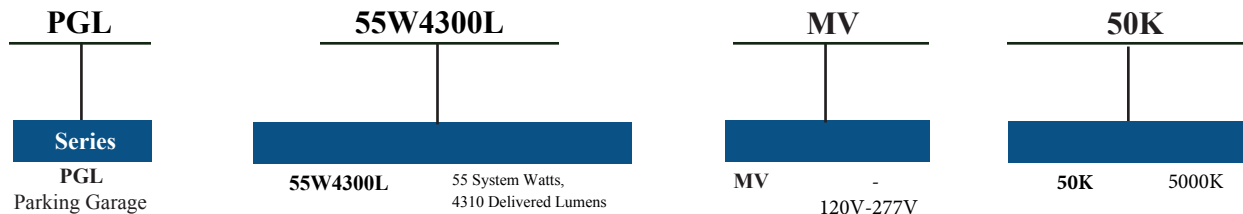


Features

- Solid construction die-cast aluminum body
- UV stabilized power coated finish
- Unique quick mount design
- Compatible with 1-10V dimming
- UL and CUL listed for wet locations
- Optional photo control and motion sensor capability
- Adjustable optics
- Finish - Gray

ORDERING INFORMATION

Example: PGL55W4300LMV50K



Different colors are available with 4 week lead time.

**DISCLAIMER: This test report was produced in accordance with IES LM-79 photometric testing protocol for luminaires, using a single representative test fixture. Actual production units may vary from the values reported here by up to ±10%.



IP65

