



### FEATURES & SPECIFICATIONS

#### INTENDED USE

A linear Wall Downlight fixture for distinctive architectural lighting plans. Ideal for lobbies, bathroom and office areas. LWD Series fixtures can be installed individually or in group patterns.

#### SIZE W x L x H in inches

4ft. - 4.431" x 48" x 5.982"

8ft. - 4.431" x 96" x 5.982"

#### MOUNTING

Fixtures can be Surface Mounted to the ceiling or pendant hung by stem or cable.

#### TYPICAL OPTIONS AND ACCESSORIES

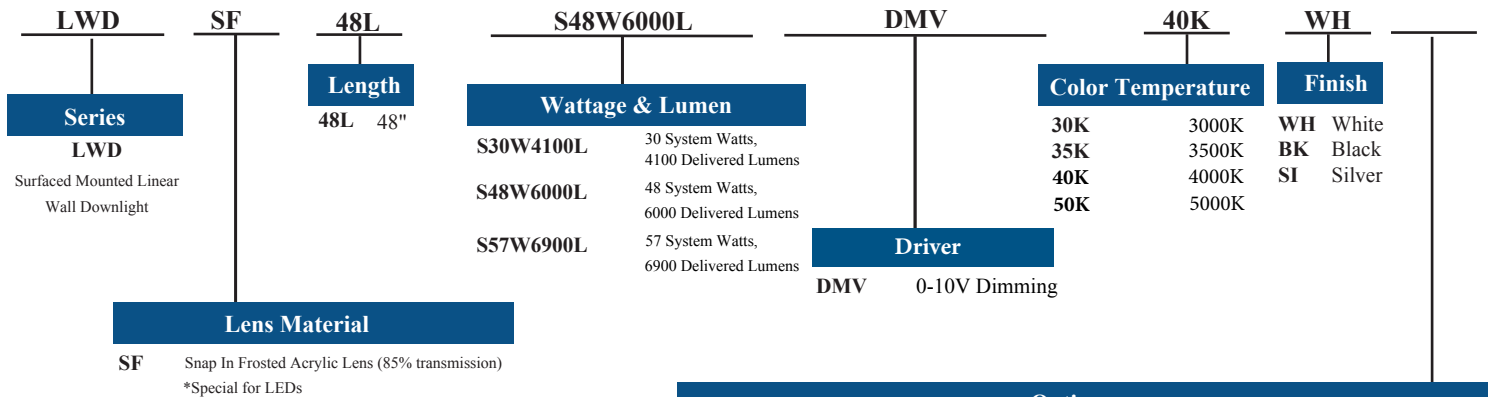
Cord sets, occupancy sensors Hanging kits.

Contact factory for additional options.

### ORDERING INFORMATION

#### 4FT

Example: LWDSF48LS48W6000LDMV40KWH



Options	
<b>P11</b>	3 Wires Harness, Including White, Black and Green.
<b>P12</b>	4 Wires Harness, Including White, Black, Green and Blue for Emergency Battery Backup.
<b>P13D</b>	5 Wires Harness, Including White, Black, Green, Violet and Gray.

#### Notes

\*Custom louvers available in any cell configuration. Consult factory for additional information.

Catalog Number:
Notes:

# LWD Series

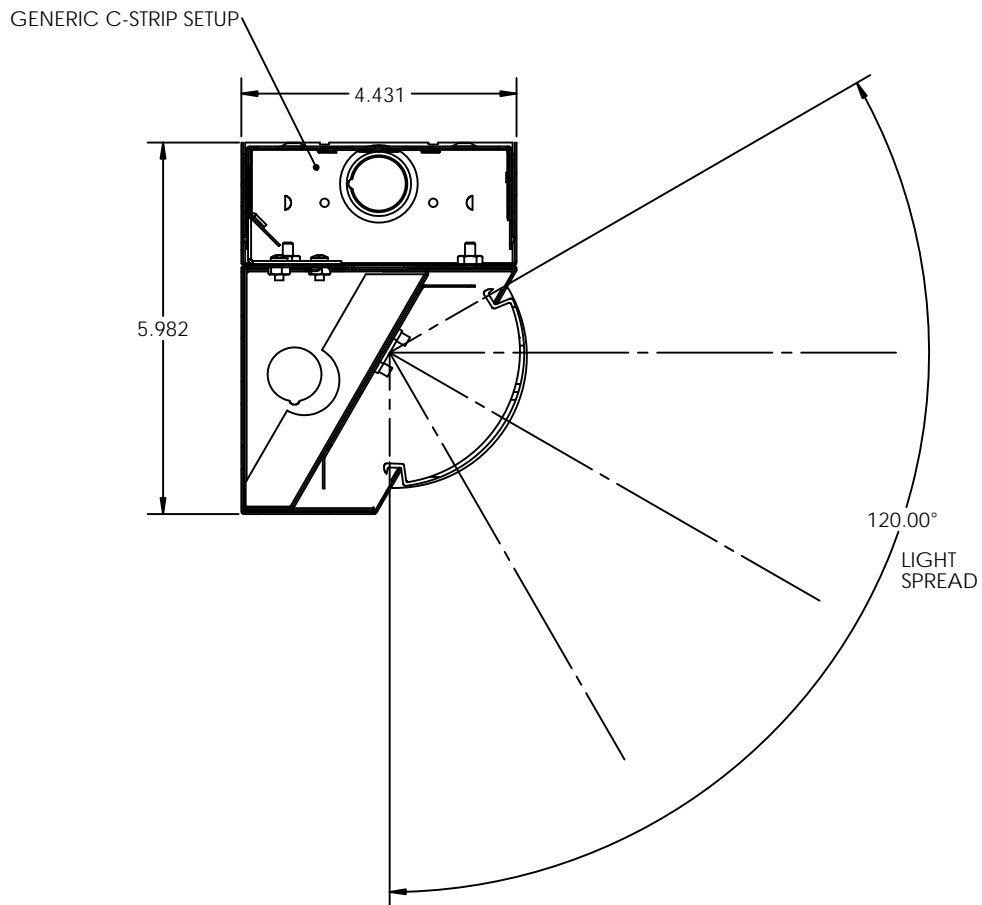
Linear Wall Downlight Fixture



## DIMENSIONS

All dimensions are inches. Specifications subject to change without notice

## Surfaced Mounted Drawing



Catalog Number:
Notes: