

LVS Series

Modern Louvered Industrial Strip



FEATURES & SPECIFICATIONS

INTENDED USE

A direct/indirect lighting fixture that makes a bold statement, complementing design elements such as stone, metal, brick and glass. Industrial look provides a modern aesthetic. Available with slots in reflector for indirect light or solid reflector. Available standard in galvanized steel finish or powder coated black. Mounts with cable kit. Louver is matte silver anodized parabolic.

SIZE W x L x H in inches (mm)

8.0W x 49.0L x 6.5H

LAMP

2 lamp positions, Available in T8 and T5

HOUSING

Die-formed cold rolled steel body with heavy duty construction. Mates with Parabolic louver.

LOUVER

Matte silver anodized, parabolic. with optional slots on the side of louver. End cap complete the finished louvered look.

MOUNTING

Fixtures can be surface mounted to the ceiling or pendant hung by stem or cable. Welded heavy gauge steel flanges can be ordered to accept 3/8" threaded stems. Alignment brackets are available for continuous row mounting.

LISTING

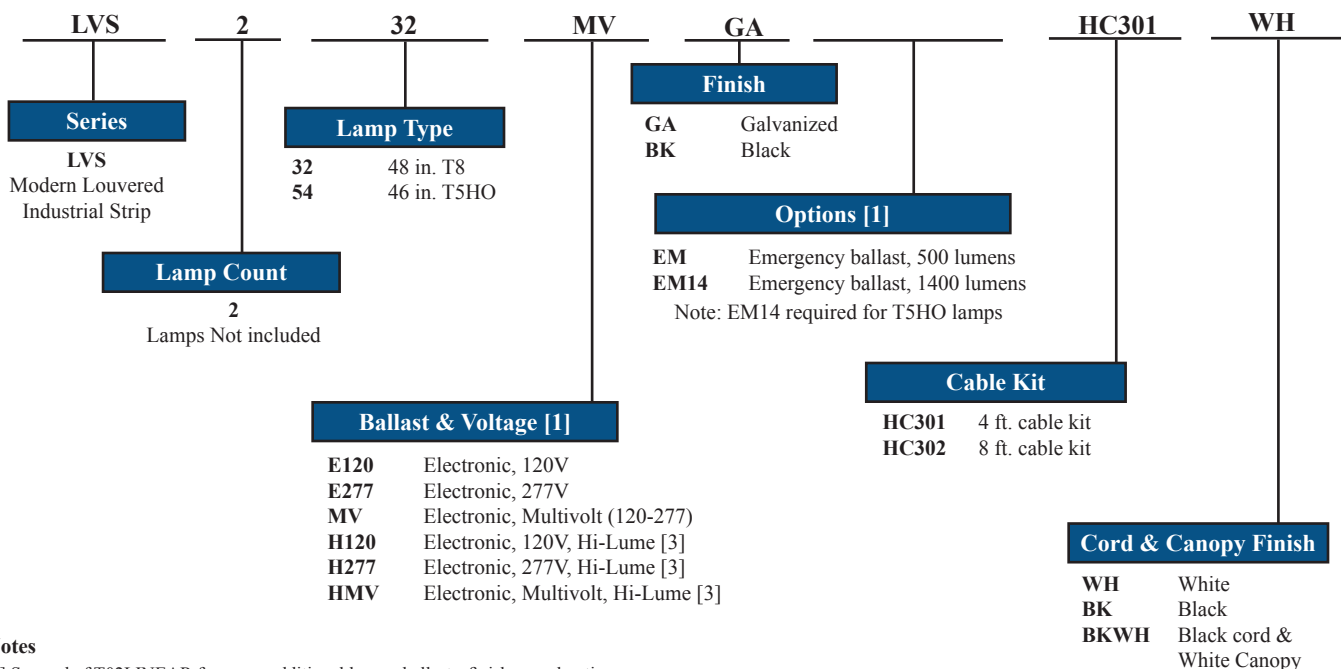
Fixtures conform to Underwriters' Laboratories standards for production and are carefully tested prior to packing.

TYPICAL OPTIONS AND ACCESSORIES

Emergency ballasts, Cord sets, whips, occupancy sensors Hanging kits, Wire guards. Contact factory for additional options.

ORDERING INFORMATION

Example: LVS232MVGA-HC301WH



Notes

- [1] See end of T02LINEAR for many additional lamps, ballasts, finishes, and options.
- [2] Custom louvers available in any cell configuration. Consult factory for additional information.
- [3] HiLume and LoLume ballasts available for T8 lamps only.