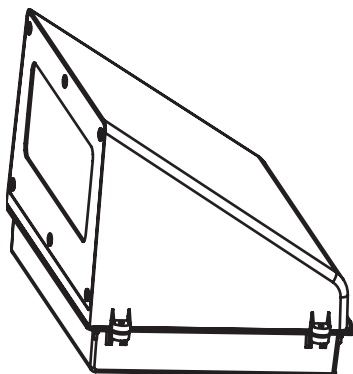


INSTALLATION INSTRUCTIONS DCC150,250 Series



3. Drill appropriate knockouts from back box for wiring access.

For 1/2" conduit entry from behind or mounting over 3" or 4" octagonal junction box:

1. Remove 1/2" knockout or punch/drill out appropriate knockouts for junction box mounting.
2. Apply a high quality silicone caulk around perimeter of housing. Mount back box to junction box or wall using customer supplied fasteners.
3. Replace front housing.

For 1/2" conduit entry from sides or top:

1. Remove appropriate conduit plug.
2. Fixture is best mounted by drilling through back of fixture securing it to the mounting surface using the appropriate mounting hardware for the surface. Mounting hardware supplied by others. When drilling holes, do not drill within 1/4" (6.4 mm) from edges of fixture. Prior to attaching to mounting surface, apply a high quality silicone caulk around perimeter of fixture.
3. Feed conduit to the desired hole. Caulk at conduit entry location to prevent water entry.
4. Replace front housing.



CAUTIONS

IMPORTANT SAFEGUARDS

When using electrical equipment, basic safety precautions should always be followed including the following:

READ AND FOLLOW ALL SAFETY INSTRUCTIONS

1. **DANGER-** Risk of shock- Disconnect power before installation.
2. This luminaire must be installed in accordance with the NEC or your local electrical code. If you are not familiar with these codes and requirements, consult a qualified electrician.

SAVE THESE INSTRUCTIONS FOR FUTURE REFERENCE

FIXTURE WIRING

NOTE: Use UL approved connectors to make connections.

1. Connect the black fixture lead to the voltage supply lead.
2. Connect the white lead to the common supply lead.
3. Connect the green or green/yellow ground lead to the supply ground lead.
4. Close fixture and tighten (4) screws that were loosened in Step 2 of the Installation section.

Notes:

1. Only use in 120~277V applications.
2. Use only approved connectors to make electrical connections.

INSTALLATION

NOTE: Do not touch the yellow portion of the LED array. Damage may occur.

1. Do not wire fixture until fixture is mounted.
2. Remove front housing by loosening (4) screws. Swing front housing open and lift upward to remove from back box.

LED-DCC150,250
BWE REV 0