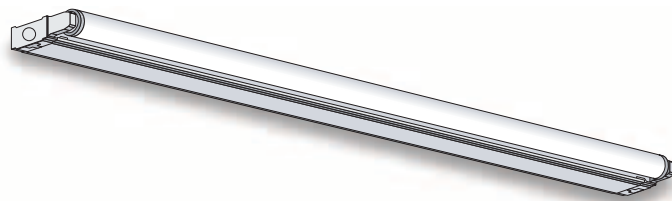


Series KDSM

Mini Body Side Mount Strip



FEATURES & SPECIFICATIONS

INTENDED USE

Specification grade, side mount mini body strip for size critical applications such as display cabinets, coves, and other areas where space is at a premium. Available with T5 and T5HO.

SIZE W x L x H in inches (mm)

1.62W x 1.62H (40 x 40)

Fixture length = lamp(s) length

LAMP

1, 2, or 3 lamp positions.

MATERIALS & FEATURES

Housing is die-formed and embossed code 22 gage steel. Finish is high reflectance baked white enamel. Wiring knockouts are provided on back, side, and end of housing. Ballast covers attach without tools to simplify ballast access.

SEE KDS for single top mount mini body strips

- T5 and T5HO lamp styles.
- Multiple lamp positions to match lighting application

MOUNTING

Surface mount, chain hung, double stem. See end of chapter T02Strip for accessory mount kits.

LISTING

Fixture and Ballast: UL Listed.

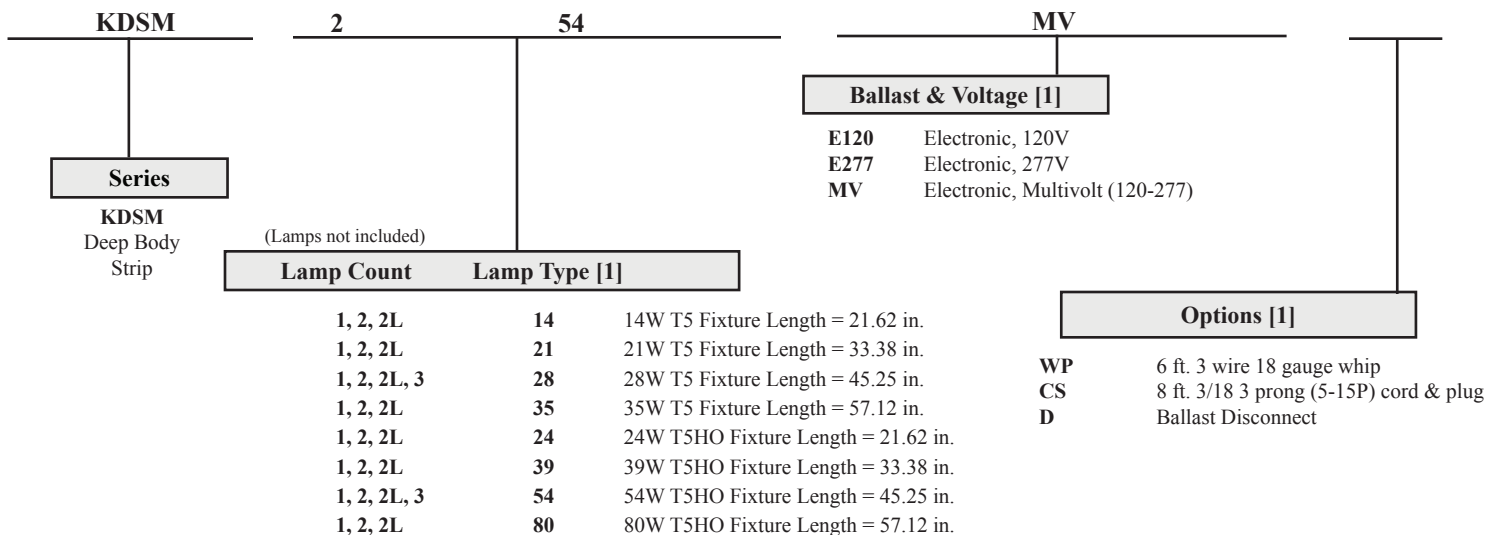
Ballast: Thermally protected, class P, HPF, Non PCB; unless specified otherwise.

TYPICAL OPTIONS AND ACCESSORIES

Whips, fuses, and cord sets. See options page at the end of the T02Strip section, or contact factory for more details.

ORDERING INFORMATION

Example: **KDSM 2 54 MV**



Notes

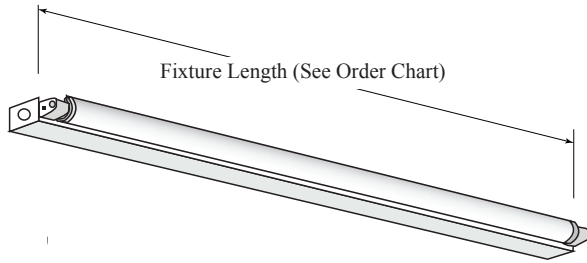
[1] See end of T02Strip section for many additional lamps, ballasts, finishes, and options.

[2] 3 lamp configuration available in 45in model only.

[3] Custom reflectors available to create any light distribution.

Series KDSM

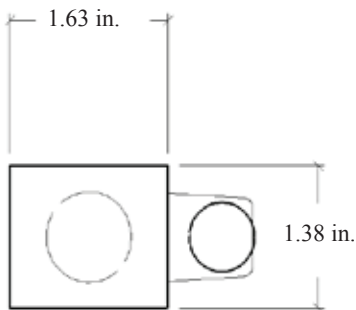
Mini Body Side Mount Strip



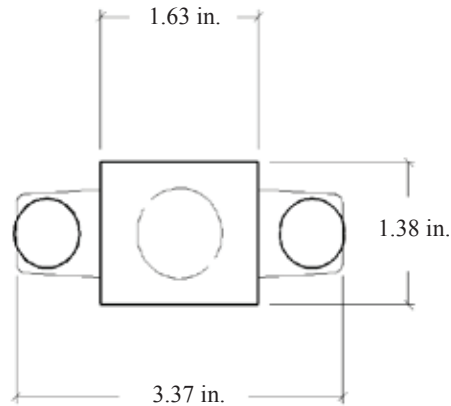
DIMENSIONS

All dimensions are inches. Specifications subject to change without notice.

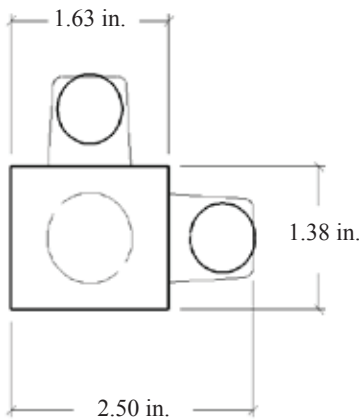
Lamp Count 1



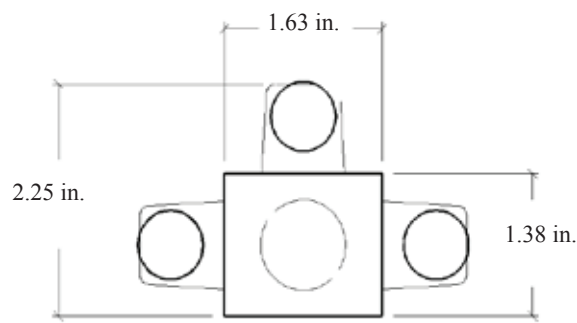
Lamp Count 2



Lamp Count 2L



Lamp Count 3



*Available in 28 & 54W models only.