

Series K

Deep Body Strip



FEATURES & SPECIFICATIONS

INTENDED USE

Heavy duty specification grade, deep body strip for interior warehouse, retail, and utility areas requiring general illumination in an industrial quality strip configuration.

SIZE W x L x H in inches (mm)

4.25W x 2.50H x 48.0L (110 x 65 x 1220)

4.25W x 2.50H x 96.0L (110 x 65 x 2440)

LAMP

2 lamp positions.

MATERIALS & FEATURES

Housing is die-formed and embossed heavy duty 20 gage steel. Finish is high reflectance baked white enamel. Wiring knockouts are provided on back and end of housing. Ballast cover snap fits; no tools required for ballast access.

See KL Series for similar fixtures with reflectors.

- Heavy duty gage and depth for industrial environments
- Single unit length and tandem fixtures available in most lamp styles.
- End plate doubles as coupler for continuous row mounts.

MOUNTING

Surface mount, chain hung, double stem. See end of chapter T02Strip for accessory mount MATERIALS & FEATURES kits.

LISTING

Fixture and Ballast: UL Listed.

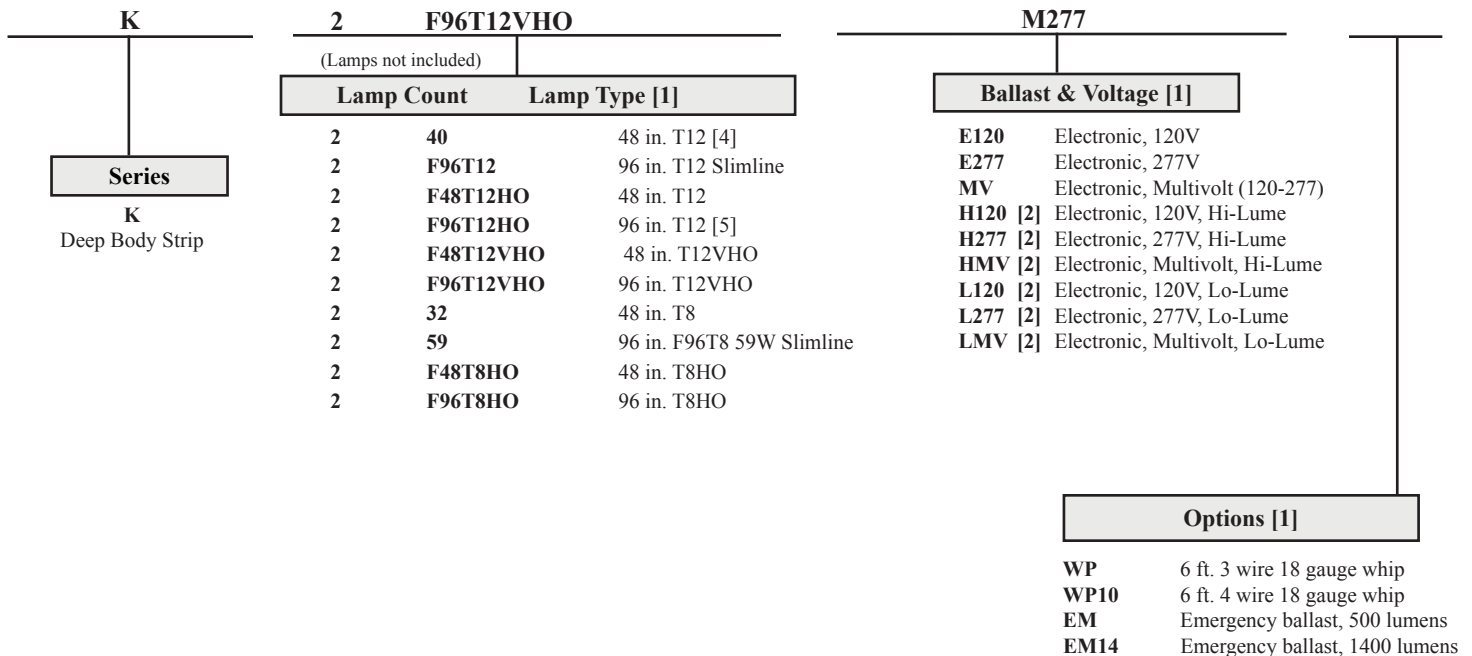
Ballast: Thermally protected, class P, HPF, Non PCB; unless specified otherwise.

TYPICAL OPTIONS AND ACCESSORIES

Emergency ballasts, whips, fuses, and cord sets. See options page at the end of the T02Strip section, or contact factory for more details.

ORDERING INFORMATION

Example: **K2F96T12VHOM277**



Notes

[1] See end of T02Strip section for many additional lamps, ballasts, finishes, and options.

[2] HiLume and LoLume ballasts available for t8 lamps only.

Series K

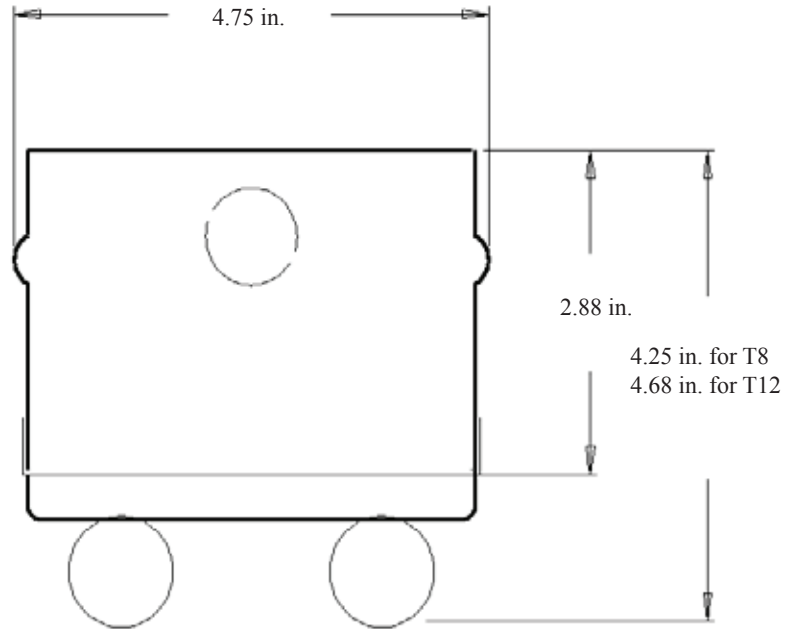
Deep Body Strip

DIMENSIONS

All dimensions are inches. Specifications subject to change without notice.



2 Light



4 Light

