

Series ISS

LED Indirect Suspended Strip (Linear Pendant)

ISS Series indirect pendant LED luminaires are unique, sleek and stylish. Their sophisticated, graceful shape enhances the beauty of spaces and makes a statement. Ideal for either applications requiring even illumination or for controlled task lighting with indirect distributions. Available in modular lengths of 4 or 8 feet for individual cable mounting, or can be joined together in longer continuous runs. When used stand alone, it will be equipped with end caps. If joining fixtures together, specify each fixture as either the Beginner, Joiner or End fixture. For continuous runs, the wiring feeds through an enclosed wire-way.

CONSTRUCTION

Die-formed 22-gauge cold rolled steel. Welded end caps are 18-gauge steel construction. Option for continuous run end caps allows for end to end joining and easy wiring. Housing is specially designed for indirect lighting.

TYPICAL OPTIONS & ACCESSORIES

Cord sets, whips, occupancy sensors, hanging kits, etc. Available in white, silver or black standard finish. RGBW option also available. Contact factory for more details.



DIMENSIONS

48L: 48"L x 11"W x 8.2"H

96L: 96"L x 11"W x 8.2"H

FEATURES & BENEFITS

- Attractive source of indirect lighting for use in retail, supermarket and commercial applications; progressive option for offices, hallways/circulation spaces and conference rooms
- Can be pendant hung by engineered hanging kit
- High quality white powder coat steel provides a minimum of 95% reflectivity
- Available in white, silver or black standard finish; contact factory for custom finish options
- Emergency Battery Backup is available
- 80 CRI standard (90 optional)
- Four color temps available (3000K, 3500K, 4000K, 5000K); consult factory for RGBW option
- Suitable for dry or damp location
- 50,000 hrs of L70 LED life
- CRI >80
- Power Factor 0.99
- >100 lm/w
- 0-10V dimming or TRIAC dimming
- 5 year warranty



Texas Fluorescents
Reinvented

CATALOG#: _____
PROJECT: _____
TYPE: _____

Series ISS

LED Indirect Suspended Strip
(Linear Pendant)

PRODUCT NUMBERS

SERIES	LENS MATERIAL	LENGTH	W		L	DRIVER	COLOR	
			WATTAGE & LUMENS					
ISS LED Indirect Suspended Strip	BLANK	48L 48"	Q42W5000L	42 Watts 5000 Lumens	DMV G120	0-10V dimming ELV/TRIAC dimming at 120V only	30K	3000K 80 CRI
	ST Slots on the housing with 7% uplight distribution	96L 96"	Q90W10000L	90 Watts 10000 Lumens			35K	3500K 80 CRI
							40K	4000K 80 CRI
							50K	5000K 80 CRI
							930K	3000K 90 CRI
							935K	3500K 90 CRI
							940K	4000K 90 CRI
							950K	5000K 90 CRI

FINISH		CONFIGURATION		OPTIONS	
WH	White	Blank	Individual	HC804WH	Cable kit with 4' cable & 5 wires power feed/cable incl., white cord and white canopy (included power feed and non-power feed)
BK	Black	-B	Beginner Run	HC804WHNPF	Cable kit with 4' cable & white canopy, non power feed (non-power feed only)
SI	Silver	-E	Ender Run	HC812WH	Cable kit with 12' cable & 5 wires power feed/cable incl., white cord and white canopy (included power feed and non-power feed)
		-J	Joiner	HC812WHNPF	Cable kit with 12' cable & white canopy, non power feed (non-power feed only)
				PI1	3 wires harness, including white, black and green
				PI2	4 wires harness, including white, black, green and blue for emergency battery backup
				PI3D	5 wires harness, including white, black, green, violet and gray

Note:

*Programmable LED drivers allow custom configured wattages and corresponding lumens.

We reserve the right to change design, materials, LED's and finish in any way that will not alter installed appearance or reduce function and performance.

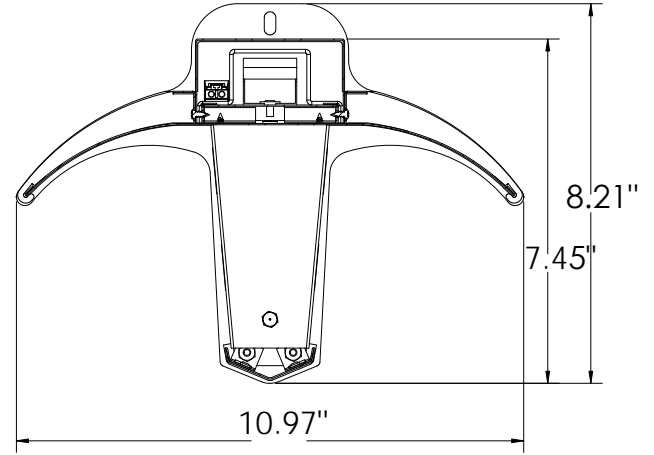
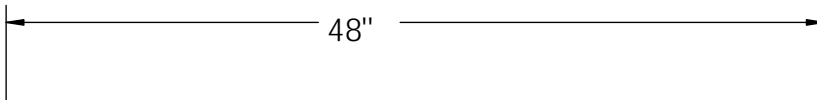
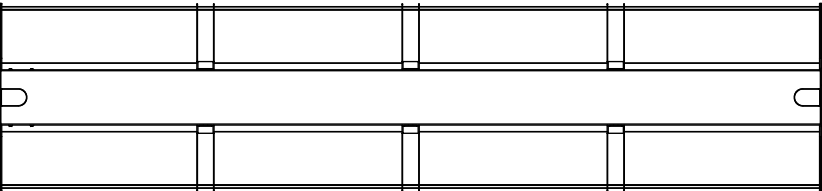
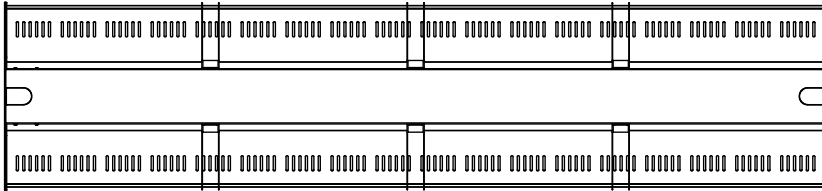
2055 Luna Road Suite 142 | Carrollton, TX 75006

REV 5/19/2020

T 214.884.1150 | F 972.247.0200 | sales@saylite.com

DRAWINGS AND DIMENSIONS

4FT



8FT

