

SERIES IDFP LED Internal Driver Flat Panel

APPLICATIONS

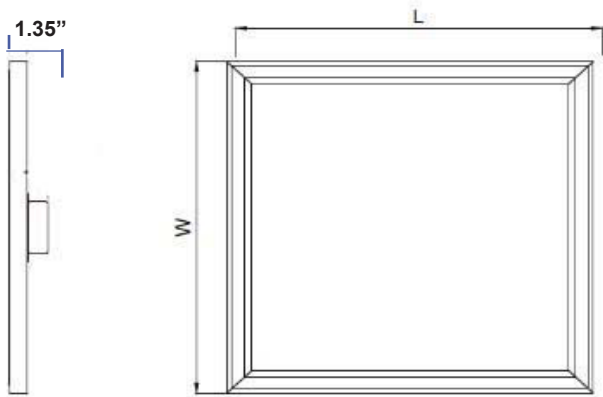
This new Edgelit Flat Panel provides comfortable, abundant lighting from a very thin and modern design. The MFPELD features an internal driver panel. These panels are an ideal choice for many applications including offices and circulation spaces. It is also now popular in residential kitchen and bathroom remodels to create a skylight appearance.

FEATURES & BENEFITS

- 90% uniformity across the emitting surface
- High quality LED chips with 9000 hours LM-80 certification
- High efficacy up to 130LPW
- 50,000 hours long life
- High quality aluminum LED board for thermal dissipation
- 0-10V dimmable
- Earthquake clips

DIMENSIONS:

- 2x2 - 23.75"W x 23.75"L
- 1x4 - 11.75"W x 47.75"L
- 2x4 - 23.75"W x 47.75"L



Front View

Back View

ORDERING INFORMATION

EXAMPLE: IDFP22LED40DMVWH40

IDFP			Wattage/Lumens		
Series	Type	Gear	Wattage/Lumens		
IDFP Internal Driver Flat Panel	22 2 x 2	LED	40	40 Watts	5380 Lumens
	14 1 x 4		40	40 Watts	5380 Lumens
	24 2 x 4		50	50 Watts	6250 Lumens

Driver	Finish	Kelvin Temperature	
DMV 0-10V Dimmable, 120-277V	WH White	35	3500K
		40	4000K
		50	5000K

Catalog Number:
Notes: