



Texas Fluorescents
Reinvented

CATALOG#: _____
PROJECT: _____
TYPE: _____

Series HRH

ROUND HIGH-OUTPUT LED HIGH BAY



Introducing the Series HRH industrial, round high-output LED high bay, styled to match conventional, symmetrical HID high bays. Superior lumen maintenance for greater longevity and lower relamping/maintenance costs than HID. Higher efficiency compared with the HID fixtures they replace, and even moreso combined with an optional motion sensor. Glare-free, modern, stylish look for wide area lighting.

CONSTRUCTION

High-purity aluminum alloy material reduces overall weight for ease of installation at under 18 pounds. Multiple-finned heat sink improves heat dissipation with excellent thermal conductivity and fast cooling. Temperature-resistant condenser lens for evenly dispersed light.

MOUNTING

Suitable for Hook or 3/4" Conduit pendant mounting.

TYPICAL OPTIONS & ACCESSORIES

Contact factory for custom options. Optional motion sensor.

DIMENSIONS

24.25"Dia x 4.763"H

FEATURES & BENEFITS

- Bronzed finished, round hook or pendant mount industrial high bay
- Efficacy of $\geq 160\text{lm/W}$, designed to replace 750W and 1000W HID while consuming only 250W and 340W
- 120 degree lens guarantees light intensity and light uniformity
- Open the drive compartment cover from below to facilitate inspection and assembly
- Hook(default included) or Conduit pendant way for different applications
- Shock and vibration-resistant LED fixture
- Optional motion sensor for additional energy savings
- Acceptable operating temperature range for 250W and 340W fixtures is -40°C to 55°C (-40°F to 131°F); at 200W and 300W settings, the acceptable range is -40°C to 65°C (-40°F to 149°F)
- Emergency battery backup option available
- UL Rated for wet location
- 5 Year Warranty



PERFORMANCE DATA

SYSTEM WATTS	VOLTAGE	4000K(70CRI)		5000K(70CRI)		Temperature
		LUMENS	LPW	LUMENS	LPW	
200W	120-277VAC	32300lm	162lm/W	32800lm	164lm/W	-40°C to 65°C
200W	347-480VAC	32500lm	163lm/W	33000lm	165lm/W	-40°C to 65°C
250W	120-277VAC	40000lm	160lm/W	40100lm	160lm/W	-40°C to 55°C
250W	347-480VAC	40300lm	161lm/W	41000lm	164lm/W	-40°C to 55°C
300W	120-277VAC/347-480V	48500lm	162lm/W	49500lm	165lm/W	-40°C to 65°C
340W	120-277VAC/347-480V	54300lm	160lm/W	55500lm	163lm/W	-40°C to 55°C

ORDER INFORMATION

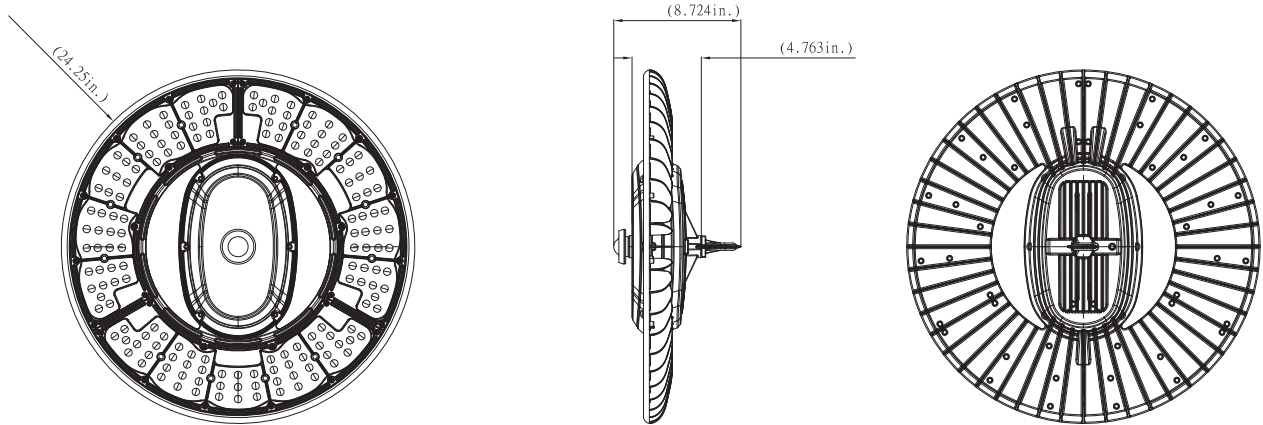
ITEM NUMBERS	INPUT VOLTAGE	WATTS	LUMENS	FINISH	COLOR TEMP	DIMENSIONS
HRH24L200W32800LMV50KBZ	120V-277V	200	32800	Bronze	5000	24.25" Dia x 4.763"H
HRH24L200W33000L480V50KBZ	347V-480V	200	33000	Bronze	5000	24.25" Dia x 4.763"H
HRH24L250W40100LMV50KBZ	120V-277V	250	40100	Bronze	5000	24.25" Dia x 4.763"H
HRH24L250W41000L480V50KBZ	347V-480V	250	41000	Bronze	5000	24.25" Dia x 4.763"H
HRH24L300W49500LMV50KBZ	120V-277V	340	49500	Bronze	5000	24.25" Dia x 4.763"H
HRH24L300W49500L480V50KBZ	347V-480V	250	49500	Bronze	5000	24.25" Dia x 4.763"H
HRH24L340W55500LMV50KBZ	120V-277V	340	55500	Bronze	5000	24.25" Dia x 4.763"H
HRH24L340W55500L480V50KBZ	347V-480V	250	55500	Bronze	5000	24.25" Dia x 4.763"H

*Consult factory for EM options

**Sensor options are Wattstopper FSP211 for 120-277V and FSP202 for 480V which can be programmed with a remote.

Remote is FSIR-100 and one per job is recommended.

DRAWINGS & IMAGES



Weight:
250W: 16.27lbs
340W: 17.57lbs



Line Voltage High/Low/Off PIR Integrated Outdoor Photo/Motion Sensor

- provides multi-level control based on motion and/or daylight contribution. It controls 0-10 VDC LED drivers or dimming ballasts, as well as non-dimming ballasts and, with an FSP-Lx Lens, is rated for wet and cold locations. All control parameters are adjustable via a wireless configuration tool capable of storing and transmitting sensor profiles.
- sensor ramps lighting On to the selected High mode level when motion is detected and the ambient light level is below the hold off setpoint. After the sensor stops detecting movement and the time delay elapses, lights fade to the Low mode level. If there is no motion during the subsequent cut off time delay, the lights will turn Off. For dusk to dawn control, the integral photocell can switch the lights On and Off based on the ambient light level so that lighting remains on overnight even without motion detection.