

## HOTBD Series

Coordinated design in surface  
fluorescent close-to-ceiling wall and vanity

### HOUSING

Die-formed Cold-rolled Steel

### DIFFUSER

Linear sided prismatic lens of extruded acrylic



### EFFICACY

Meet California 2005 Title 24 Standard

### CERTIFICATION

UL, cUL Listed, Energy Star Listed

### SIZE

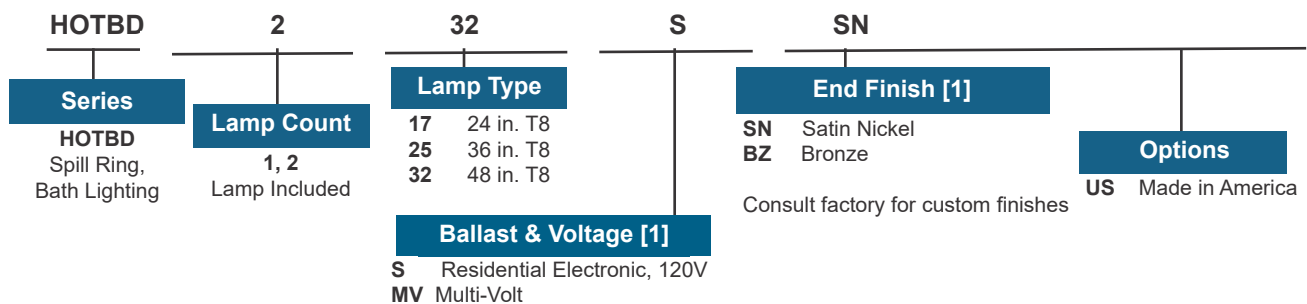
F17T8 - 24.75L x 6.0W x 4.25H

F25T8 - 36.75L x 6.0W x 4.25H

F32T8 - 48.60L x 6.0W x 4.25H

### ORDERING INFORMATION

Example: HOTBD225SSN



### LED VERSION

Item Number	Dimensions ( L x W x H )	Lamping
HOTBD24L23W2195LMVSN30K	24.50" X 5.7" X 4.5"	23W, 2195 Lumens, 3000K
HOTBD36L34W3260LMVSN30K	36.50 " X 5.7" X 4.5"	31W, 3260 Lumens, 3000K
HOTBD48L48W4590LMVSN30K	48.50 " X 5.7" X 4.5"	48W, 4590 Lumens, 3000K

Change to 40K for 4000K units. Check for availability on others.

NOTE: Specifications and dimensions subject to change without notice. Consult your Texas Fluorescent Lighting Representative for availability and ordering information.