



Texas Fluorescents
Reinvented

GSC Series

20" LED Gas Station Canopy

FEATURES & SPECIFICATIONS

Housing:

Die Cast Aluminum Housing with IP65 Driver Compartment, White Powdercoat Finish Over a Chromate Conversion Coating.

Listing & Ratings:

CSA: Listed for Wet Locations, ANSI/UL 1598, 8750
IP66 Sealed LED Compartment.

Lens:

Tempered Clear Flat Glass Lens

Mounting:

Recessed Mount

LumaFit LED:

Delivered Lumens: 29,677

CRI: 80+

CCT: 5000K

Rated Life: 50,000 Hours

Aluminum Boards

Wattage:

Array: 185.9w; System: 204w

Driver:

Electronic Driver, 120-277V, 50/60Hz

Dimmable Driver

Warranty:

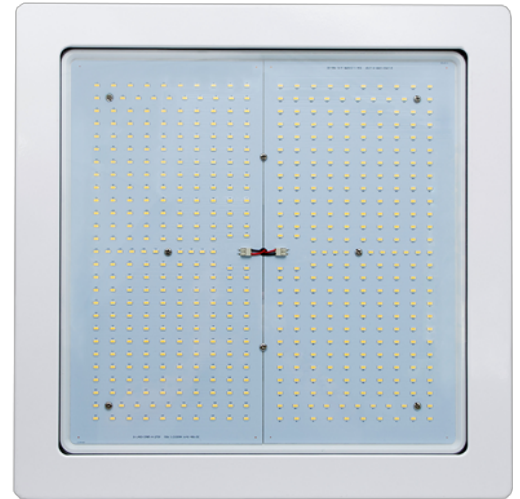
5-Year Warranty for -40°C to +50°C Environment.

LM-79 Report Available on Select Models.

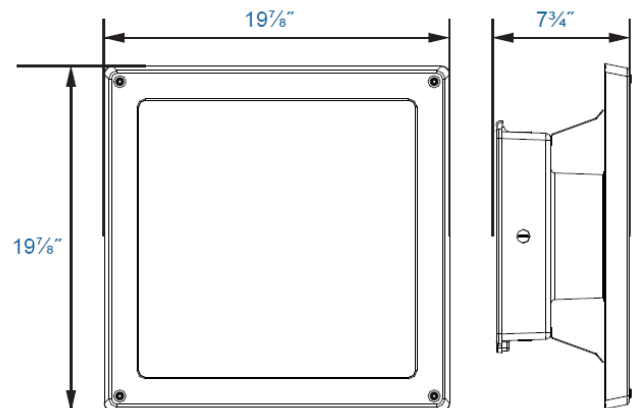
Options:

Surge Protection

Custom Colors Available Upon Request.



Dimensions



ORDERING INFORMATION

PART NUMBER

GSC20L204W27300LDMV50KWH

DESCRIPTIONS

Gas Station Canopy, 19.875"L x 19.875"W x 7.75"H,
204W / 27301Lm, 5000K, White Finish