

INSTALLATION INSTRUCTIONS FOR THE EWW SERIES FIXTURE - GRID MOUNT

APPLICATION: Wall Wash Lighting



STOP! - READ THIS FIRST! - IMPORTANT SAFETY INSTRUCTIONS!

- For information on how to recycle LED/Fluorescent electronic products, please visit www.epa.gov.
- Do not install damaged product. This fixture is properly packed to prevent damage during transit.
- All wiring connections should be capped with UL approved recognized wire connectors.
- Do not touch LED diodes or any connecting clips; these parts are very sensitive.
- Do not exceed maximum wattage marked on fixture label.

| | |
|--|--|
| Carefully read the instructions pertaining to your fixture thoroughly. IF YOU HAVE ANY QUESTIONS REGARDING THE PROPER INSTALLATION OR LOCAL CODES, CONSULT A QUALIFIED ELECTRICIAN. | Injury to persons and damage to the fixture and/or mounting surface may occur if the fixture is pulled from the surface. To reduce risk of injury or damage, mount only to a mechanically sound surface. |
| Both cord set and hard wired fixtures are intended for connection to a grounded, three-wire source of supply. | Install and wire the fixture in locations in accordance with all national, state and local codes. |
| Do not install outdoors or in applications other than intended use. | To avoid shock hazard, do not work with live electrical wires. |
| Ensure fixture is properly grounded before testing. | This fixture is intended for dry applications only. |



WARNING: THIS PRODUCT MUST BE INSTALLED IN ACCORDANCE WITH THE APPLICABLE INSTALLATION CODE BY A PERSON FAMILIAR WITH THE CONSTRUCTIONS AND OPERATIONS OF THE PRODUCT AND THE HAZARDS INVOLVED.



WARNING: RISK OF FIRE; MINIMUM OF 90°C SUPPLY CONDUCTOR SHOULD BE USED. CONSULT A QUALIFIED ELECTRICIAN TO ENSURE CORRECT BRANCH CIRCUIT CONDUCTOR.




WARNING: TO AVOID ELECTRIC SHOCK HAZARD, DISCONNECT THE POWER AT THE PANEL BOARD (CIRCUIT BREAKER BOX) BEFORE BEGINNING INSTALLATION.



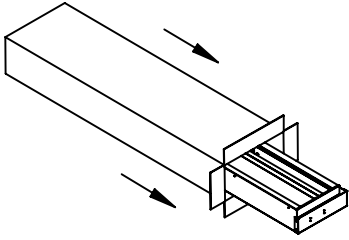
WARNING: TO AVOID FIRE HAZARD RISK, WHEN INSTALLING HARD WIRED UNITS, BE AWARE IF SUPPLY WIRES ARE LOCATED WITHIN THREE INCHES OF BALLAST. IF SO, USE WIRE RATED FOR AT LEAST 90°C (194°F). IF UNSURE, CONSULT A QUALIFIED ELECTRICIAN BEFORE INSTALLING.

1



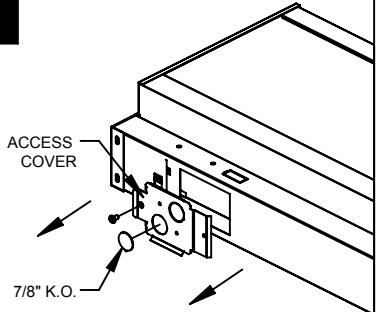
REMINDER: TO AVOID ELECTRIC SHOCK HAZARD, DISCONNECT THE POWER AT THE PANEL BOARD (CIRCUIT BOX) BEFORE BEGINNING INSTALLATION!

2



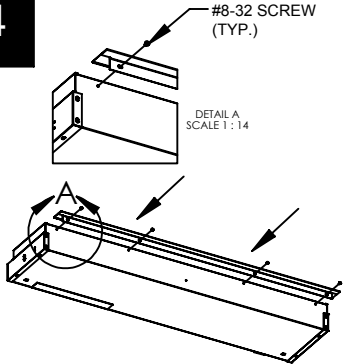
Carefully remove fixture from packaging. Use gloves to prevent dirt and oils from transferring to the unit. Inspect the fixture for any defects before proceeding.

3



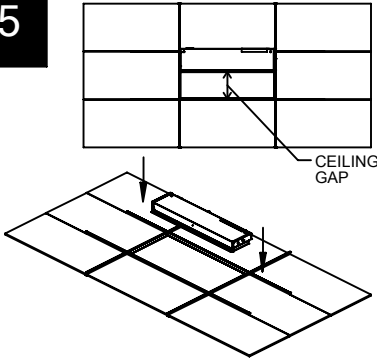
Remove the access cover from the fixture by removing the #8-32 screw. Remove the desired 7/8" knock out.

4



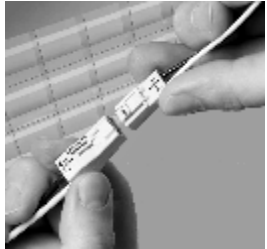
Install the T-BAR bracket to the fixture as shown. Secure with (4) #8-32 x .25" screws.

5



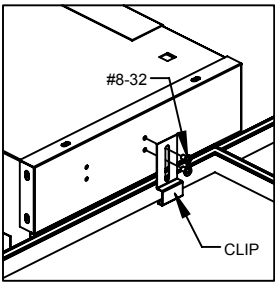
Place the fixture in the grid. Slide the fixture all the way to one side of the opening, creating a gap.

6



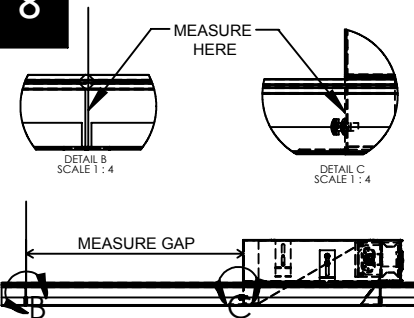
Install the lamp. Connect the fixture to the incoming supply using the quick clip (or approved wire connectors). Always follow all local, state and national codes. Test the fixture.

7



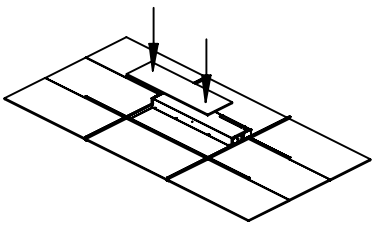
Place the earthquake clip over the grid. Secure with (2) #8-32 screws. Repeat for the opposite end.

8



Measure the gap between the inside of the T-BAR, and the inside of the T-BAR bracket. Cut a panel to the same width.

9



Close the ceiling by placing the cut panel in the grid. Install is now complete.